



Cargo Management

INSTALLATION INSTRUCTIONS & OPERATION MANUAL

LB20 SPRING ASSIST KITS

LIFT ASSIST KITS- 78425A01 (250LBS)

78425A08 (200LBS)

78425A10 (150LBS)

78425A12 (100LBS)



Link Mfg. Ltd.
223 15th St. N.E.
Sioux Center, IA USA
51250-2120

(712) 722-4868
Fax (712) 722-4779

**QUESTIONS?
CALL CUSTOMER
SERVICE
1-800-248-3057
www.linkmfg.com**

Application: Fits LB20 ramps.

IMPORTANT: IT IS IMPORTANT THAT THE ENTIRE INSTALLATION INSTRUCTIONS BE READ THOROUGHLY BEFORE PROCEEDING WITH LIFT ASSIST INSTALLATION.

1. INTRODUCTION

Thank you for choosing a Link Cargo Management Products Lift Assist. We want to help you to get the best results from the ramp and to operate it safely. This manual contains information to assist you with its installation. The manual is intended solely for use with this product.

All information in this manual is based on the latest information available at the time of printing. Link Manufacturing reserves the right to change its products or manuals at any time without notice. Contact Link CMP at (800) 248-3057 for information on recent changes to products.

Damaged components should be returned to Link with a pre-arranged Returned Goods Authorization (RGA) number through the Customer Service Department. The damaged component may then be replaced if in compliance with warranty conditions.

2. SAFE WORKING PRACTICES:

⚠ CAUTION

- Wear appropriate gloves, eyeglasses, ear protection, and other safety equipment when handling parts.
- Practice safe lifting procedures. Consider size, shape, and weight of assemblies. Obtain help or the assistance of a crane when lifting heavy assemblies. Make certain the path of travel is clear.

3. INSTALLATION GUIDELINES

- 3.1. In order for this Lift Assist to operate properly, it must operate in the parameters specified by Link.
- 3.2. The installer must verify the Ramp is configured properly for the Lift Assist installation.
- 3.3. No alteration of any Link Ramp or List Assist components are permitted without proper authorization from a qualified Link personnel.

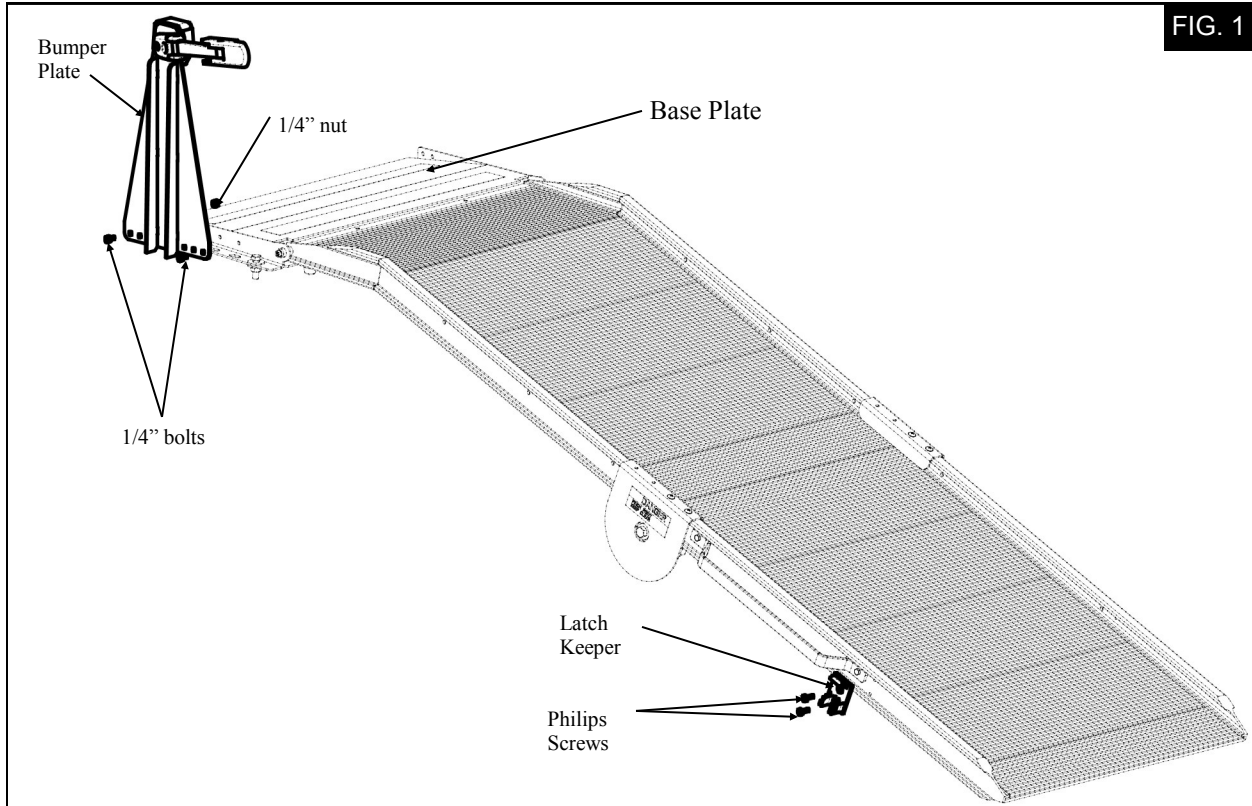
⚠ WARNING

- Proper tightening of fasteners is important to the performance and safety of this product.
- Make certain the vehicle is in placed in park on a flat surface, and the parking brake is engaged.

Review the **Parts List** on **Page 5** to become familiar with the different components of the Ramp Lift Assist. Be sure all items were included before beginning assembly.

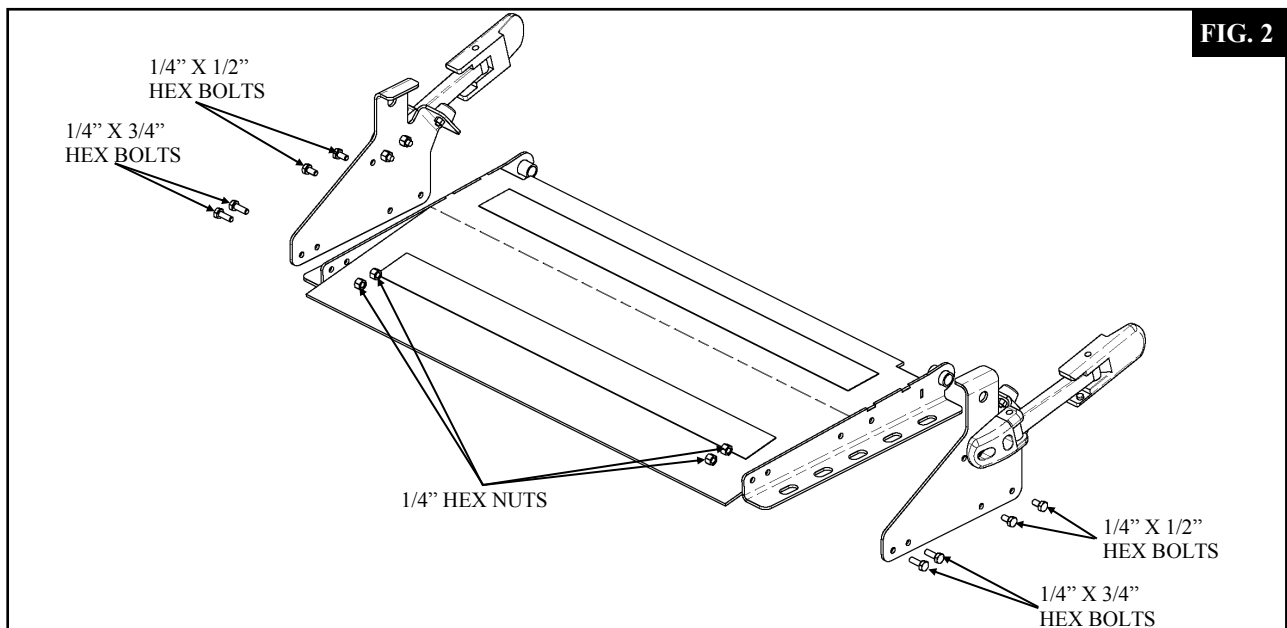
Removal of Bumper Plate

- A. Lower ramp onto the ground.
- B. Remove the two 1/4" bolts that hold the bumper plate to the side of the base plate.
- C. Remove the two Philips screws that hold the latch keeper to the side of ramp.

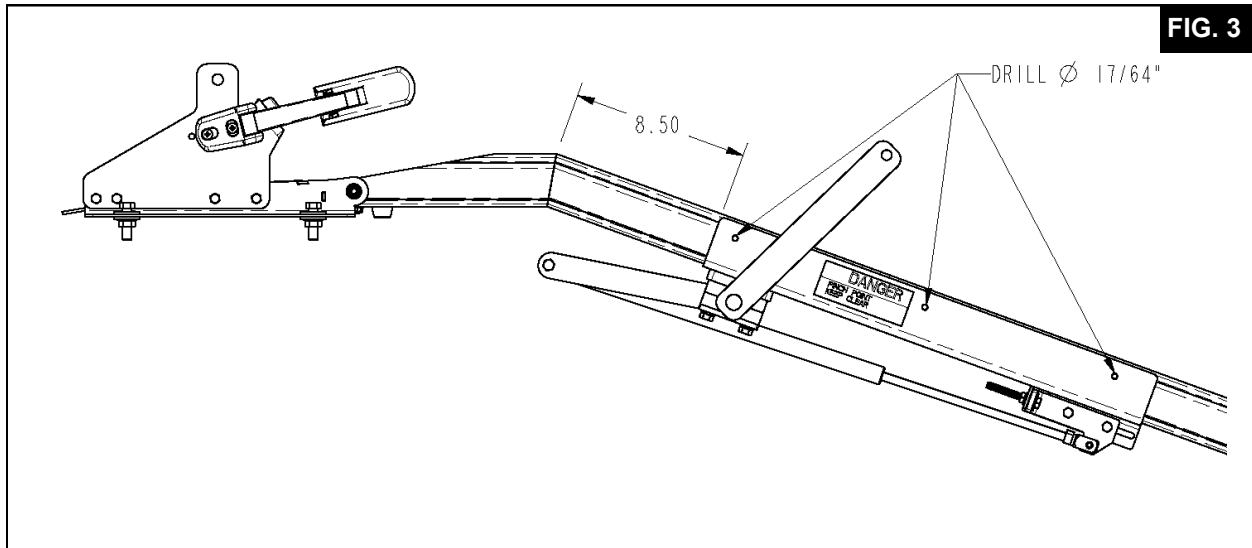


Installation of Lift Assist Kit

- A. Attach the two Latch Mount Plates as shown using the supplied hardware labeled "Base Plate Mount Hardware". **FIG. 2**



- B. Clamp the Spring Assemblies to the Side Rails as shown.
- C. Using the Spring Assembly brackets as a template drill the three $17/64$ " holes through both Side Rails. **Fig.3** (Some ramps may already have these holes in them)
- D. Fasten the two Spring Assemblies to the Ramp using the supplied hardware labeled "Ramp Mounting Hardware".
- E. Place the ramp into the folded position and attach the two Tie Rods (There is some pre-load on the tie rods and may require slight use of force to attach) using the supplied hardware labeled "Tie Rod Hardware". **Tie Rods are pre set to the correct length, and do not require adjustment.**



- F. Mark the sides of the lower ramp and drill the four holes required for mounting the Stowage Latch Mount Plate. (Some ramps may already have these holes in them)

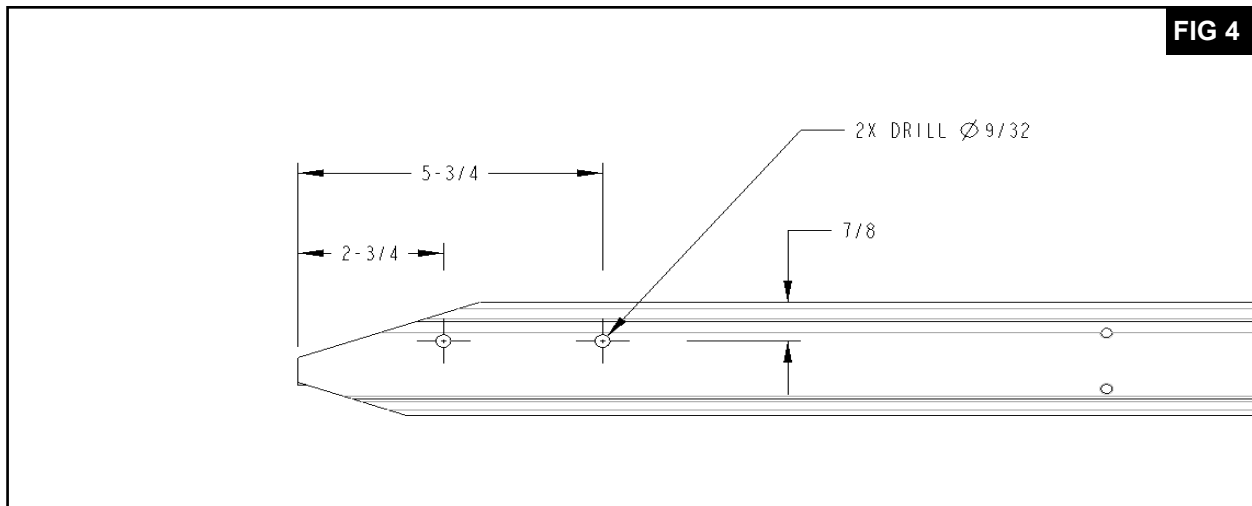
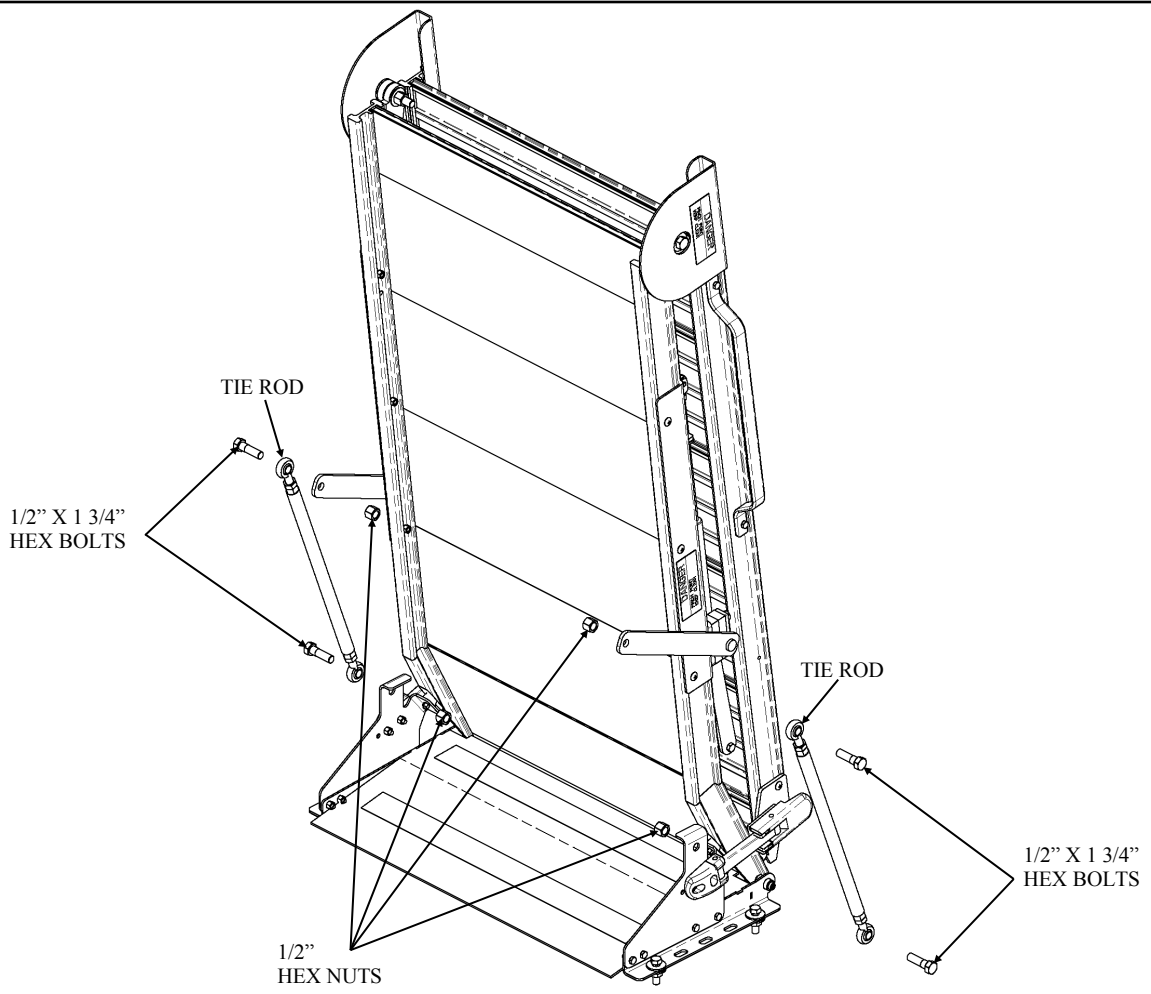
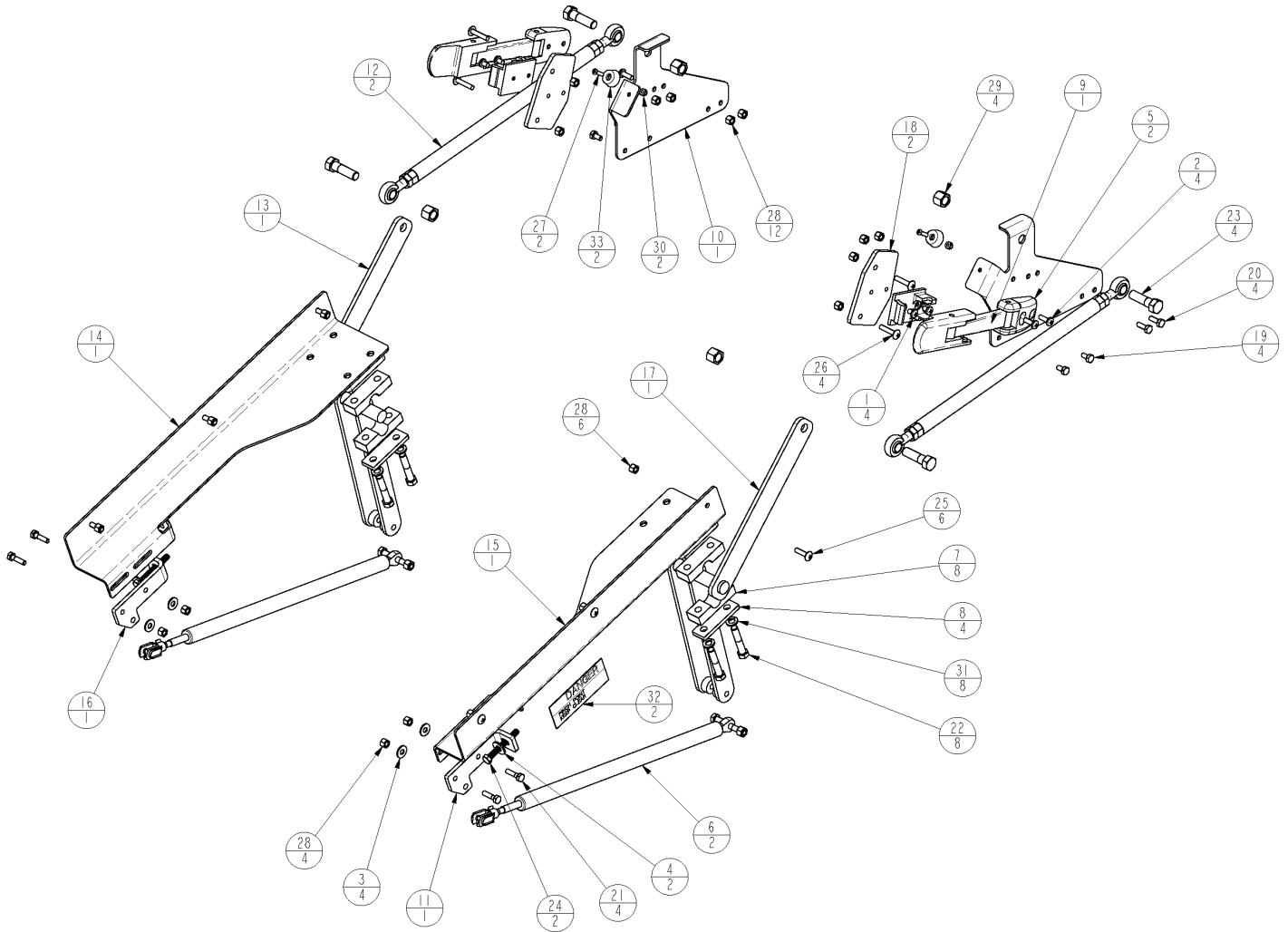


FIG. 5



LIFT ASSIST PARTS LIST



ITEM	PART #	DESCRIPTION	QTY	ITEM	PART #	DESCRIPTION	QTY
1	14420803	1/4 X 3/8 UNC PAN HD PH MACH SCR, ZINC	4	18	78425120	PLATE-MOUNT, STOWAGE LATCH	2
2	14420806	1/4 X 3/4 UNC PAN HD PH MACH SCR, ZINC	4	19	1401-0804	1/4 X 1/2 UNC HEX CAP SCR (GR 5)	4
3	14870800	1/4 TYPE A PLAIN WASHER	4	20	1401-0806	1/4 X 3/4 UNC HEX CAP SCR (GR 5)	4
4	14871000	5/16 TYPE A PLAIN WASHER	2	21	1401-0808	1/4 X 1 UNC HEX CAP SCR (GR 5)	4
5	15000912	AEROLATCH-LEVER ASSISTED	2	22	1401-1216	3/8 X 2 UNC HEX CAP SCR (GR 5)	8
6	15040324	ASSEMBLY- GAS SPRING (250LB)	2	23	1401-1614	1/2 X 1 3/4 UNC HEX CAP SCR (GR 5)	4
7	78420015	BEARING - HALF	8	24	141C1020	5/16 X 2 1/2 UNC HEX FULL THREAD CAP SCR (GR 5)	2
8	78420016	CAP - BEARING	4	25	144C-0808	1/4 X 1 UNC TRUSS HD PH MACH SCR, SS	6
9	78420030	MOUNT PLATE-LATCH, RIGHT HAND	1	26	144C-0810	1/4 X 1 1/4 UNC TRUSS HD PH MACH SCR, SS	4
10	78420031	MOUNT PLATE-LATCH, LEFT HAND	1	27	144G0P06	10-24 X 3/4 OVAL HD MACH SCR-SS	2
11	78425103	PLATE-SPRING, ADJUSTER	1	28	1478-0800	1/4 UNC HEX NYLOCK NUT (GR B)	22
12	78425104	ASSEMBLY-TIE ROD	2	29	1478-1600	1/2 UNC HEX NYLOCK NUT (GR B)	4
13	78425105	ARM - TORQUE, LEFT	1	30	14840B09	10-24 NYLOCK NUT, SS	2
14	78425106	WELDMENT-SPRING MOUNT, LEFT	1	31	1485-1200	3/8 LOCK WASHER	8
15	78425107	WELDMENT-SPRING MOUNT, RIGHT	1	32	1500-1311	DECAL-PINCH POINT	2
16	78425108	PLATE-SPRING, ADJUSTER	1	33	1507-0403	RUBBER-BUMPER, 1.00 O.D. X .28	2
17	78425109	ARM - TORQUE, RIGHT	1				

** CONTACT CUSTOMER SERVICE FOR CORRECT PART NUMBERS FOR YOUR LIFT ASSIST.



*Link Mfg. Ltd.
223 15th St. N.E.
Sioux Center, IA USA
51250-2120*