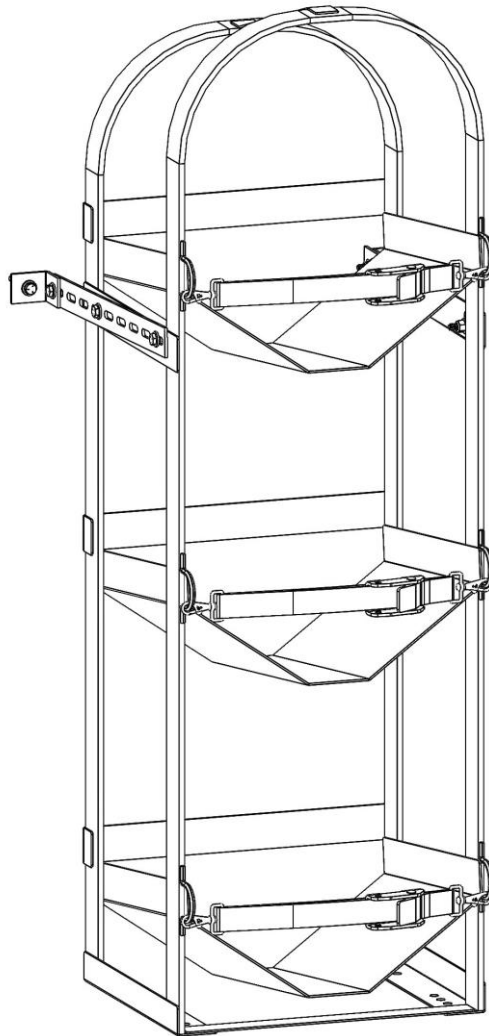


KARGO MASTER®

WE PUT EVERYTHING WITHIN REACH.

Instruction Guide

40102



Kargo Master
Rancho Cordova, CA 95742
800-343-7486
CustomerService@KargoMaster.com

*** PLEASE READ ALL INSTRUCTIONS AND WARNINGS PRIOR TO ASSEMBLING, INSTALLING, AND USING THIS PRODUCT. ***

Warning



Always check for wires, fuel tanks and lines, brake lines and other important vehicle functionality items prior to drilling and installing all products.



ALWAYS ENSURE TANK STRAPS ARE TIGHT AND TANKS ARE SECURE BEFORE TRANSPORTING.

Tools Needed

7/16" Socket and Wrench	9/16" Box Wrench
1/4", 25/64" Drill Bits	Drill
Drill Bit Stop Collar	Plus Nut Installation Tool (P9902)*

* Sold Separately.

Table of Contents

Before You Begin..... 1

Parts 2

Hardware 3

Step 1 – Find Mount Location..... 4

Step 2 – Assemble Mounting Brackets and Straps 4

Step 3 – Attach Mounting Bracket and Strap 5

Step 4 – Prepare vehicle 5

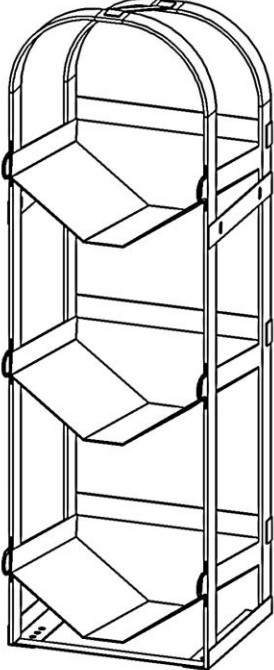


Step 5 – Install Plus Nuts..... 6

Step 6 – Install Tank Rack..... 6

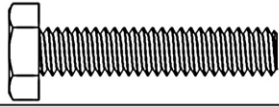
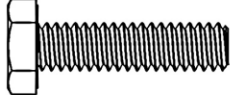

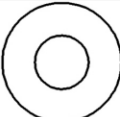

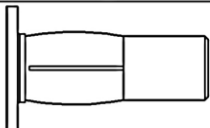
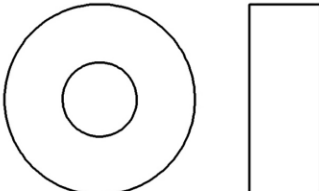
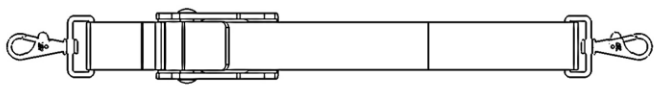
Before You Begin

- Read all instructions prior to assembling or installing any Kargo Master product.
- **Always locate your installation locations prior to performing any work.**
- **ENSURE SAFETY WHILE INSTALLING OR DRILLING INTO VEHICLE.**
- In some situations, not all mounting locations are necessary. Use your best judgment to ensure the tank rack is secured properly to the floor, and on each side of tank rack.
- Plus Nut Installation Tool Kit P9902 is not included and must be purchased separately.

Parts

NO.	ITEM	PART NUMBER	DESCRIPTION	QTY.
1		101048	TANK HOLDER WELDMENT	1
2		40200-00-001	MOUNTING STRAP	2
3		40200-00-002	MOUNTING BRACKET	2
4		18-40102	HARDWARE KIT	1

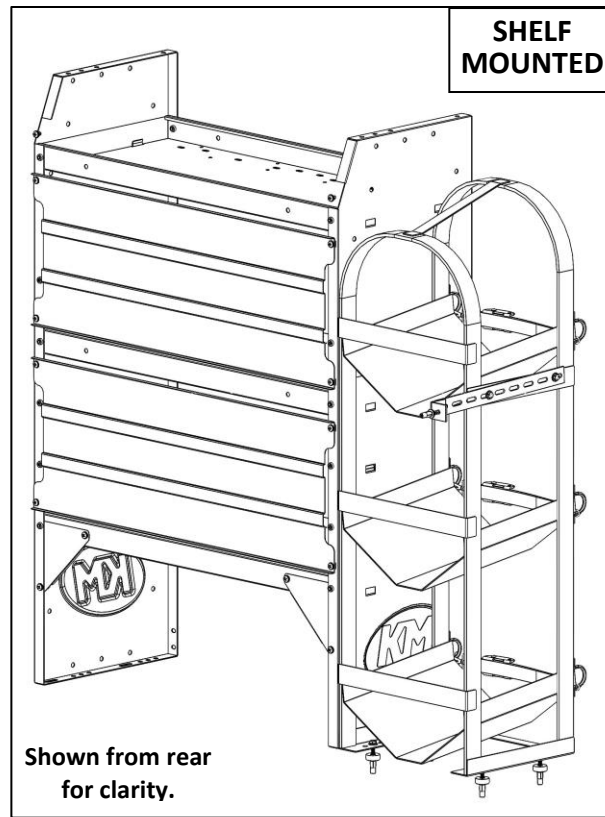
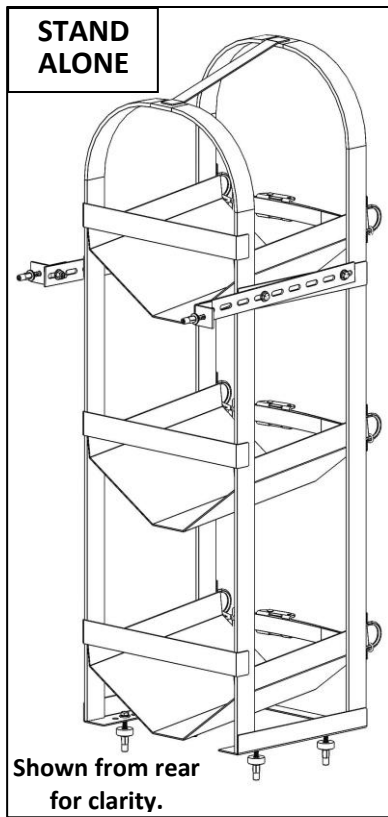
Hardware

ITEM	HARDWARE TO SCALE	PART NUMBER	DESCRIPTION	QTY.
1		13800	1/4-20 x 1-1/4" HEX HEAD BOLT	4
2		13005	1/4"-20 X 1" HEX HEAD BOLT	8
3		0169789	1/4-20 LOCK NUT	6
4		33078	1/4" WASHER	18
5		33618	1/4" LOCK WASHER	6
6			1/4"-20 PLUS NUT	6
7		11517442	3/8" ID X 1" OD X 3/8" NYLON SPACER	4
8		100680	1IN NYLON STRAP W/ SWIVEL HOOKS	3

ALWAYS ENSURE TANKS ARE SECURE PRIOR TO TRANSPORTATION.

Step 1 – Find Mount Location

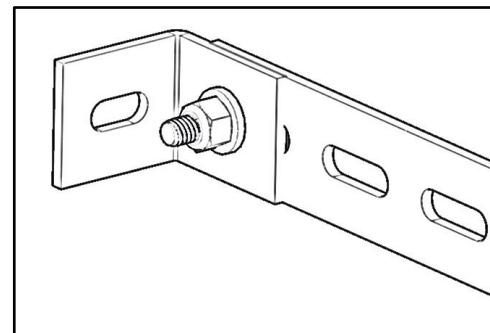
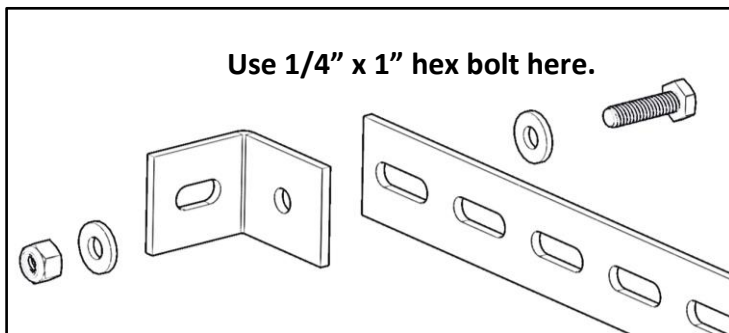
- Determine location of where the 3-tier tank rack will be placed.
- Tank rack may be installed stand-alone to the vehicle wall and floor, or installed to a shelf side in addition to vehicle wall and floor. **No matter which installation method is used, it is recommended the tank rack be installed to the floor and securely fastened on both sides.**



Step 2 – Assemble Mounting Brackets and Straps

If mounting to shelf side, only one side requires installation of brackets.

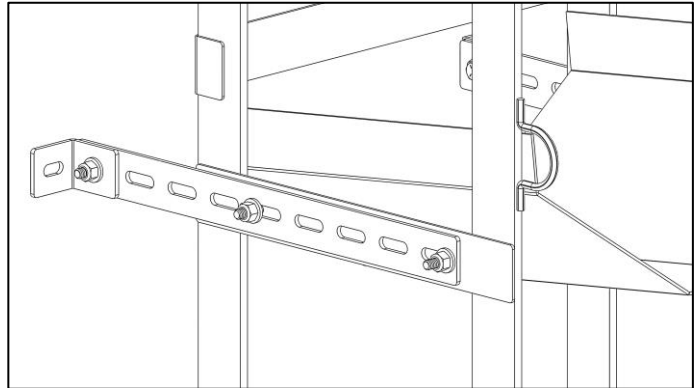
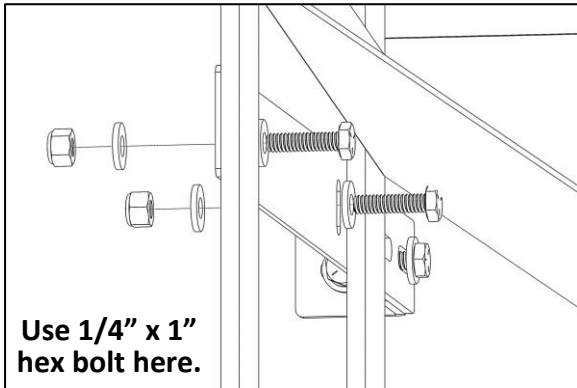
- Configure mount brackets so the tank rack can be fastened to the van.
- Mount angle bracket to strap using a 1/4" x 1" hex head bolt, two 1/4" flat washers and 1/4" lock nut.
- Snug tighten, but allow movement between brackets.



Step 3 – Attach Mounting Bracket and Strap

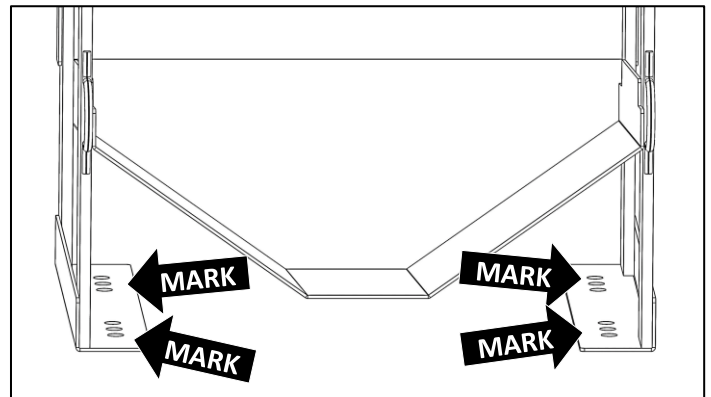
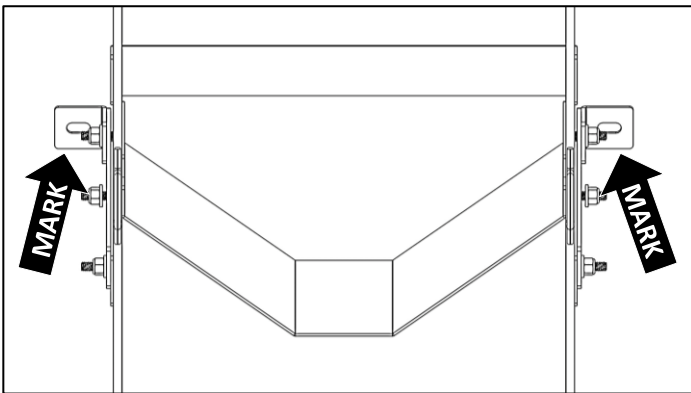
In some circumstances, the mounting strap will only attach to the tank rack in one location.

- Using a 1/4" x 1" hex head bolt, two 1/4" flat washers, and a 1/4" lock nut, bolt the mounting strap to the side of the rack. Repeat for second bolt, washers, and nut if second connection is possible.
- Snug tighten but allow for movement.
- Repeat for opposite side if installing stand-alone.

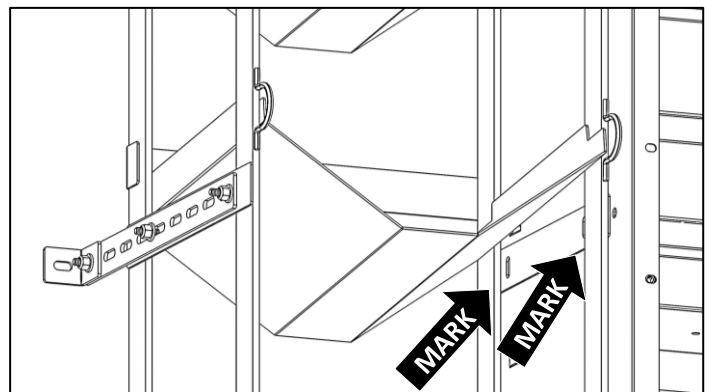


Step 4 – Prepare vehicle

- Mark location where angle bracket comes into contact with the support on the van wall.
- Mark location of holes in bottom of tank rack onto floor.



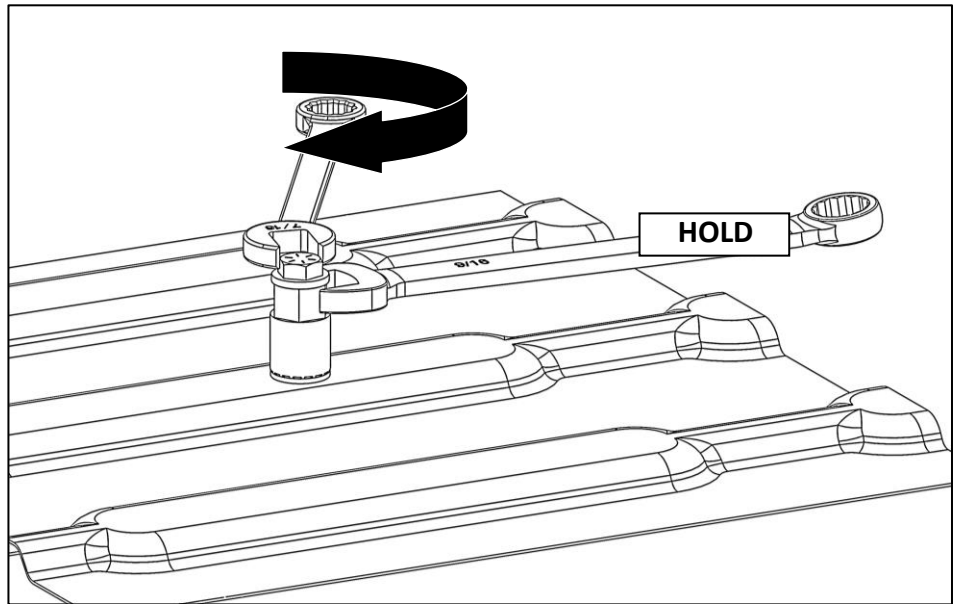
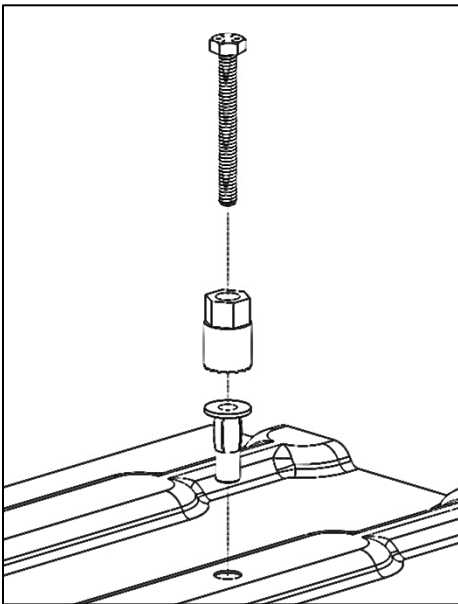
- If installing onto shelf, mark locations of slots onto shelf side.



Step 5 – Install Plus Nuts

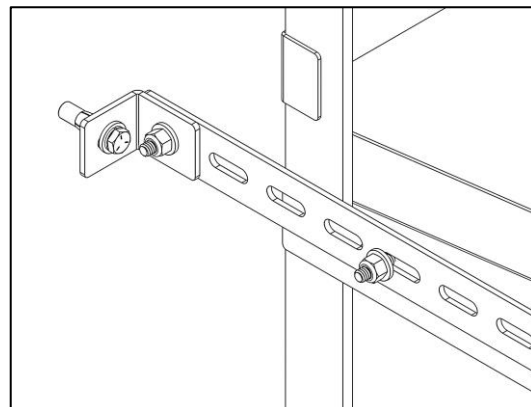
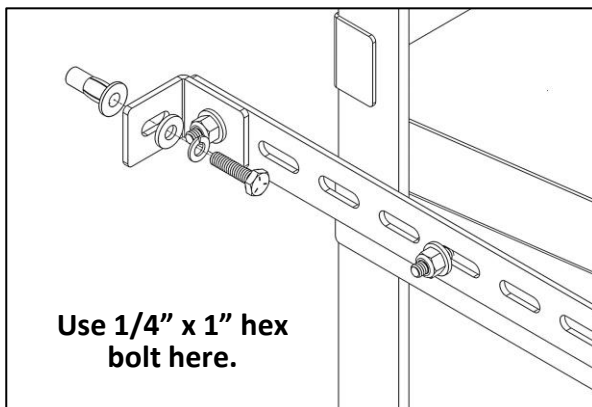
Plus nuts are installed into wall and floor only. Plus nuts are not to be used for mounting to shelf side.

- At each marked location in floor and van side, drill hole using 25/64" drill bit and drill bit stop collar. If 25/64" drill bit is not available, 3/8" drill bit can be used, although it may be necessary to tap in plus nuts.
- Screw 1/4" x 2-1/4" hex head bolt through plus nut installation tool, and then into plus nut. Knurled end of plus nut tool must be directed away from bolt head and contacting plus nut.
- Insert plus nut into hole.
- Using the 9/16" box wrench, hold the plus nut tool stationary and then tighten hex head bolt until plus nut is tightly gripping and does not spin when hex bolt is loosened.
- DO NOT overtighten plus nut.
- Using the 9/16" box wrench, hold the plus nut tool stationary to remove the 1/4" hex head bolt.

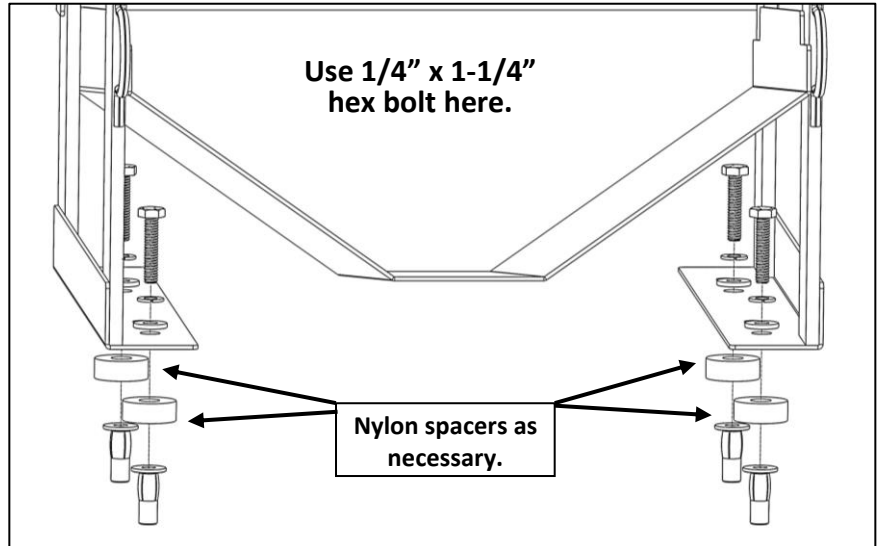


Step 6 – Install Tank Rack

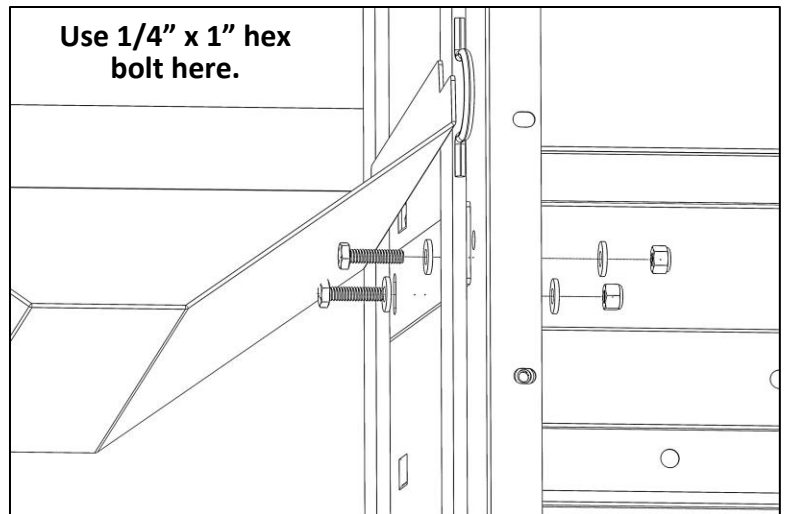
- Bolt angle mount bracket to previously installed plus nut using a 1/4" x 1" hex bolt, a 1/4" lock washer and a 1/4" flat washer.
- Snug tighten but allow for movement.
- If installing stand-alone, repeat for other side of rack.



- If a gap exists between the bottom of tank rack and the floor, insert a nylon spacer between rack and floor, centered on installed plus nut.
- Using 1/4" x 1-1/4" hex head bolts, 1/4" lock washers, and 1/4" flat washers, bolt through rack, and nylon spacer if necessary, into plus nut.
- Snug tighten but allow for movement.



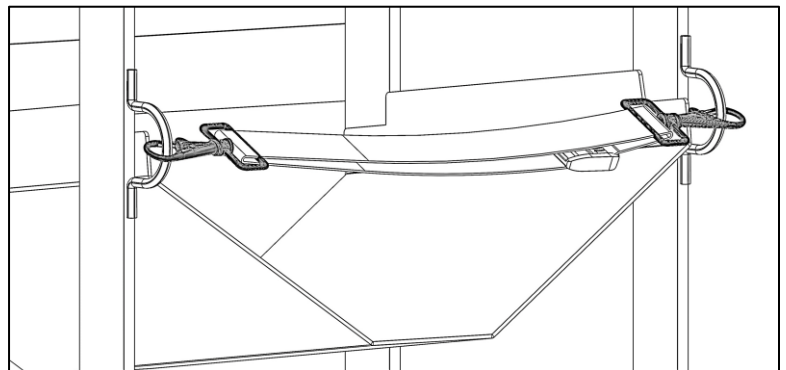
- If mounting next to a shelf, place assembly firmly against shelf side.
- Bolt the tank rack to the shelf side using a 1/4" x 1" hex bolt, two 1/4" flat washers and a 1/4" lock nut.



- For each tank tier, attach straps to loops on both sides of front of rack.



ALWAYS be sure straps are tight and tanks are secure before transporting.



GO BACK AND TIGHTEN ALL HARDWARE.

INSTALLATION AND ASSEMBLY ARE COMPLETE.