



VAN STORAGE SOLUTIONS
FOR THE WAY YOU WORK™

INSTALLATION MANUAL

MOUNTING CHANNEL KIT, 130" WB Transit (2130-0-01) 148" WB & 148" Ext. WB Transit (2102-0-01)

ATTENTION: PLEASE READ AND UNDERSTAND ALL INSTRUCTIONS AND WARNINGS BEFORE ASSEMBLING, INSTALLING OR USING THIS PRODUCT.

TOOLS REQUIRED

- RTV Automotive/ Exterior Sealant (included)
- Thread Lock Compound (not included)
- 5 mm hex key (do not use a 3/16" hex key or bit)
- Torque wrench
- Utility knife

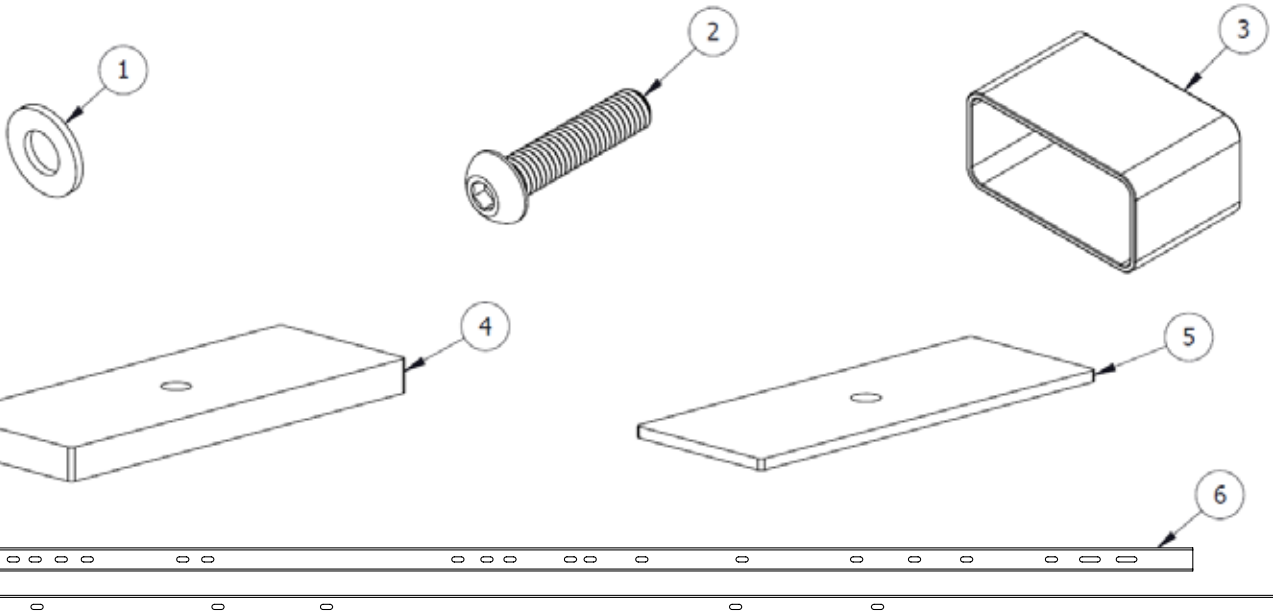
CAUTION

Be safe - always wear protective eyewear to keep debris out of your eyes when installing WEATHER GUARD® Van Products.

- Use the correct Weather Guard mounting channel for your type of van.
 - The 2130-0-01 kit is designed for 130" WB Ford Transit vans.
 - The 2102-0-01 kit is designed for 148" WB & 148" Extended WB Ford Transit vans.
- Attach mounting channels only to vehicle's manufacturer-provided mounting points.
- Vehicle manufacturer specifically prohibits adding additional mounting points through the van roof.

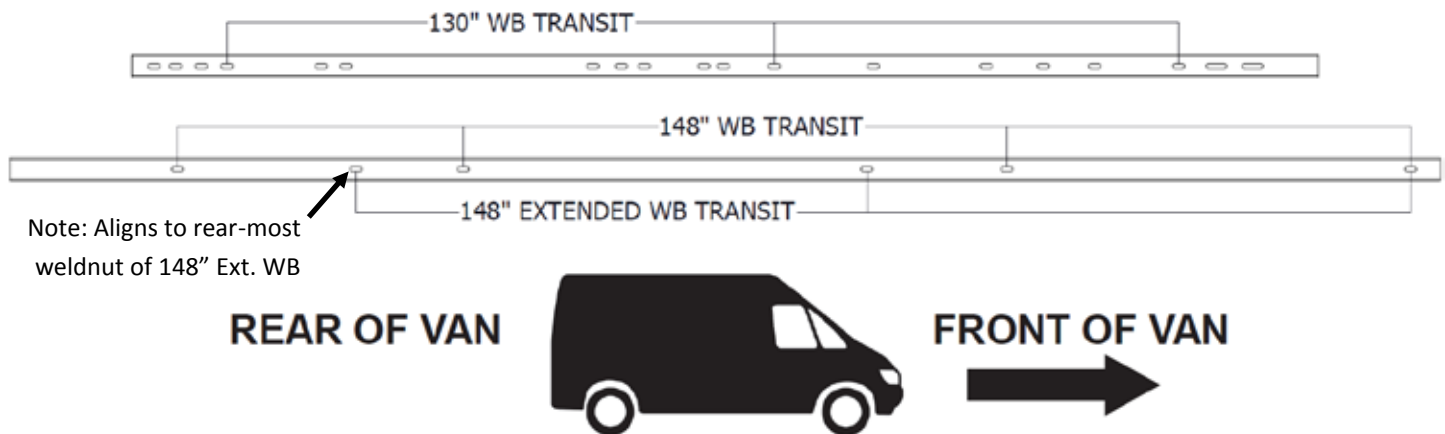
PARTS LIST

| ITEM | DESCRIPTION | QTY | |
|------|-------------------|------|------|
| | | 2102 | 2130 |
| 1 | 5/16" Washer | 10 | 8 |
| 2 | M8 x 35mm Bolt | 8 | 6 |
| 3 | Red Cap | 4 | 4 |
| 4 | 3/8" Mounting Pad | 8 | 6 |
| 5 | 1/8" Mounting Pad | 8 | 6 |
| 6 | Mounting Channel | 2 | 2 |



ATTENTION: PLEASE READ AND UNDERSTAND ALL INSTRUCTIONS AND WARNINGS BEFORE ASSEMBLING, INSTALLING OR USING THIS PRODUCT.

MOUNTING CHANNEL HOLE LAYOUT REFERENCE:



INSTALLATION INSTRUCTIONS

GENERAL INSTRUCTIONS:

The mounting channel kit includes mounting channels and hardware to attach the channels to the roof of a Ford Transit van using weld nuts provided by Ford, the OEM van manufacturer.

- STEP 1** Ford provides M8 weld nuts in the roof of the Transit. You will need to use these mounting points to attach the mounting channels to the van. **Do not drill additional holes or install blind fasteners in the roof of a Ford Transit van.**
- STEP 2** Position mounting channels on roof of van. Use the diagram above showing the orientation of mounting holes to channel slots for each van length. Align the slots in the channel with the OEM mounting points starting from the rear and working to the front of the van.
- STEP 3** Remove the 6 or 8 plastic caps covering the mounting points of your van. Use the utility knife to cut paint if necessary. **Clean excess paint and debris from the threads of the M8 weld nut.**
- STEP 4** Position the 3/8" thick mounting pads on the roof between the mounting channels and the openings in the roof, sealing them in place with RTV sealant (provided) to the van roof around the mounting points to prevent water from leaking into the vehicle. Use more RTV sealant between the mounting channel and the mounting pad.
- Note:** It may be necessary to also use the 1/8" thick mounting pads between the 3/8" thick mounting pads and the mounting channel to get the channels out of the recess surrounding the weld nut in the roof. Use your own discretion in making this determination.
- STEP 5** Depending on which Weather Guard van roof rack you are installing and how many cross-members are needed, insert the stud bolt plates **from the roof rack kit** into the channel at this time. Use **kit 7760** if no stud bolt plates were included.
- STEP 6** Attach red caps to ends of mounting rails. Use the utility knife to cut a small slit in the top of the cap to accommodate the mounting stud plate if need be.
- STEP 7** Apply thread lock compound (not provided) to the M8 mounting bolts.
- STEP 8** Attach the mounting channels to the van using the M8 bolts and 5/16" washers and insert them through the mounting channel and pad and into the Transit roof weld nuts with the 5mm hex bit and a torque wrench. Tighten the mounting bolts until the mounting channels are fully seated to the roof. Do not exceed 10 ft-lbs. Avoid using an impact wrench.

The mounting channels should be fully seated with no play or movement. If the mounting channels are loose or not fully seated, remove them and clean out the weld nuts. Debris from the van manufacturing process can build up in the weld nuts. After cleaning out the weld nuts, repeat STEP 8.

 **WARNING**

This product is only intended and safe for use in storing and transporting small tools, equipment and other similar materials. These instructions are to be followed using the parts and fasteners supplied for proper installation. Any modifications or improper installation of this product will create a hazardous condition that could result in death, serious personal injury and/or property damage.

All floor mounting bolts near the fuel tank area should be installed from the underside of the vehicle, to guard against the fuel tank being punctured in the event of a collision. This would mean not using Blind Fasteners in this area. Holes in this area should be 5/16". Ensure ample space in roof ribs and sidewall ribs for mounting screws so as not to puncture exterior roof or wall.

Do not install this product where it could interfere with deployment of air bags. Failure to comply could result in death or serious body injury.

- NOTICE -

Any modification or unintended use of this product shall immediately void all manufacturers warranties. Manufacturer disclaims all liability for injuries to persons or property resulting from any modification to, or unintended use of this product.

KNAACK LLC LIMITED LIFETIME WARRANTY FOR WEATHER GUARD® PRODUCTS

WEATHER GUARD® Products — Limited Lifetime Warranty (Purchased on or after 1/1/2009)

Knaack LLC (the "Manufacturer") warrants to the original purchaser only that WEATHER GUARD® Truck and Van Products (the "WEATHER GUARD® Product") will be free from defects in material and workmanship from the date of purchase and continuing for the expected lifetime of the WEATHER GUARD® Product. A copy of the original sales receipt must be supplied to the Manufacturer at the time a warranty claim is made. This warranty terminates if the original purchaser transfers the WEATHER GUARD® Product to any other person.

What is Covered

All WEATHER GUARD® Products identified above that are purchased on or after January 1, 2009.

What We Will Do to Correct Problems

Subject to the limitations and exclusions described in this limited warranty, the Manufacturer will remedy defects in materials or workmanship by providing one of the following remedies at its option and without charge to the original purchaser for parts or labor: (a) repairing the defective portion of the WEATHER GUARD® Product or (b) replacing the entire WEATHER GUARD® Product. In addition, the manufacturer may elect at its option, not to repair or replace the WEATHER GUARD® Product, but rather issue to the original purchaser a refund equal to the purchase price paid for the WEATHER GUARD® Product or a credit to be used toward the purchase of new WEATHER GUARD® Product.

What is Not Covered

This limited warranty expressly excludes:

- Defects caused by normal wear and tear, cosmetic rust, scratches, accidents, unlawful vehicle operation, or modification to the product, or any types or repair of a WEATHER GUARD® Product other than those authorized or provided by the Manufacturer.
- Defects resulting from conditions beyond the Manufacturer's control including, but not limited to misuse, overloading, or failure to assemble, mount or use the WEATHER GUARD® Product in accordance with the Manufacturer's written instructions or guidelines included with the WEATHER GUARD® Product or made available to the original purchaser.
- Damage to the contents of the box or vehicle.
- TO THE EXTENT PERMITTED BY LAW, IN NO EVENT SHALL THE MANUFACTURER BE LIABLE FOR ANY INCIDENTAL, SPECIAL, INDIRECT, OR CONSEQUENTIAL DAMAGES, INCLUDING ANY ECONOMIC LOSS, WHETHER RESULTING FROM NONPERFORMANCE, USE, MISUSE OR INABILITY TO USE THE WEATHER GUARD® PRODUCT OR THE MANUFACTURER'S NEGLIGENCE.

No Other Express Warranty Applies

This Limited Lifetime Warranty is the sole and exclusive warranty for WEATHER GUARD® Products. No employee, agent, dealer, or other person is authorized to alter this warranty or make any other warranty on behalf of Knaack LLC.

Notification Procedures

If the WEATHER GUARD® Product does not conform with the terms of this limited warranty, the original owner must promptly notify the Manufacturer in writing upon discovery of the nonconformity. In order to receive the remedies under this limited warranty, the warranty claim must describe the nature of the nonconformity, and a copy of the original sales receipt, invoice, bill or other proof of purchase must accompany the claim. Repairs or modifications made to the WEATHER GUARD® Product by other than the Manufacturer or its authorized agent will nullify this limited warranty. Coverage under this limited warranty is conditioned at all times upon the owner's compliance with these required notification and repair procedures. Warranty claims must include reciprocal contact information and may be made via certified mail to:

Knaack LLC ATTN: Warranty Claims
420 E. Terra Cotta Avenue Crystal Lake, IL 60014

If you have any questions, please call toll free at 1-800-456-7865.
©2013 Knaack LLC

