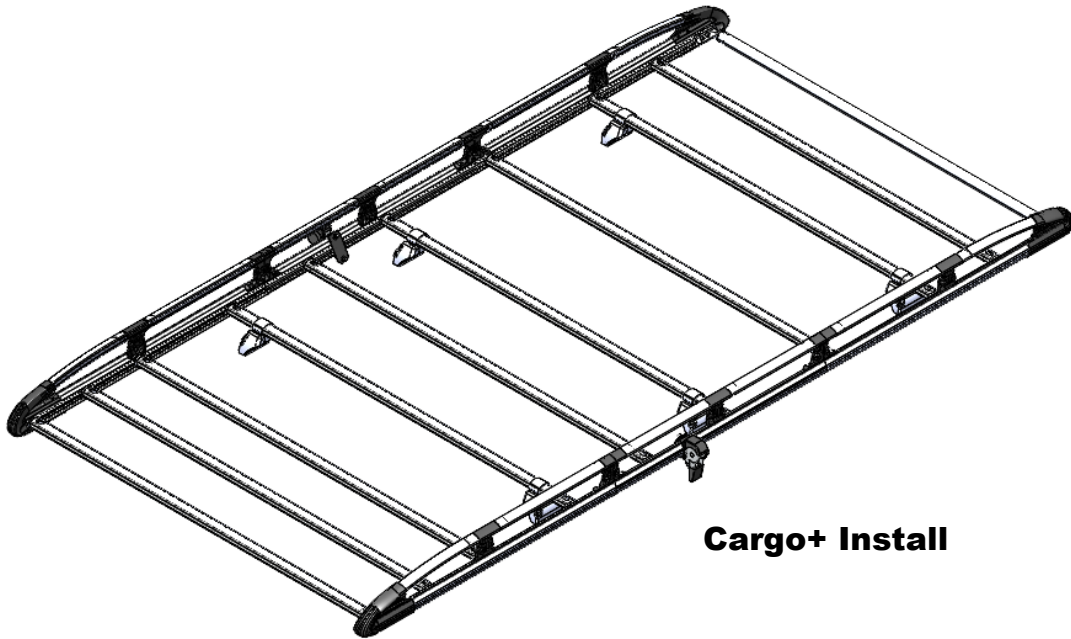


INSTALLATION GUIDE



Cargo Rack Install



Cargo+ Install

16-U0010

Cargo Strap



SAFETY INSTRUCTIONS

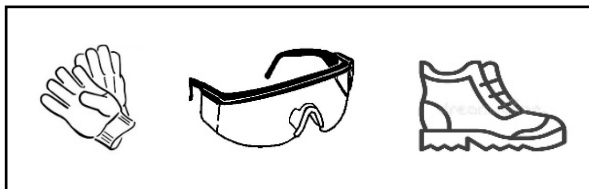
Before the installation, carefully read the supplied installation guide to avoid possible injuries and damages resulting from incorrect installation. Always keep the installation guide in an accessible location at all times for reference during installation.

WARNING

- Only a qualified person/s should install this product.
- This product requires 1 person to install.
- Always use safety gloves, glasses, and shoes.



1
PERSON

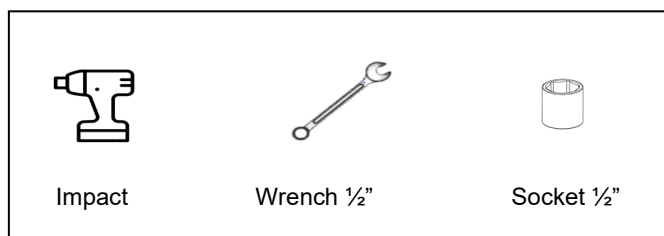


CAUTION

- Follow all vehicle manufacturer instructions before attempting any installation.

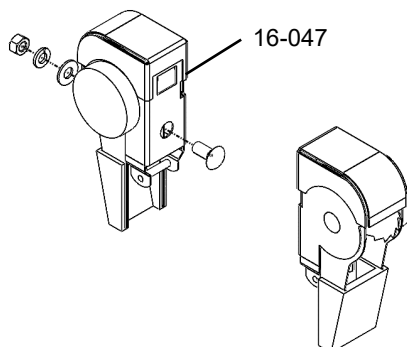
PREPARATION

Tools Needed



BILL OF MATERIALS

16-U0010



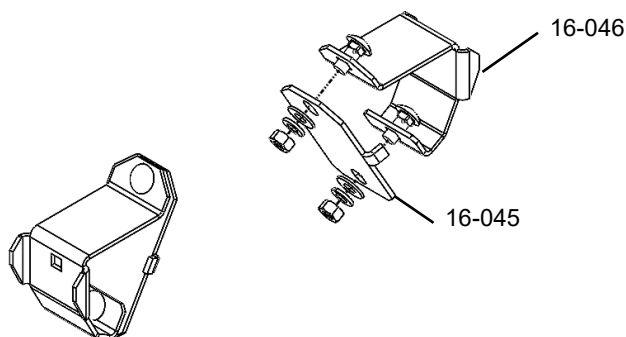
Bill Of Materials

Item No.	Description	Qty.
16-047	Cargo Strap	2
96-0014	Hardware Kit	1

Hardware Kit 96-0014

Item No.	Description	Qty.
90-487	Carriage Bolt 5/16-18x3/4" SS	2
98-117	Flat Washer 5/16" SS	2
94-105	Hex Nut 5/16 SS	2
98-123	Lock Washer 5/16" SS	2

16-U0015 – Cargo +



Bill Of Materials

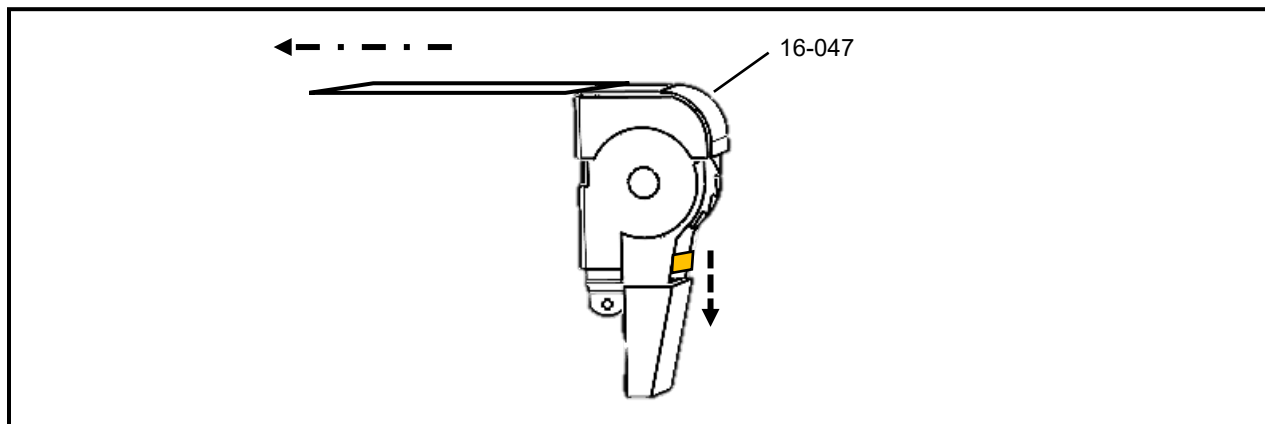
Item No.	Description	Qty.
16-045	Cargo+ Bracket Base	2
16-046	Cargo+ Bracket Top	2
96-0015	Hardware Kit	1

Hardware Kit 96-0015

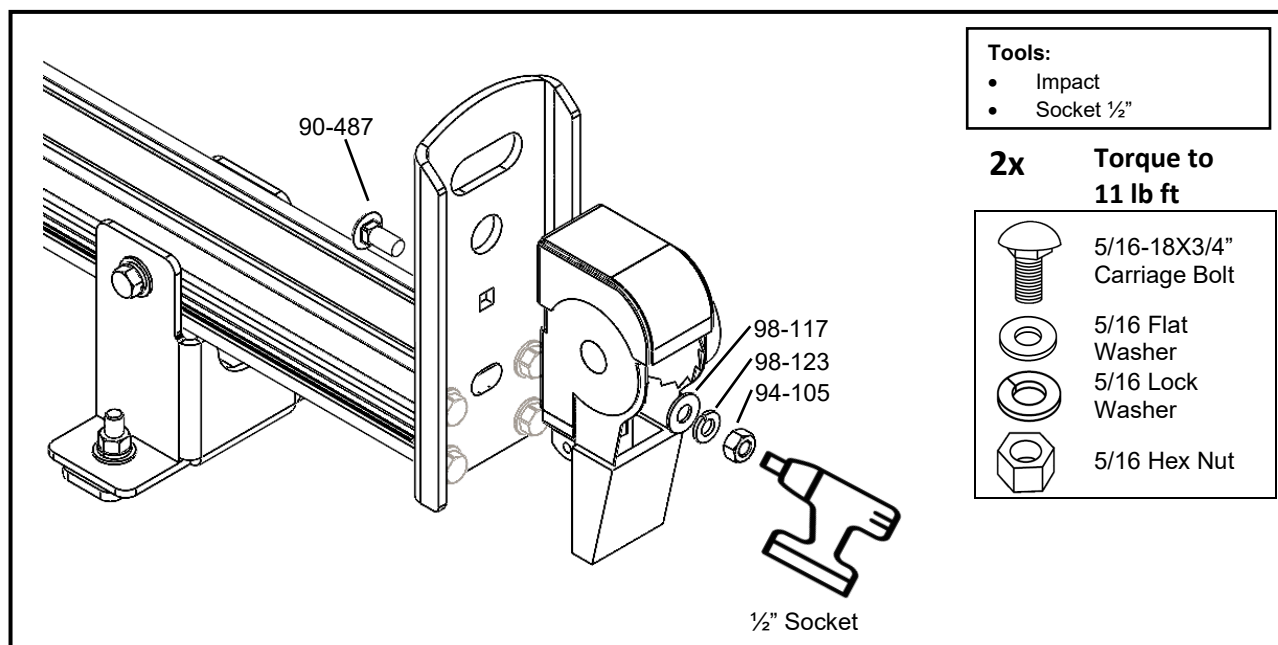
Item No.	Description	Qty.
90-491	Carriage Bolt 5/16"-18x1" SS	4
98-117	Flat Washer 5/16" SS	4
94-105	Hex Nut 5/16 SS	4
98-123	Lock Washer 5/16" SS	4

ASSEMBLY

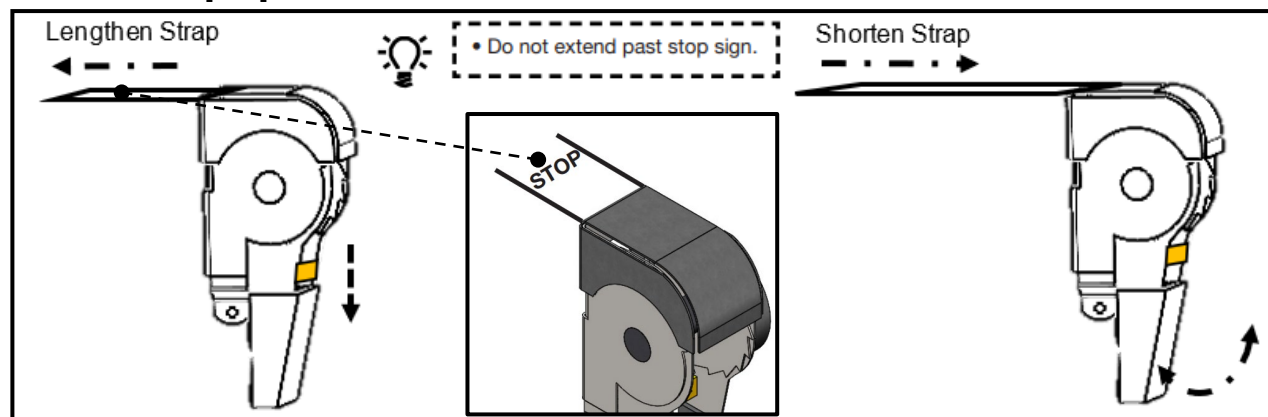
STEP 1 Cargo Rack



STEP 2 Cargo Rack

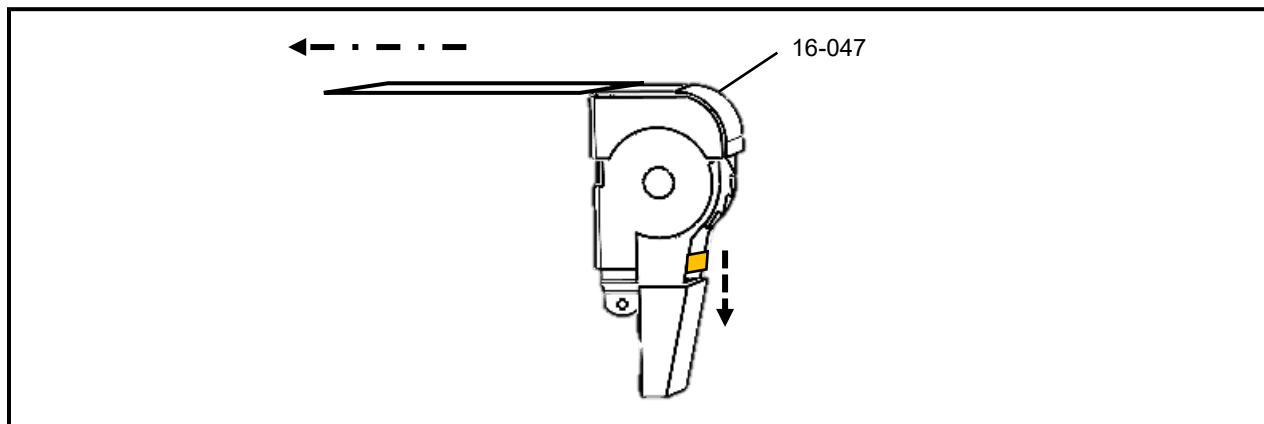


STEP 3 Strap Operation

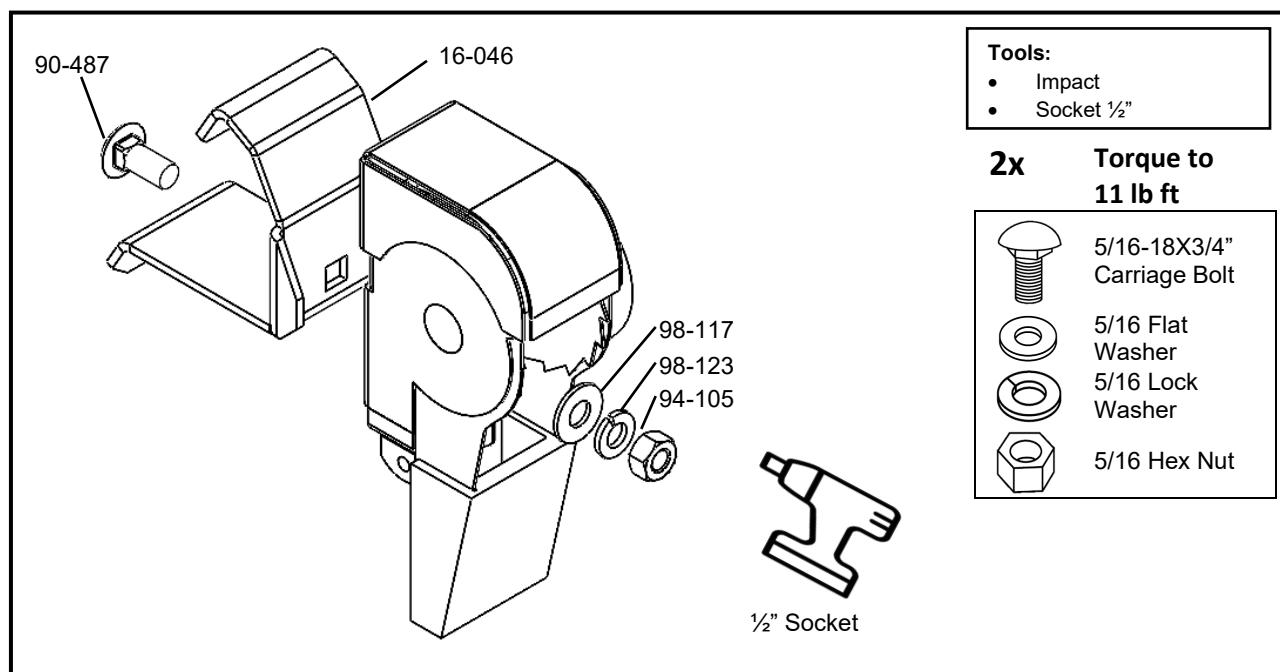


ASSEMBLY

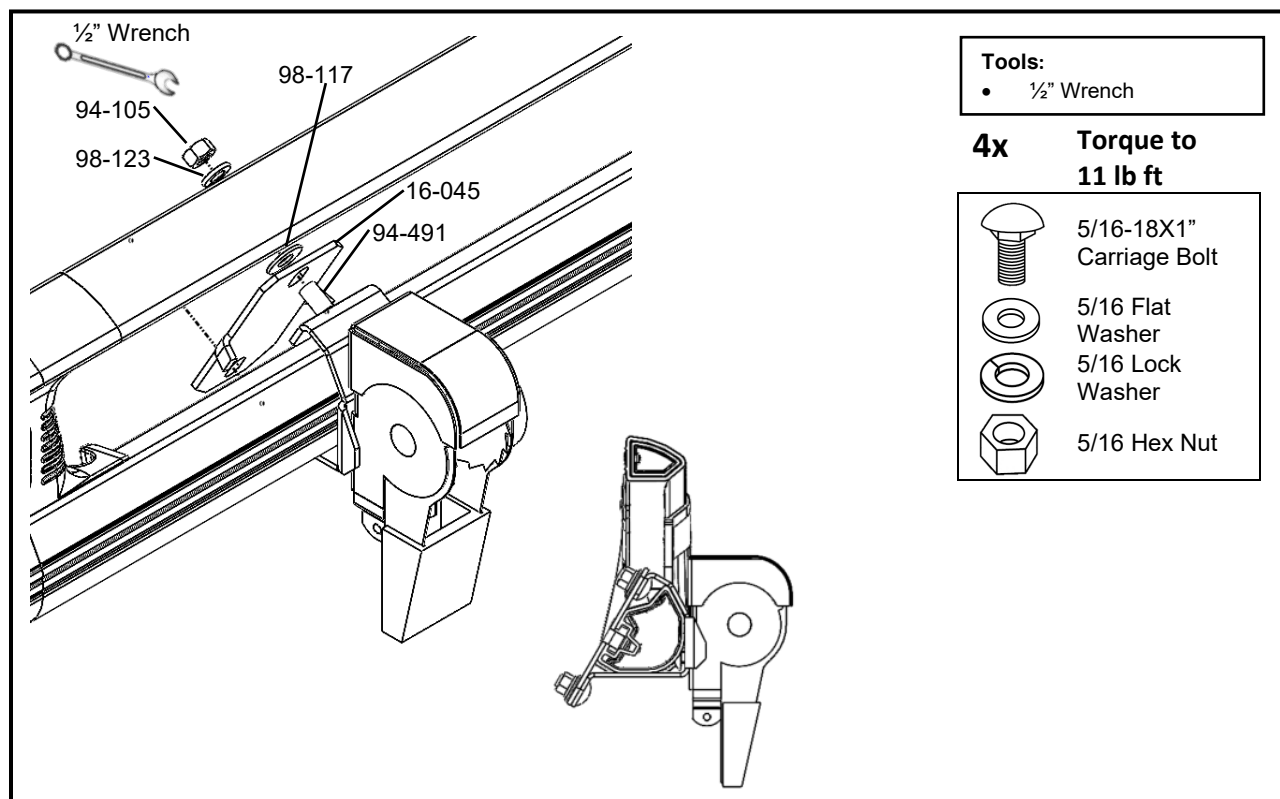
STEP 1 Cargo+



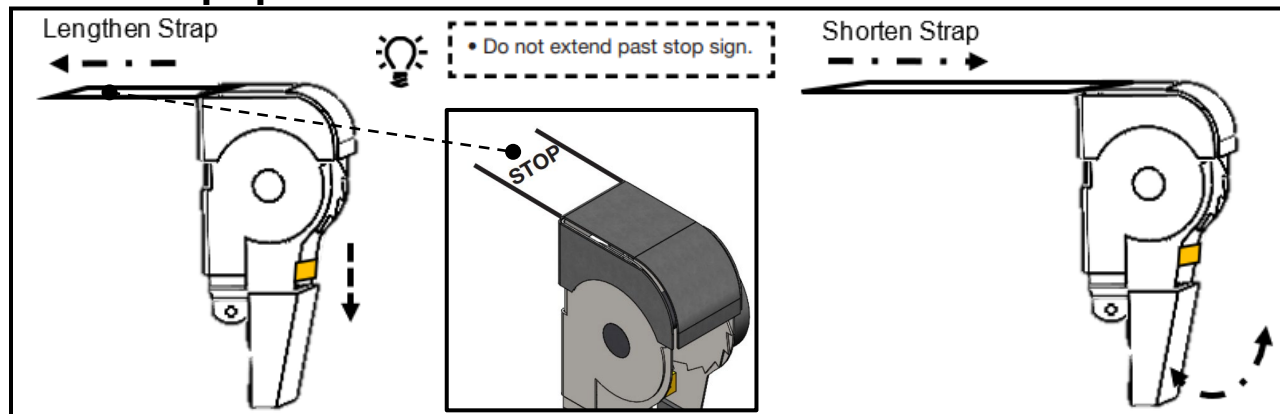
STEP 2 Cargo+



STEP 3 Cargo+



STEP 4 Strap Operation



“You have successfully installed your Cargo Strap, thank you for doing business with us.”

For any feedback or suggestions, you may have, please contact: cs@rangerdesign.com





• Do not extend past stop sign.

