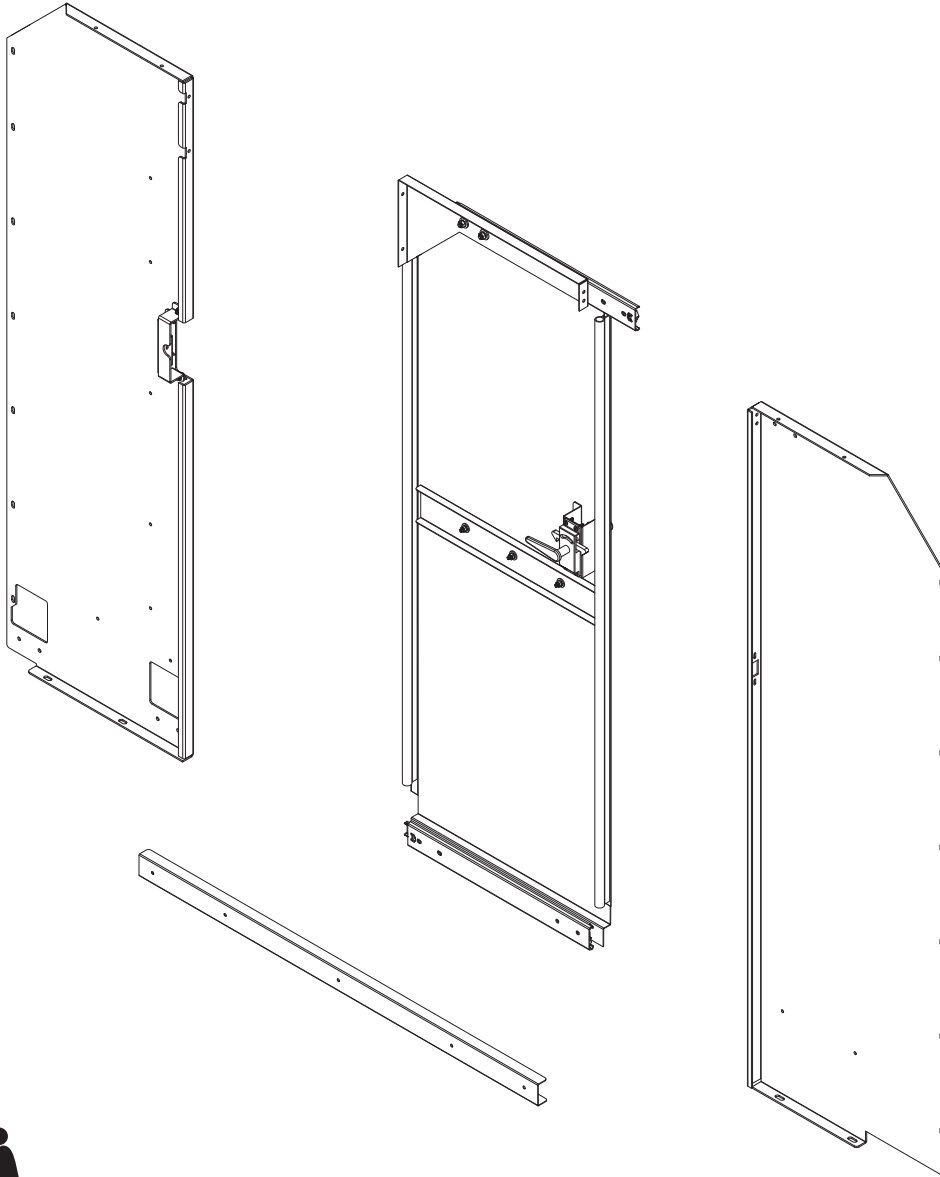


# PRIME DESIGN™

A Safe Fleet Brand



2 Person Lift Recommended

## MODELS AVAILABLE:

MSP-A125 (ALUMINUM)

MSP-S16 (STEEL)

### UNIVERSAL SLIDING DOOR ASSEMBLY

Pages 2-4	Packaging Contents
Page 5	Tool List and Plus Nut Application
Page 6-7	Door Latch Assembly & Final Instructions

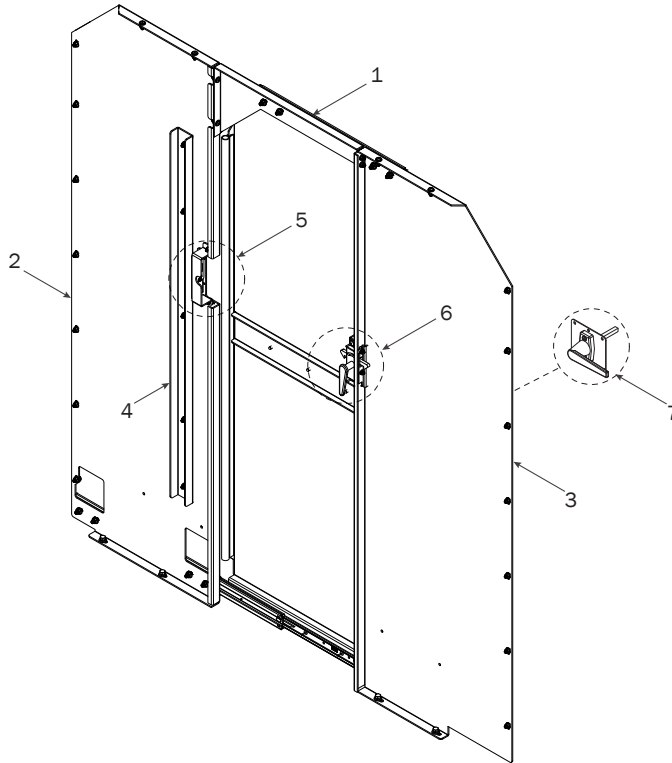
PRIME DESIGN, A SAFE FLEET BRAND

Address: 580 Opperman Drive, Eagan, MN 55123 • Toll Free: 1.8.PRIME.RACK  
Fax: 651-552-1799 • Email: info@primedesign.net • Website: www.primedesign.net

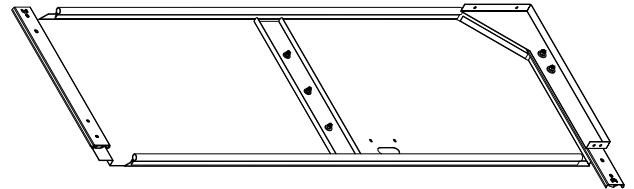
# MSP-A125/S16

**CONTENTS OVERVIEW—UNIVERSAL SLIDING DOOR ASSEMBLY**

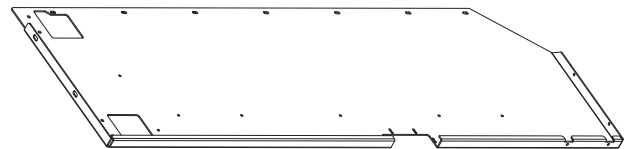
**MODELS AVAILABLE:**  
 MSP-A125 (ALUMINUM)  
 MSP-S16 (STEEL)



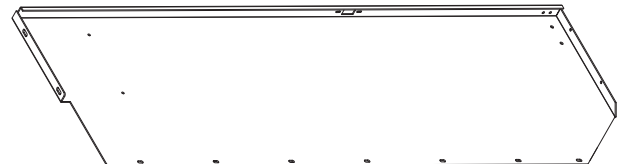
1—Door Assembly..... (Qty 1)



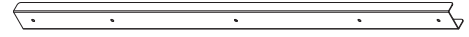
2—Side Panel Assembly..... (Qty 1)  
 Driver Side (DS)



3—Side Panel Assembly..... (Qty 1)  
 Passenger Side (PS)



4—Align Bar ..... (Qty 1)



5—Latch Bracket ..... (Qty 1)



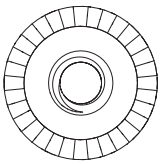
6—Cargo Side Door Latch..... (Qty 1)



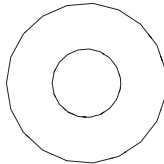
7—Cab Side Door Latch ..... (Qty 1)



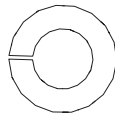
8—Hardware ..... (Qty 1)  
(Not called out in Overview)



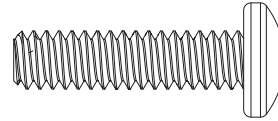
5/16" Flanged Serrated Hex Nut (6X)



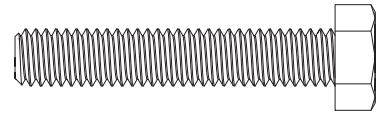
5/16" Flat Washer (16X)



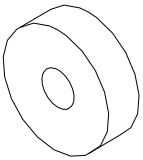
5/16" Lock Washer (16X)



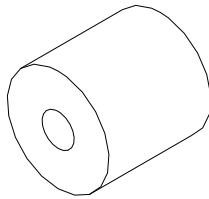
5/16" - 18 x 1.00" Phillips Pan Head Bolt (6X)



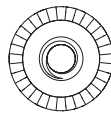
5/16" - 18 x 1.75" Hex Head Cap Screw (16X)



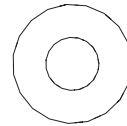
.375" Long Spacer (4X)



1.00" Long Spacer (8X)



1/4" Flanged Serrated Hex Nut (27X)



1/4" Flat Washer (27X)



1/4" Phillips Truss Head Screw (27X)



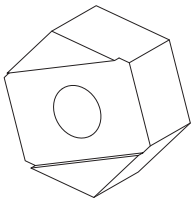
#10 Flanged Serrated Hex Nut (12X)



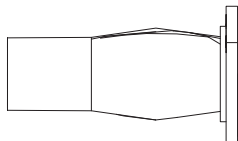
#10 Flat Washer (12X)



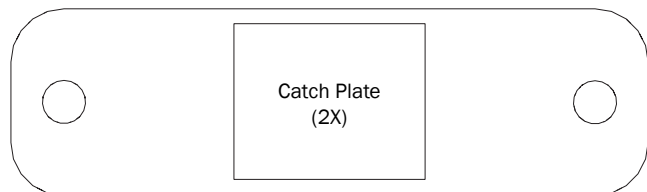
#10-24 x .75" Phillips Head Screw (12X)



Plusnut Tool (1X)



Plusnut (16X)



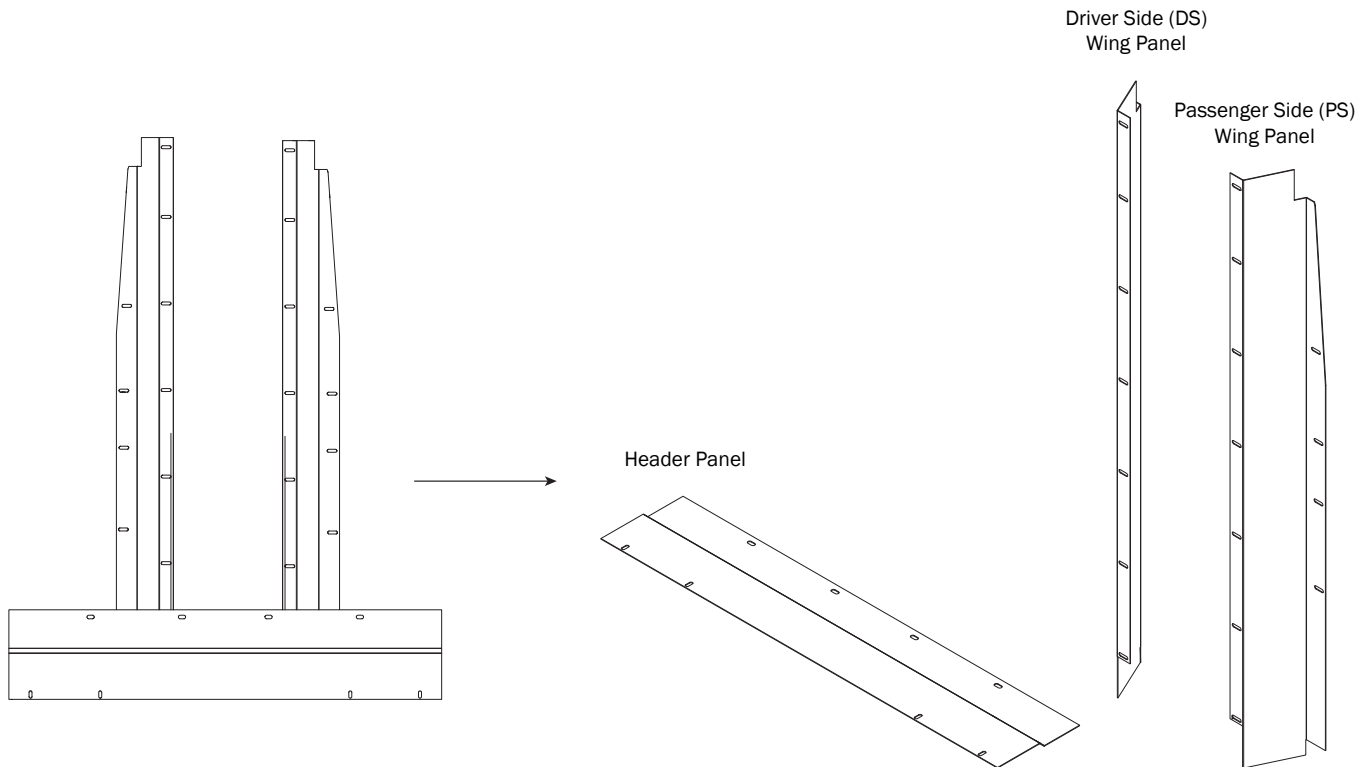
Catch Plate (2X)

**REQUIRED: HEADER & SIDE WINGS ASSEMBLY  
(ORDERED SEPARATELY) ACCORDING TO VEHICLE CONFIGURATION**



NOTE: Assembly shown is for illustrative purposes only. Configurations vary according to vehicle fitting. See table below.

8—Header & Side Wing Kit ..... (Qty 1)



Modular Cargo Van Sliding Partition Matrix					
Full Van Layout Model Number	Vehicle	Roof Height	Material	Universal Sliding Door	Header and Side Wings
MSP-A125-FT-HR	Ford Transit	High	Aluminum	MSP-A125	AWK-FT-HR
MSP-A125-FT-MR	Ford Transit	Medium	Aluminum	MSP-A125	AWK-FT-MR
MSP-S16-FT-HR	Ford Transit	High	Steel	MSP-S16	SWK-FT-HR
MSP-S16-FT-MR	Ford Transit	Medium	Steel	MSP-S16	SWK-FT-MR
MSP-A125-PM-HR	RAM ProMaster	High	Aluminum	MSP-A125	AWK-PM-HR
MSP-S16-PM-HR	RAM ProMaster	High	Steel	MSP-S16	SWK-PM-HR
MSP-A125-MS-HR	Mercedes Sprinter	High	Aluminum	MSP-A125	AWK-MS-HR
MSP-A125-MS-STD	Mercedes Sprinter	Standard	Aluminum	MSP-A125	AWK-MS-STD
MSP-S16-MS-HR	Mercedes Sprinter	High	Steel	MSP-S16	SWK-MS-HR
MSP-S16-MS-STD	Mercedes Sprinter	Standard	Steel	MSP-S16	SWK-MS-STD

## TOOL LIST AND PLUS NUT APPLICATION



**INSTALLER NOTE:** ALWAYS check for clearance on the the vehicle before drilling any holes for the installation of any equipment. Look for any obstructions such as fuel tanks, fuel lines, brake lines, or electrical wiring and components. If any floor drill point is less than 2" from a fuel system component you should move it to another location or reverse the fastener so that the head is under the floor. Always drill with caution and use drill stops. Wear eye protection when drilling.

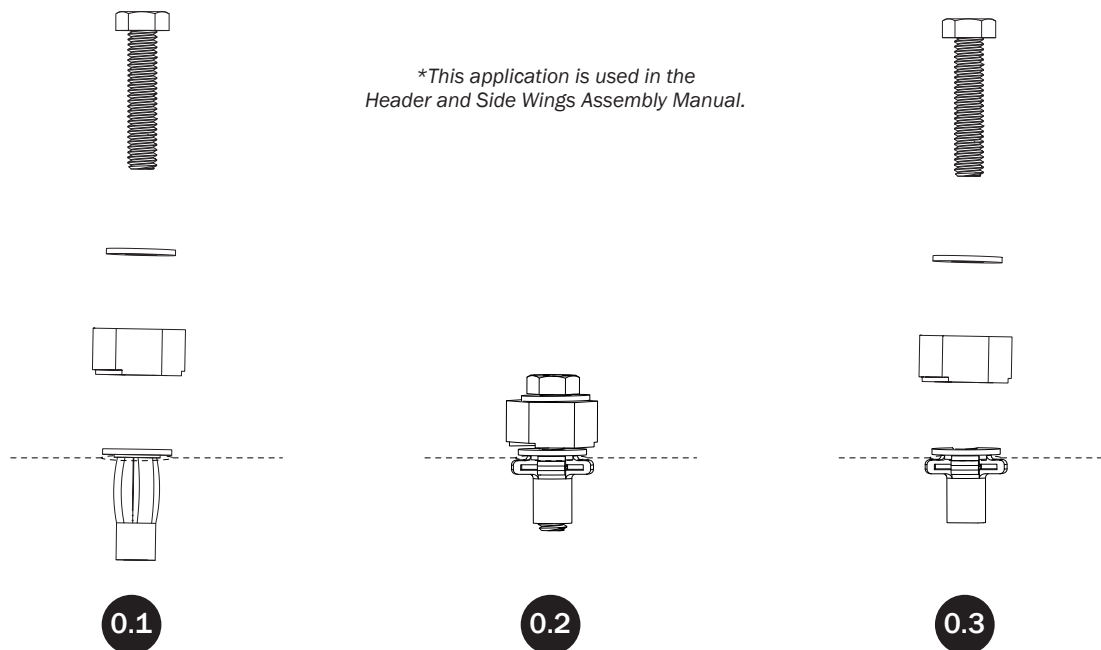
- Adjustable wrench
- Phillips screwdriver
- $1\frac{1}{32}$ ",  $7\frac{1}{16}$ ",  $7\frac{1}{8}$ ", and  $\frac{1}{2}$ " sockets or wrenches
- Small mallet
- Hammer
- Center Punch
- 1" Hole Saw (For RAM ProMaster only)

### TOOLS NEEDED:

- Safety glasses
- Windex/Spray Lubricant
- Battery or air drill & driver
- Metal Shears

### HOW TO SET A PLUSNUT WITH THE PROVIDED PLUSNUT TOOL

- Lay out the holes with a marker where each Plusnut is to go and then drill the proper size hole in the sheet metal ( $\frac{1}{2}$ " diameter for this application).
- When you have a situation where placing a nut on a bolt is impossible, use the Plusnut blind fasteners. This blind fastening method is illustrated below with the optional Plusnut Tool.
- Make sure each Plusnut is set properly before installing the equipment.
- Insert the Plusnut into the hole and set it using the Plusnut Tool, a Flat Washer, and a 1.75" Hex Head Bolt. The bolt is used only to pull the backing of the Plusnut against the inaccessible side of the sheet metal.
- Remove the 1.75" Bolt and the Plusnut Tool. The Plusnut is ready to be used.
- If neither nut and bolt nor Plusnut fastening are possible, use sheet metal screws as a last resort.



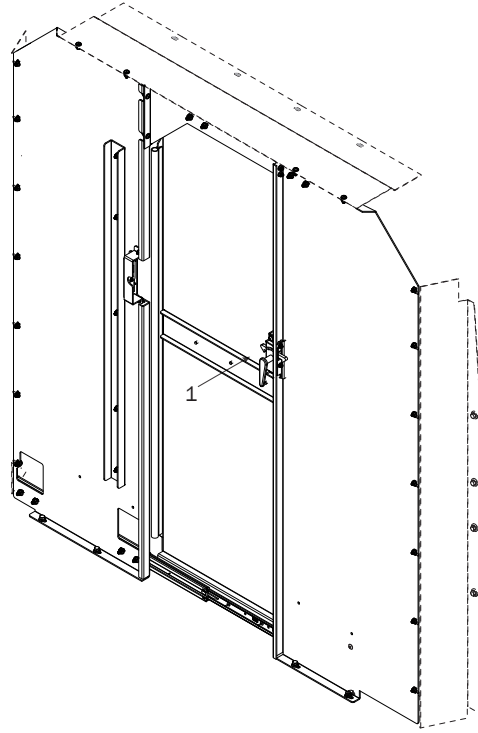
**0.1**  
Assemble the Plusnut, Plusnut Tool, Flat Washer and 1.75" Hex Head Bolt and insert into  $\frac{1}{2}$ " hole as shown.

*\*This application is used in the Header and Side Wings Assembly Manual.*

**0.2**  
Use  $\frac{7}{8}$ " open end wrench to hold the Plusnut Tool and with  $\frac{1}{2}$ " wrench, tighten the Bolt until the Plusnut fastener collapses. Do not overtighten.

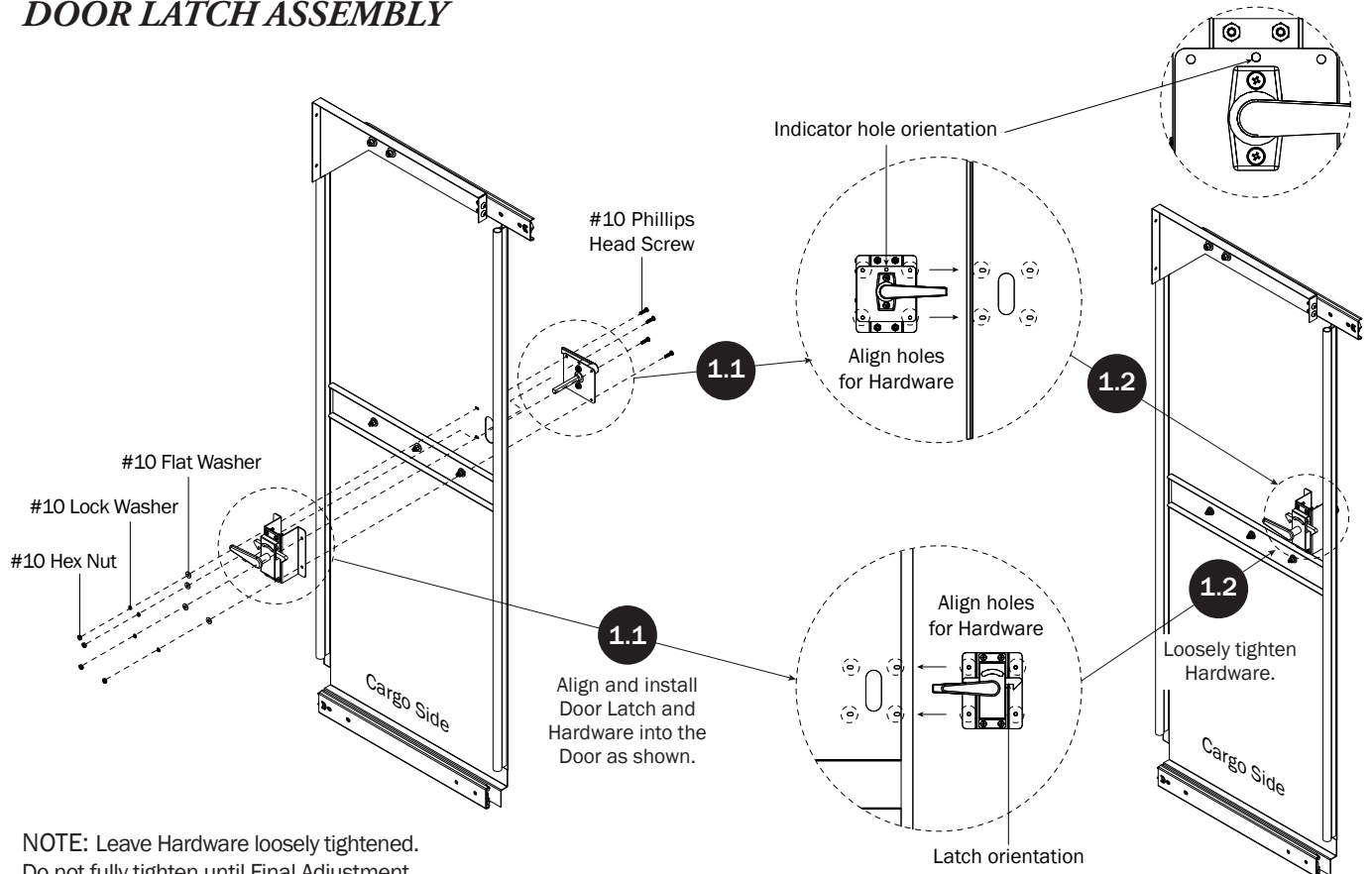
**0.3**  
Remove the Bolt, Flat Washer, and Plusnut Tool. Install Fastening Hardware according to your Assembly Instruction sequence.

## UNIVERSAL SLIDING DOOR ASSEMBLY SEQUENCE



NOTE: Assembly Instructions are shown with the ProMaster Header and Side Wing configuration for illustrative purposes only.

### DOOR LATCH ASSEMBLY



NOTE: Leave Hardware loosely tightened.  
Do not fully tighten until Final Adjustment Steps in the Side Wings Assembly Manual.

USAM-MSPA125/S16-US01 Rev-B 0222