

## ASSEMBLY INSTRUCTIONS

# GMC SAVANA CARGO- REGULAR

This document presents the detailed procedures for assembling Legend Fleet components and accessories.

Customers can make use these step-by-step procedures and easily assemble without major difficulty.



# LEGEND

---

## FLEET SOLUTIONS

---

519 688 1043  
[customercare@legendfleet.com](mailto:customercare@legendfleet.com)

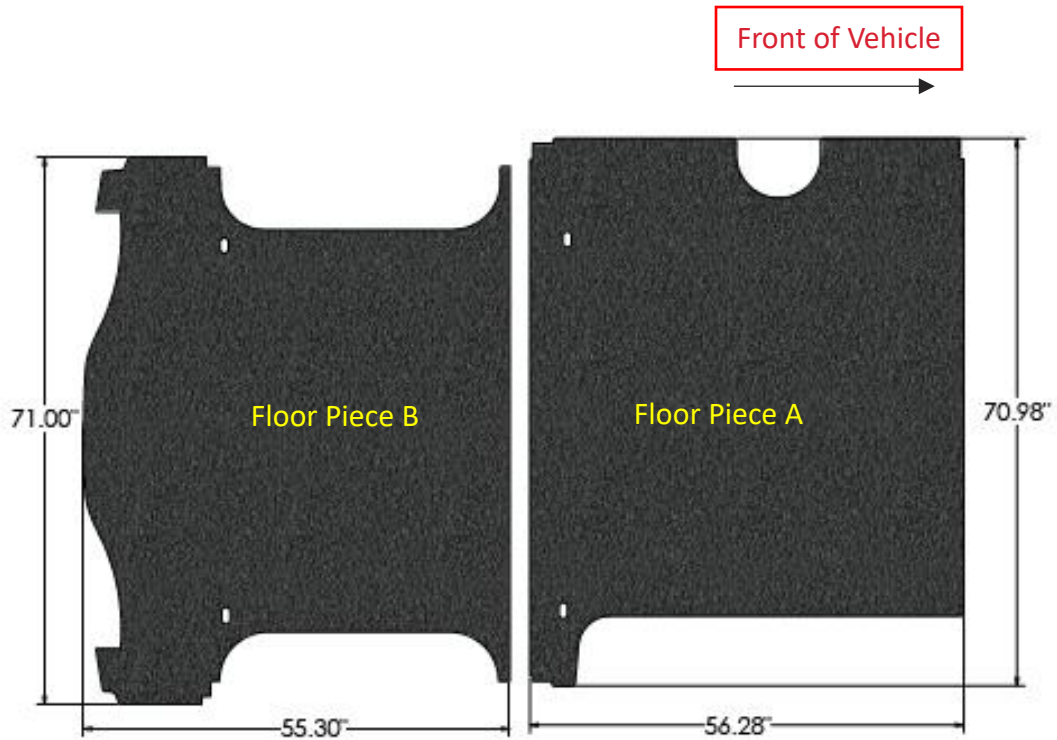
56957 HWY 3 WEST,  
TILLSONBURG,  
ON N4G 4G8.

## Table of Contents

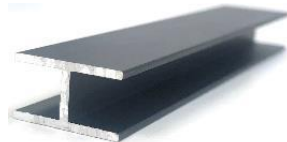
Floor.....	3
Floor Sills .....	6
Wall Liners.....	9
Ceiling Liners.....	12
Top Sills.....	14
Door Liners - <b>Sliding Door</b> .....	16
Door Liners - <b>Barn Door</b> .....	18

# Floor

## Parts and Hardware



1 X



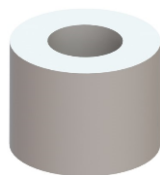
**RAIL JOINT (70.5")**

1X



**GLUE**

4 X



**SPACER**

4 X



**M10 BOLT**

4 X



**M10 FLAT WASHER**

## Assembly instructions

**Remove the following items before floor installation:**

1. OEM Plastic Trim
2. D-Rings
3. Tie-Downs
4. Other installed parts

**Apply a thin line of glue in both the grooves of the Rail Joints, that is supplied with Legend's floor.**

**Step 1:** Install Floor Piece A, as shown below.



Figure 1

**Step 2:** Install the Parts in the following order after installing Floor Piece A as shown below.

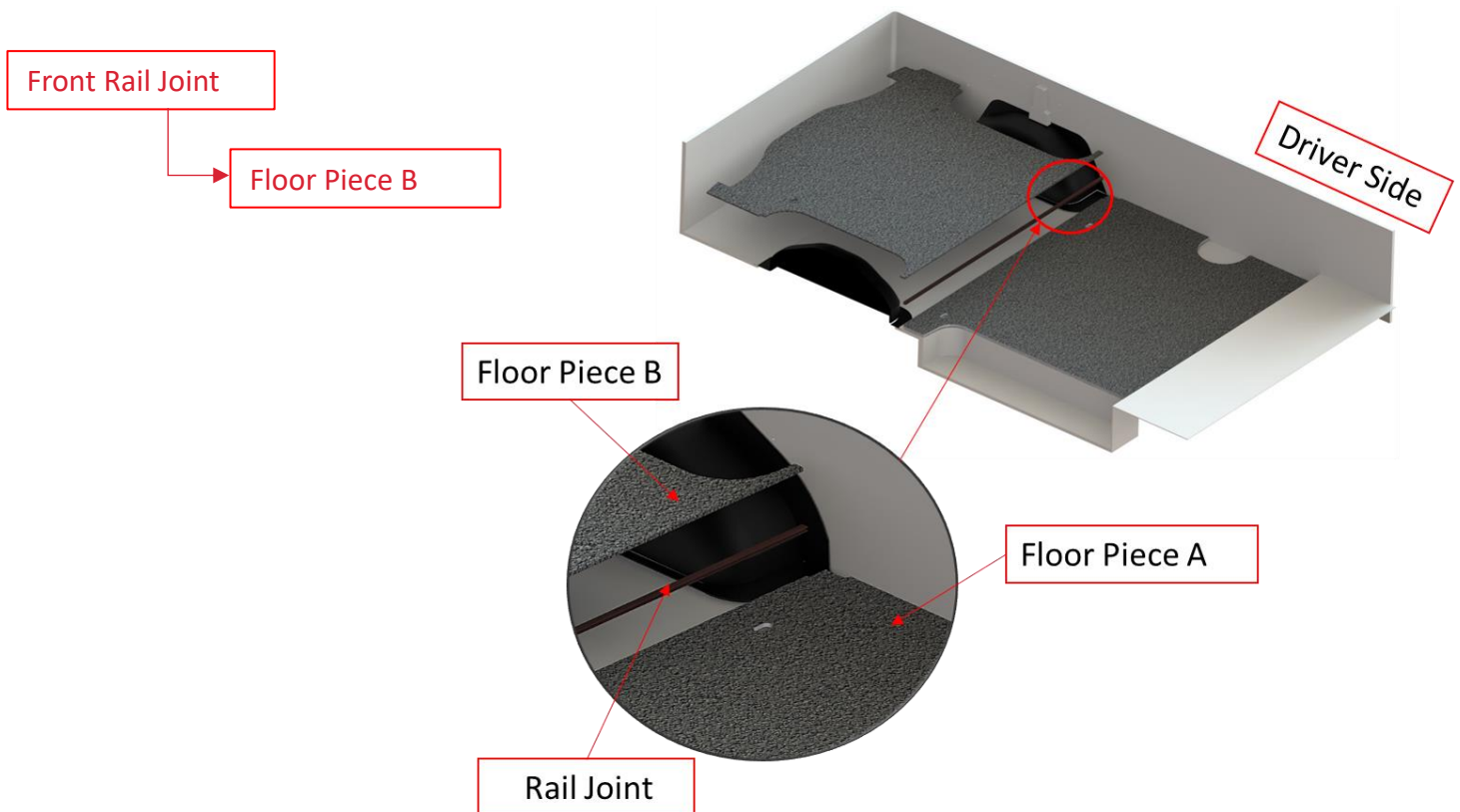


Figure 2

**Step 3:** Place the Spacers between the slots of the Floor as shown below.

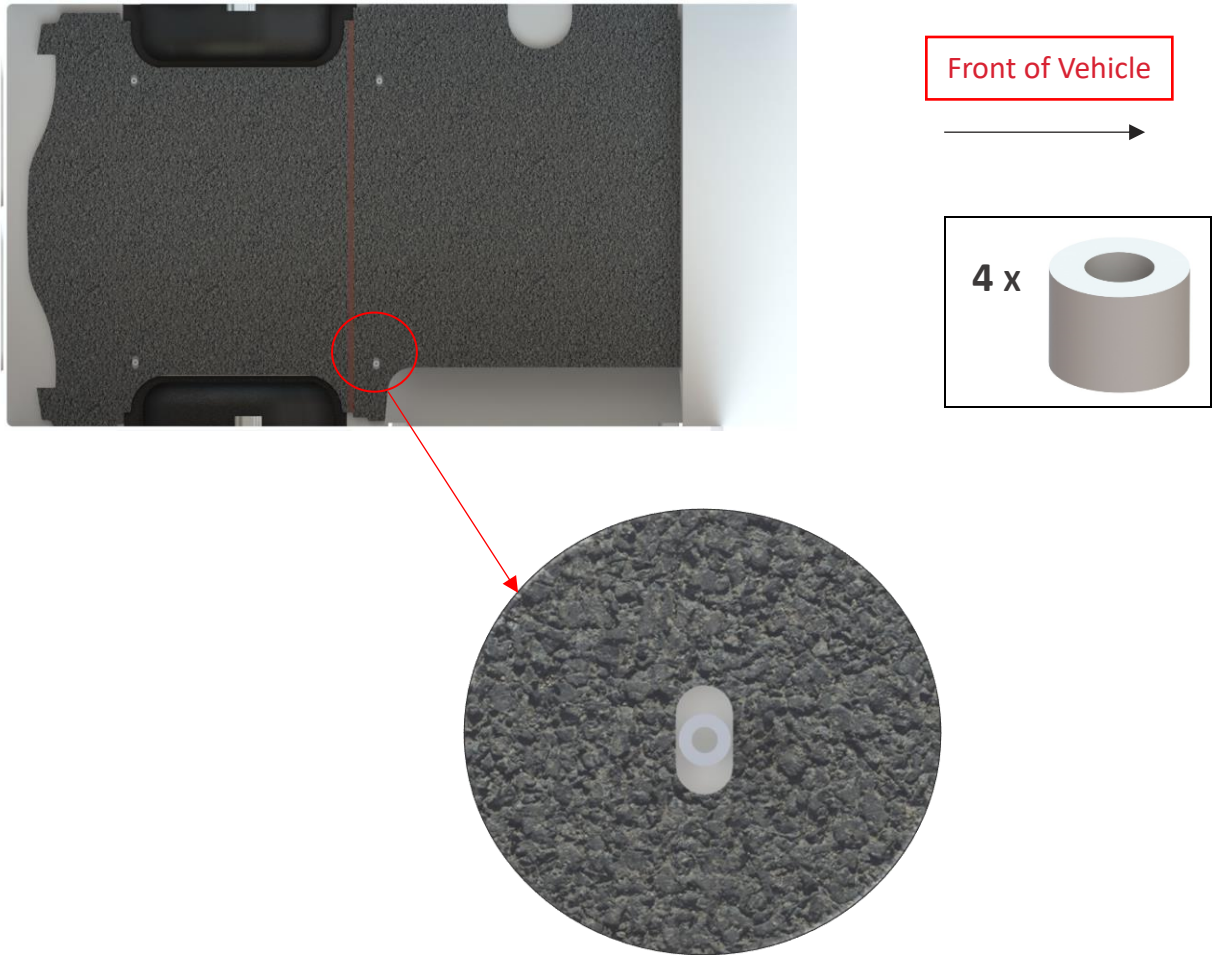


Figure 3  
 “Spacers between the slots of the Floor”

**Step 4:** Replace the OEM bolt in each D-Ring with combination of M10 Bolt and a flat washer as shown below.

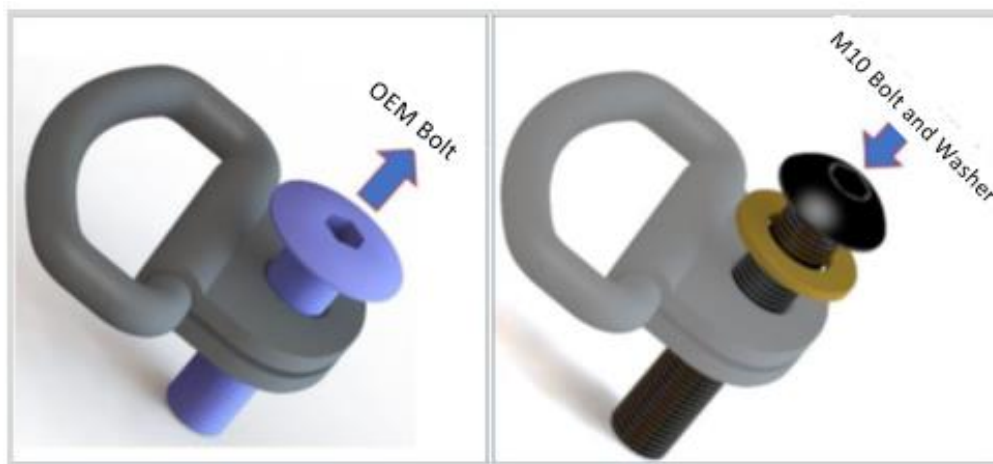
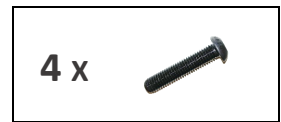
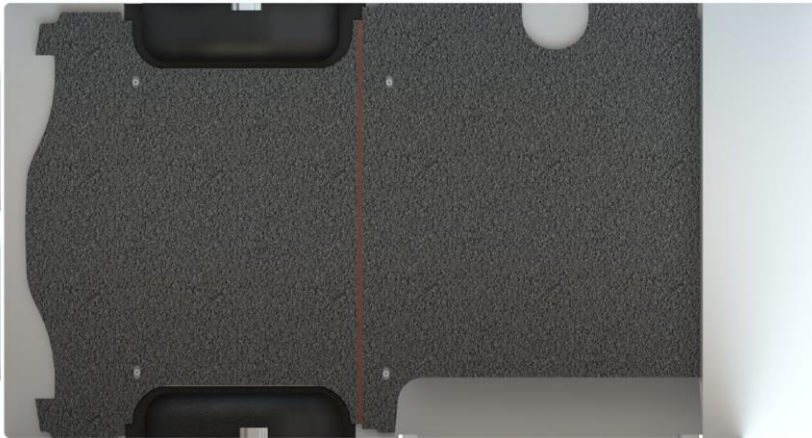


Figure 4

**Step 5:** complete the installation of Legend Floor.



*Figure 5*

**“Floor Installed”** *This view is from Inside of Van-Viewing from Top*

# Floor Sills

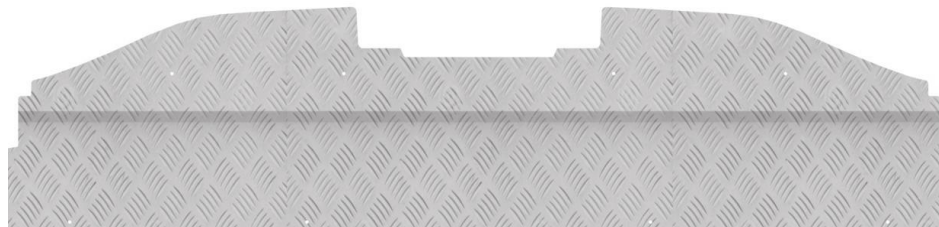
## Parts and Hardware

1 X



SIDE SILL

1 X



REAR SILL

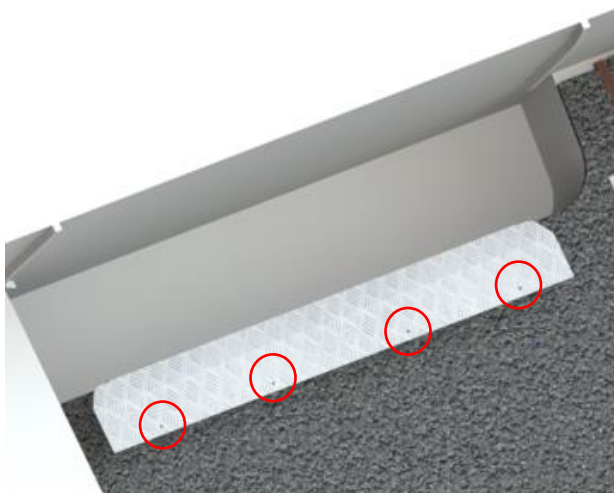
12 X



PAN-HEAD SCREW

## Assembly Instructions

**Step 1:** Position the Side Sill on Legend's Floor. Place the Pan Head Screws (4 Nos) to the Floor as shown below

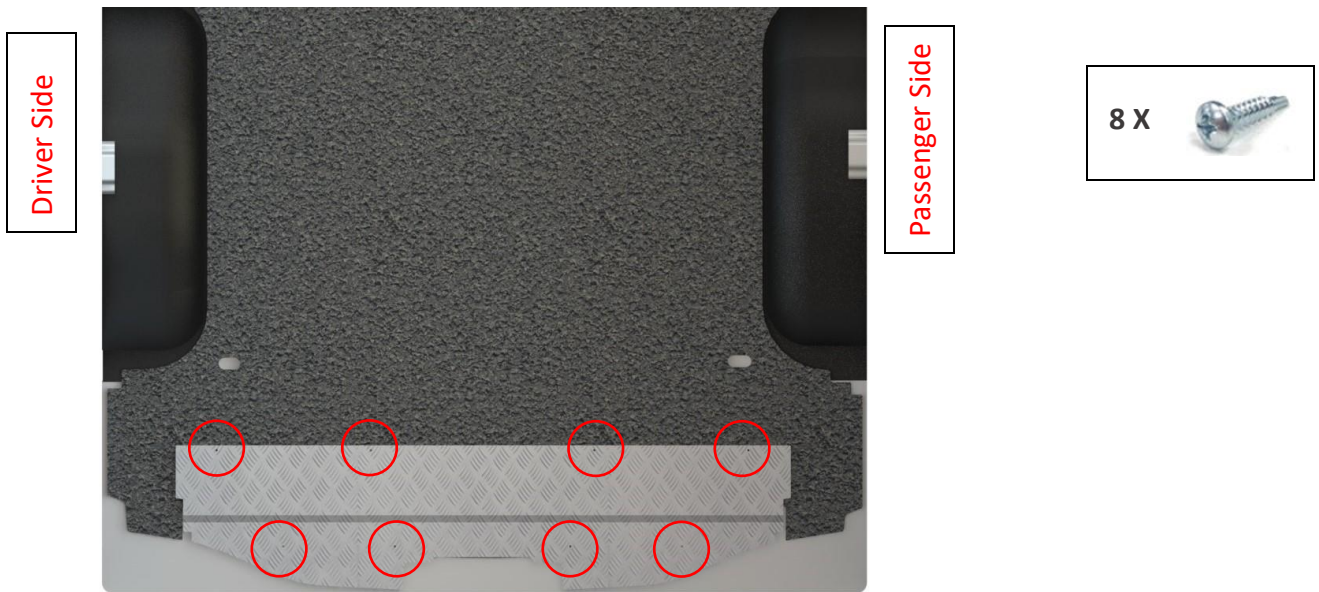


4 X



Figure 6  
"Positioning and Fixing of the Side Sill"

Step 2: Position the Rear Sill on Legend's Floor.



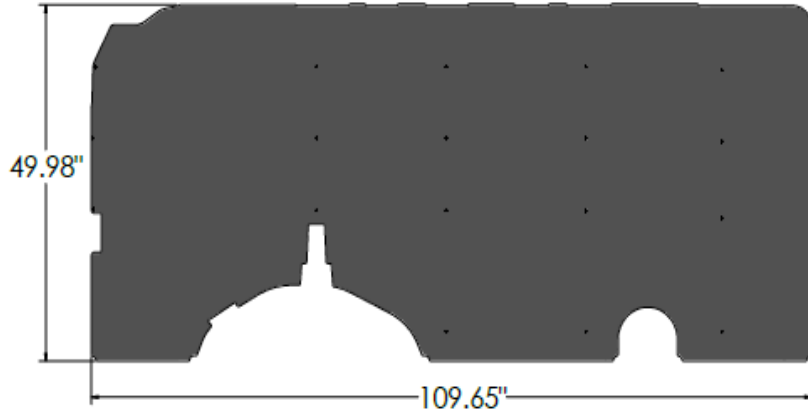
*"Positioning and Fixing of the Rear Sill"*

*Figure 7*

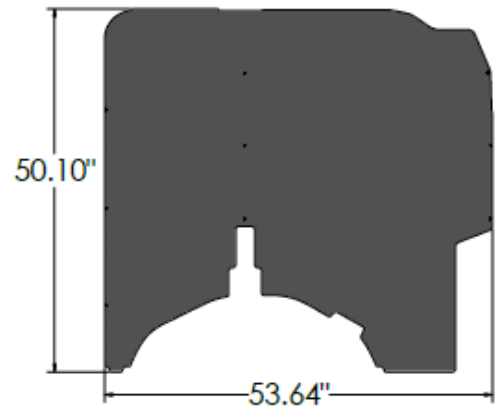


# Wall Liners

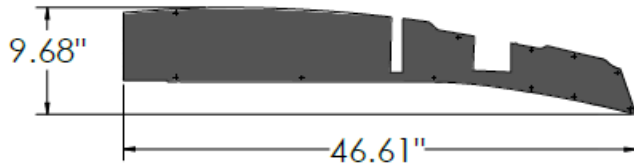
## Parts and Hardware



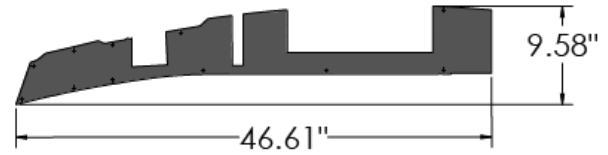
**DRIVER SIDE FRONT WALL LINER (D1A)**



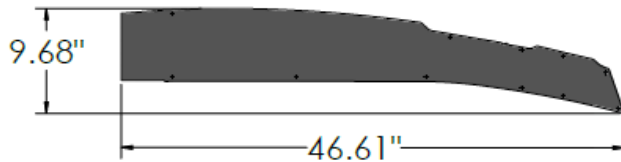
**PASSENGER SIDE FRONT WALL LINER (P1A)**



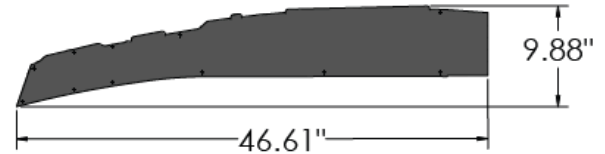
**DRIVER SIDE FRONT WALL LINER (D2A1)**



**PASSENGER SIDE FRONT WALL LINER (P2A1)**



**DRIVER SIDE FRONT WALL LINER (D2A2)**



**PASSENGER SIDE FRONT WALL LINER (P2A2)**

49 X



**SCREW CAP**

49 X



**SELF-DRILLING SCREW**

## Assembly Instructions

**Step 1:** Bring the (D1A) Liner into the vehicle and align the holes on the panel with the ones present on the vehicle's body.

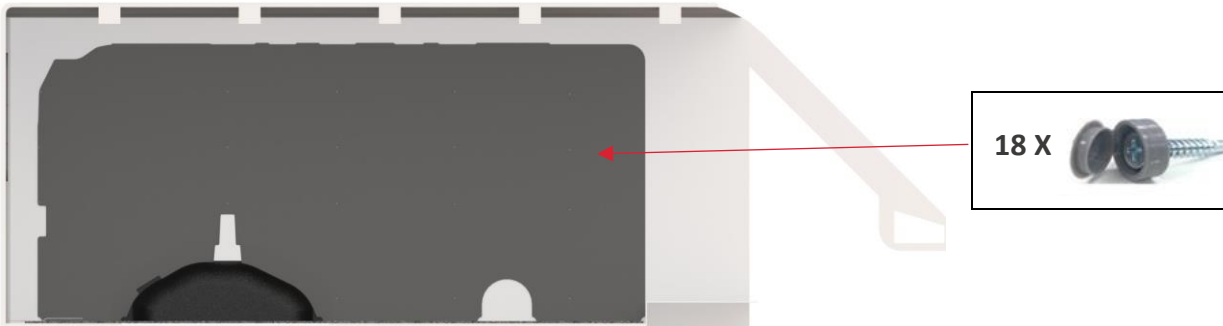


Figure 8

*"Driver Side Front Wall Liner Installed" This is view from Inside of the Van- Viewing from Passenger Side*

**Step 2:** Bring the (P1A) Liner into the vehicle and align the holes on the panel with the ones present on the vehicle's body.



Figure 9

*"Passenger Side Front Wall Liner Installed" This is view from Inside of the Van- Viewing from Driver Side*

**Step 3:** Bring the (P1A1/P2A2 & D2A1/D2A2) Liner into the vehicle and align the holes on the panel with the ones present on the vehicle's body.



Figure 10

*"Driver & Passenger Side Rear Liners (D2A1 & P2A1) are Installed" This is view from Inside of the Van- Viewing from Front Side*

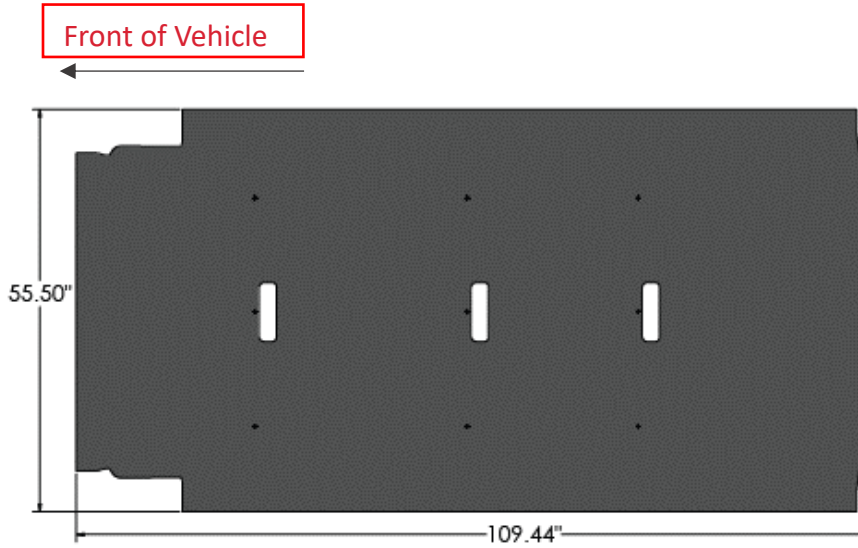


Figure 11

*"Driver & Passenger Side Rear Liners (D2A2 & P2A2) are Installed" This is view from Inside of the Van- Viewing from Front Side*

# Ceiling Liners

## Parts and Hardware



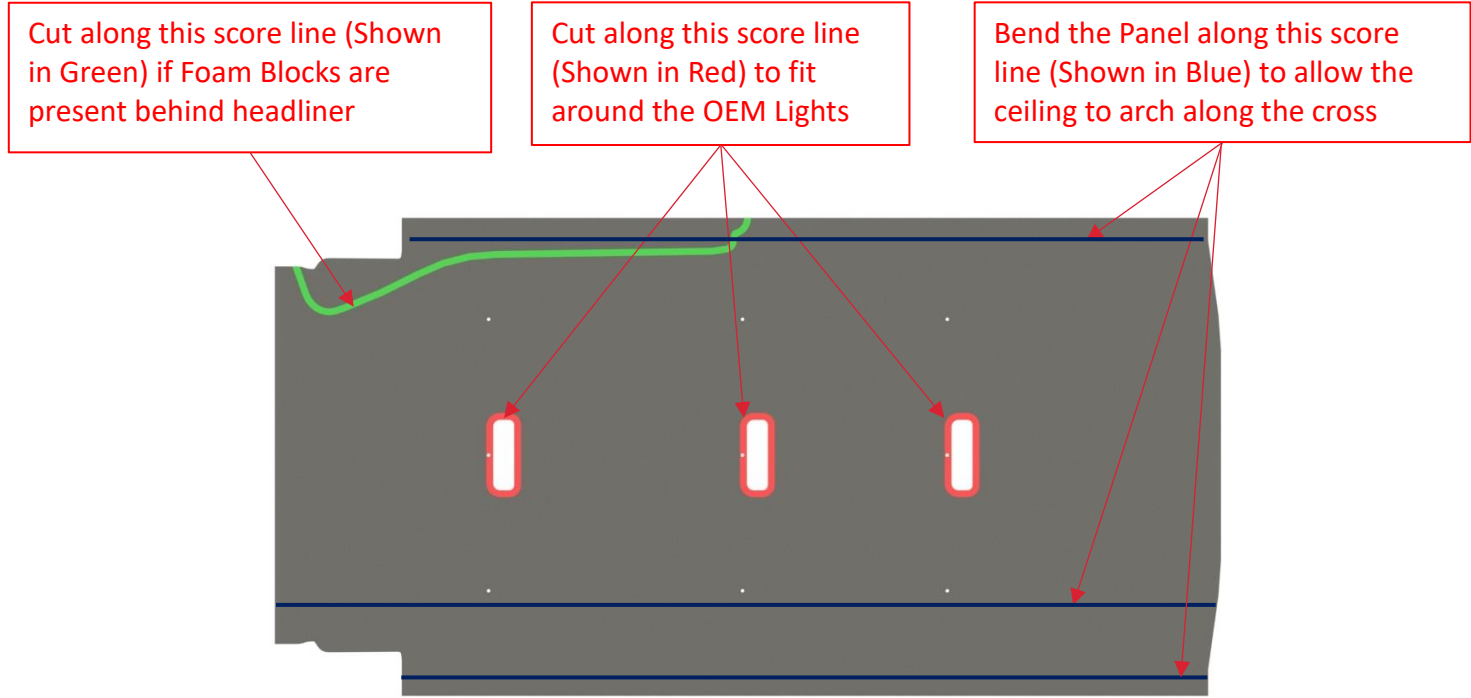
CEILING PIECES

9 X



PUSH-IN RIVET

# Assembly Instructions



**Step 1:** Install Ceiling Piece, as shown below.

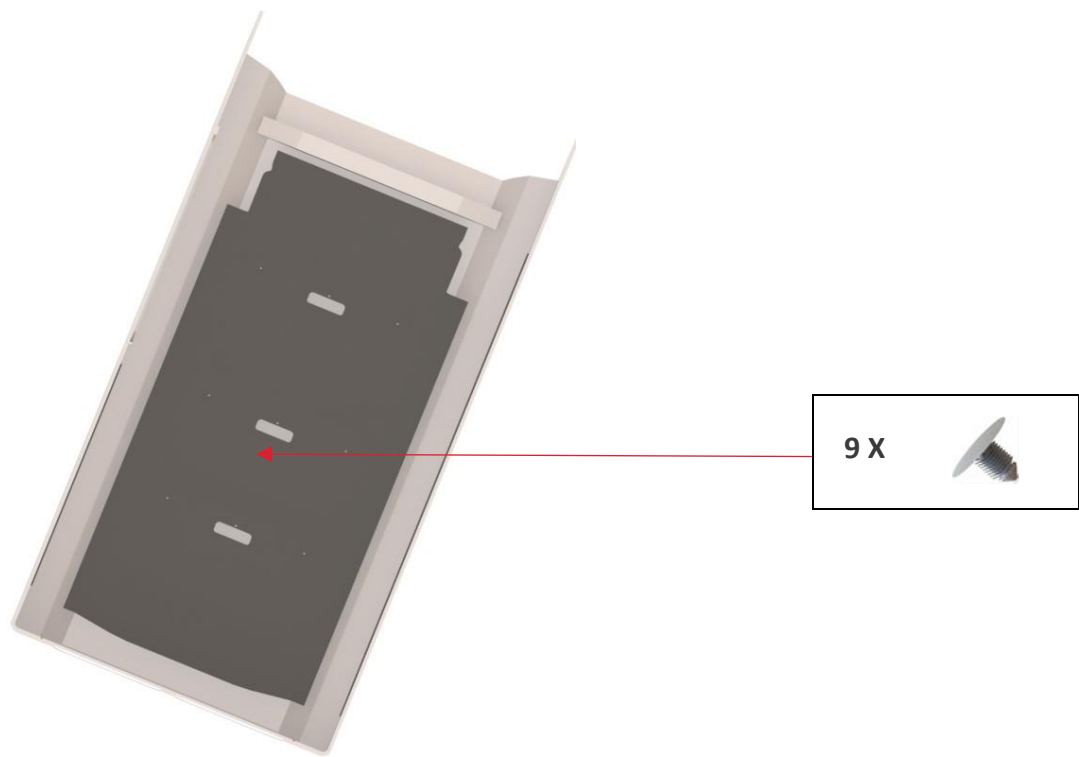


Figure 12

*"Positioning and Fixing of the Ceiling Panel" This View is from Inside of the Van*

# Top Sills

## Parts and Hardware



SILL B



SILL A



SILL C



SILL A1

DRIVER SIDE SILL

PASSENGER SIDE SILL

25 X



PAN-HEAD SCREW

# Assembly Instructions

**Assembly of the Top Sills is to be done outside of the Van before installing it in the Van.**

**Step 1:** Fasten assembled sills in the Van.

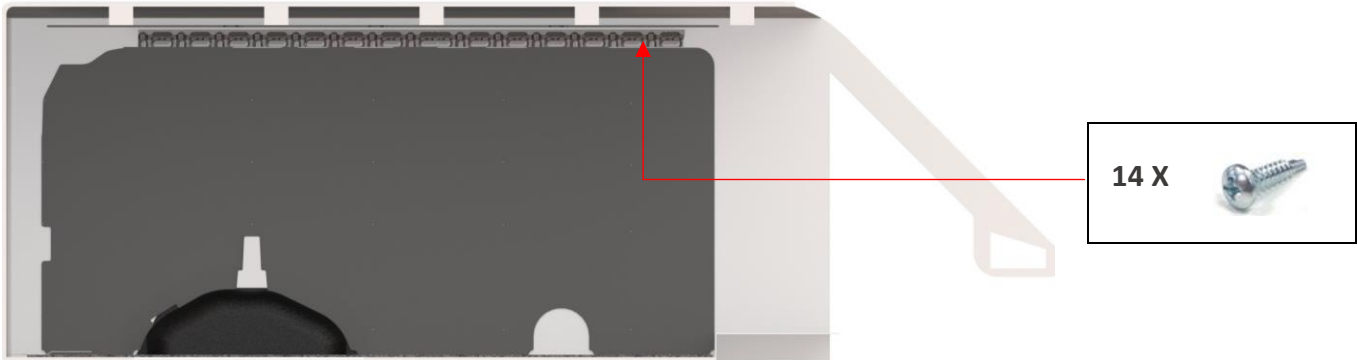


Figure 13  
*"Driver side Top Sills installed"*

**Step 2:** Fasten assembled sills in the Van.

**NOTE:** Sill A1 is only used with the Side Barn Doors, not used with Sliding Door.

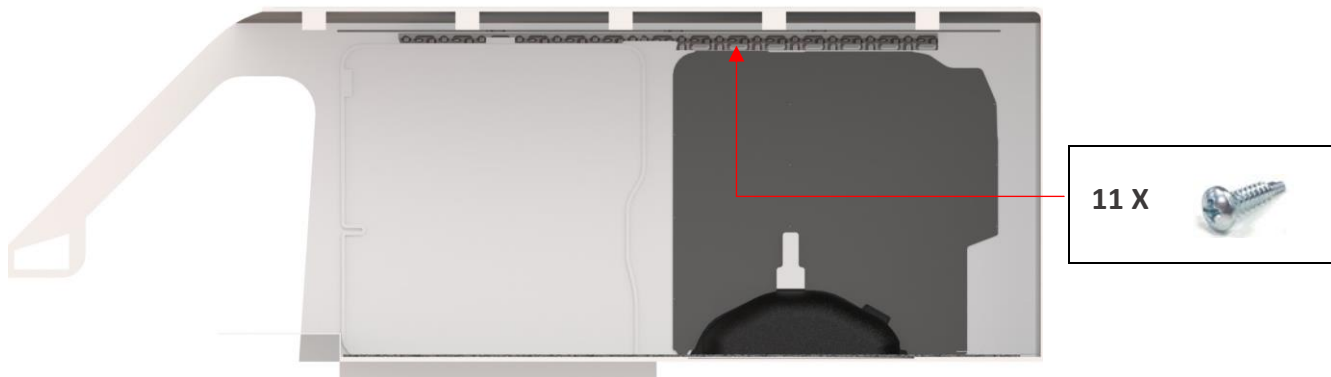
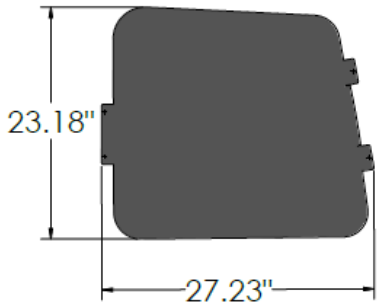


Figure 14  
*"Passenger side Top Sills installed"*

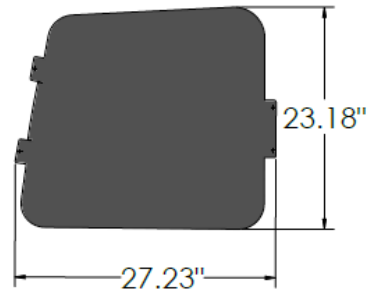
**Step 3:** Fasten assembled sills in the Van.

# Door Liners - Sliding Door

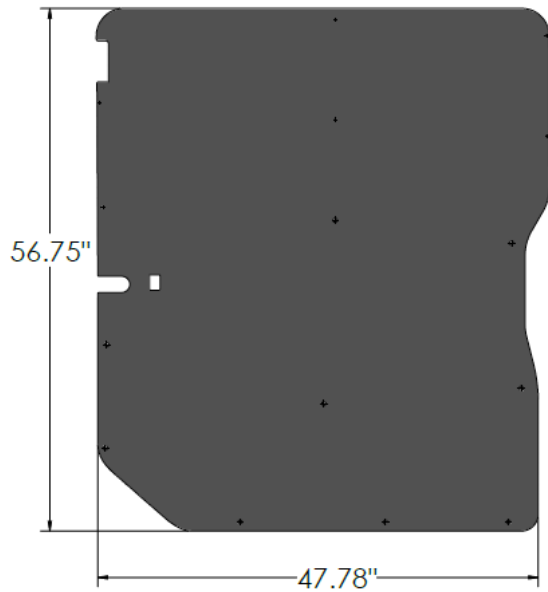
## Parts and Hardware



**DRIVER SIDE REAR DOOR LINER(DRA)**



**PASSENGER SIDE REAR DOOR LINER(PRA)**



**PASSENGER SIDE SLIDING DOOR LINER (PSA)**



**SCREWCAP**



**SELF-DRILLING SCREW**





**PUSH-IN RIVETS**



# Assembly Instructions

**Van Doors MUST be in close Position When Installing Door Liners.**

Hole Diameter ( $\varnothing$ ) = 0.40" = 

Hole Diameter ( $\varnothing$ ) = 0.20" = 

**Step 1: Rear Door Assembly.**

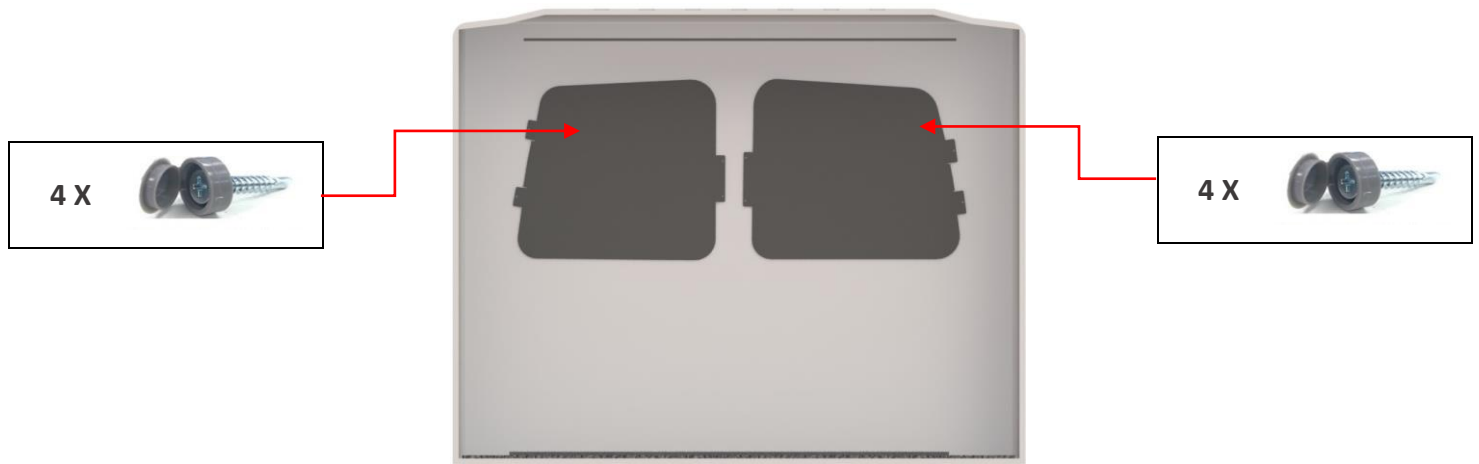


Figure 15  
"Rear Door Liners Installed"

**Step 2: Side Door Assembly.**

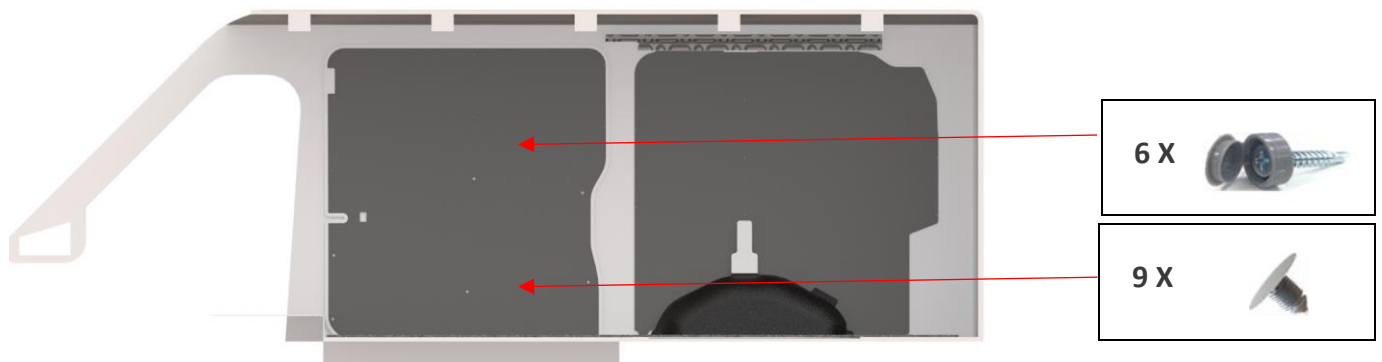
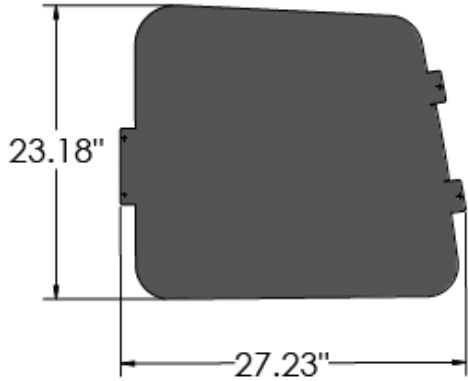


Figure 16  
"Passenger Side Sliding Door Liner Installed"

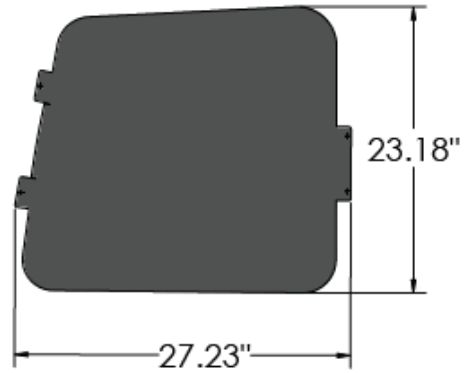
**Step 3: Installation of your Legend Door Liners is now complete.**

# Door Liners - Barn Door

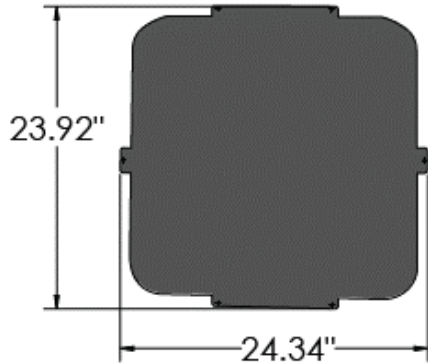
## Parts and Hardware



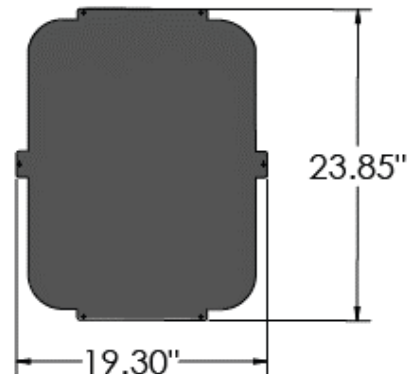
**DRIVER SIDE REAR DOOR LINER(DRA)**



**PASSENGER SIDE REAR DOOR LINER(PRA)**



**PASSENGER SIDE BARN DOOR LINER FRONT**



**PASSENGER SIDE BARN DOOR LINER REAR**

38 X



**SCREWCAP**

38 X



**SELF-DRILLING SCREW**

# Assembly Instructions

**Van Doors MUST be in close Position When Installing Door Liners.**

**Step 1: Rear Door Assembly.**



Figure 17  
"Rear Door Liners Installed"

**Step 2: Side Door Assembly.**

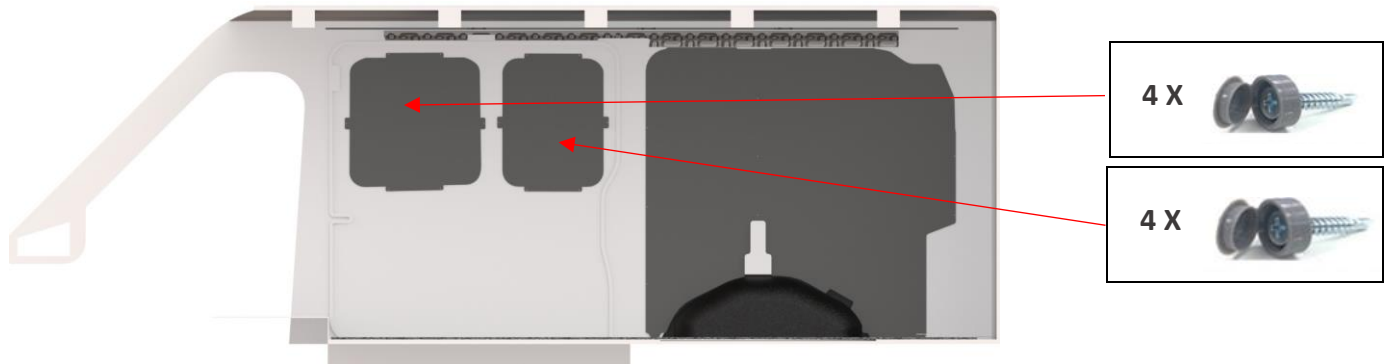


Figure 18  
"Passenger Side Barn Door Liner Installed"

**Step 3: Installation of your Legend Door Liners is now complete.**