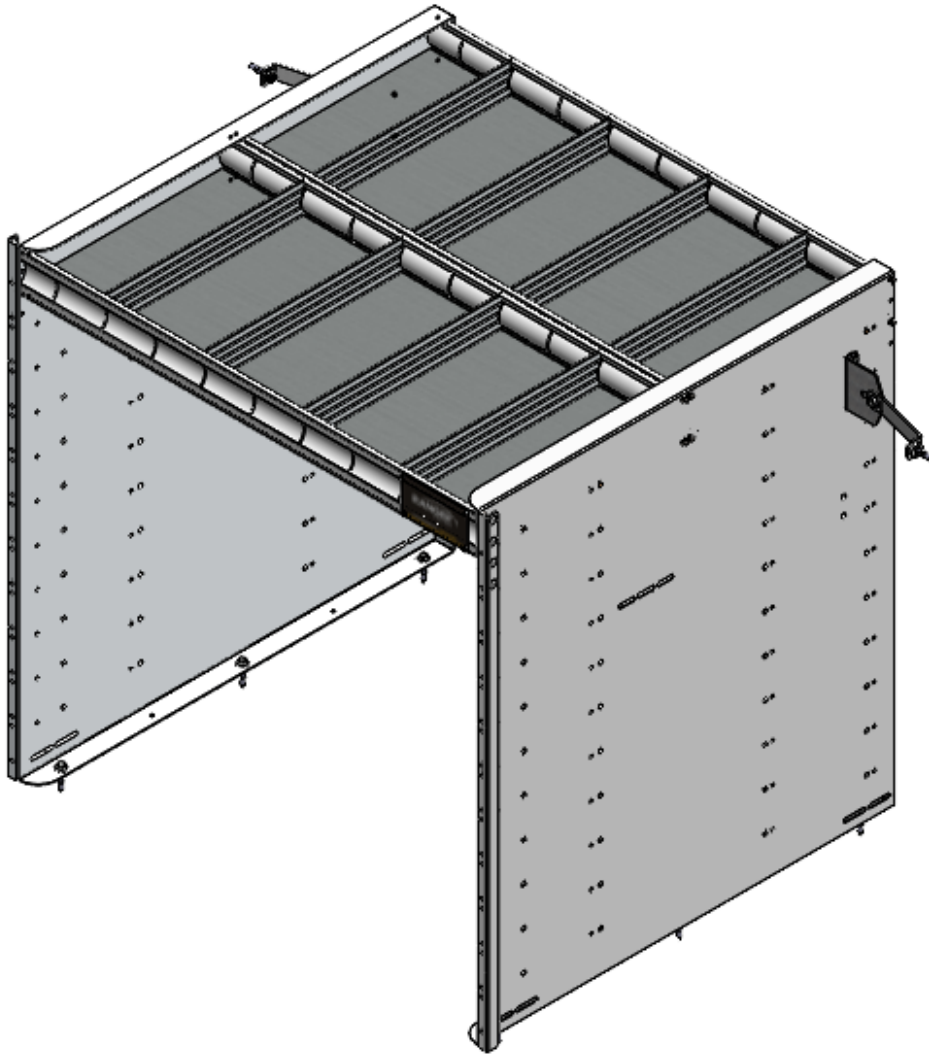


# QUICK START GUIDE

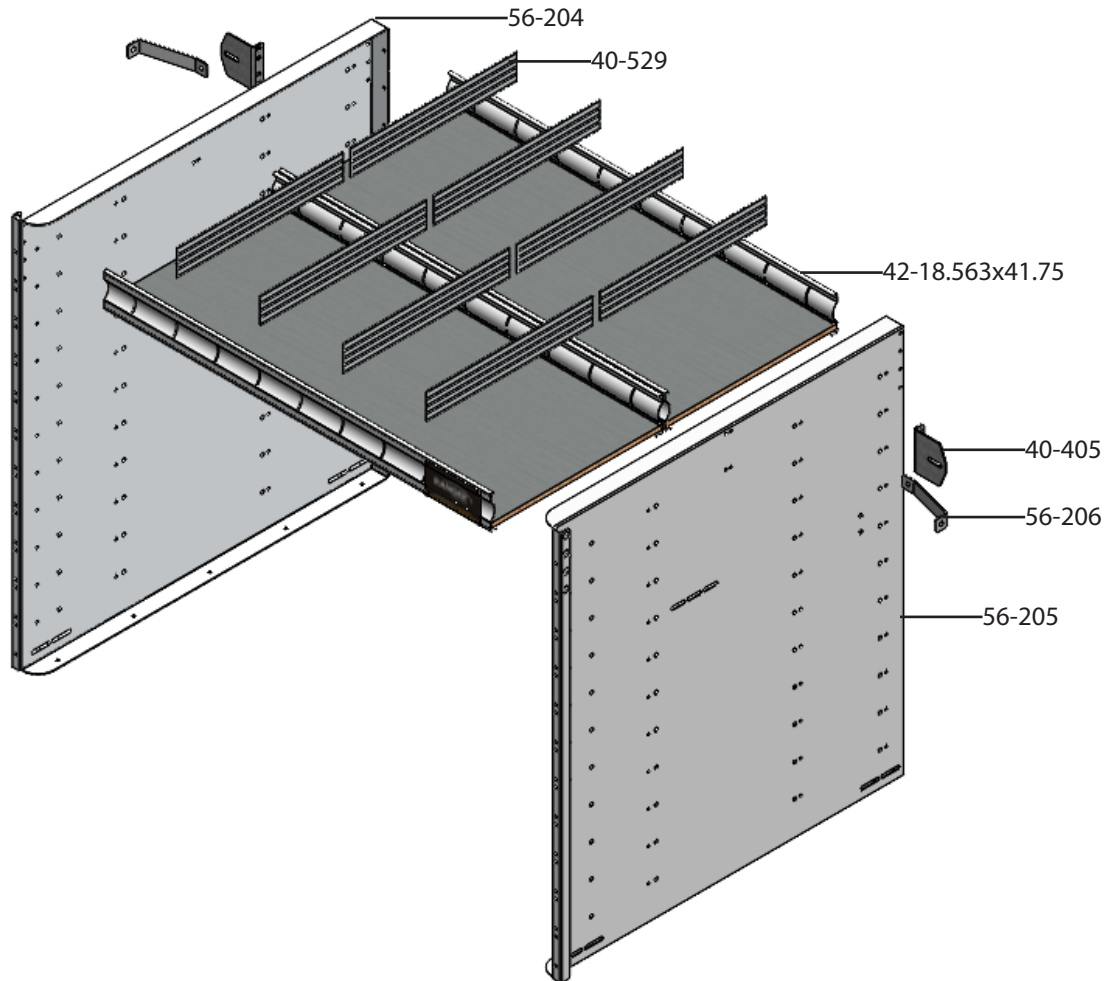


5037-0 Axess Tray Sliding Cargo Tray

# PHASE 1 – ASSEMBLY

## 1.1 SETUP

1.1.1 Unpack components; compare with the bill of materials.



1.1.2 Verify all parts are present.

### BILL OF MATERIALS

Item No.	Description	Qty.
56-204	Side Panel Left, 42" Axess Tray	1
56-205	Side Panel Right, 42" Axess Tray	1
40-405	Installation bracket	2
40-529	Shelf divider, 18"	8
56-206	Installation bracket, Axess Tray	2
94-5001	Customer Assembly Fastener Kit	1
96-5001	Customer Installation Fastener Kit	1