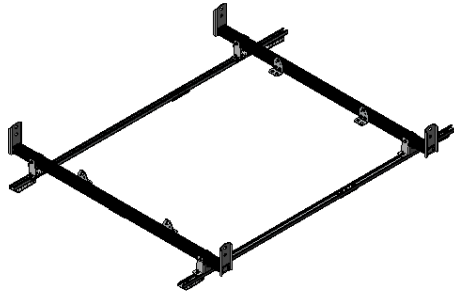
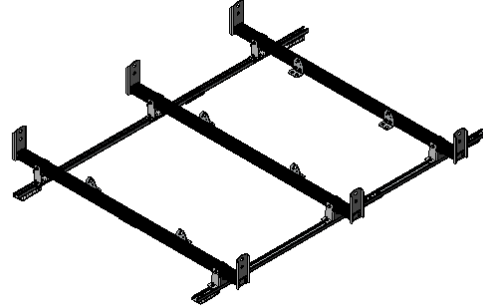


INSTALLATION GUIDE

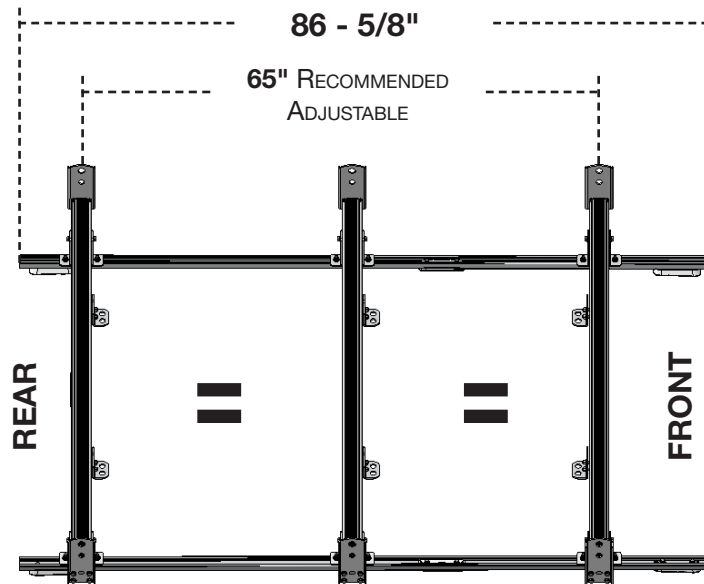
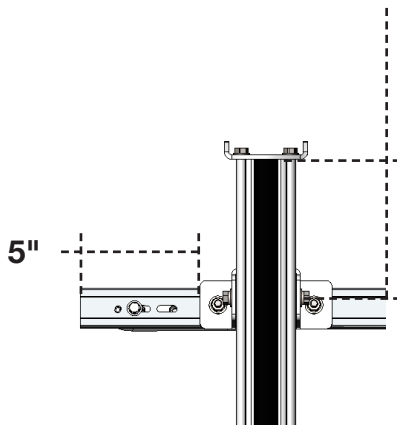
1605-MM



1605-MM3



6 - 1/4" (CENTER OF THE FEET TO THE END OF THE CROSSBAR)

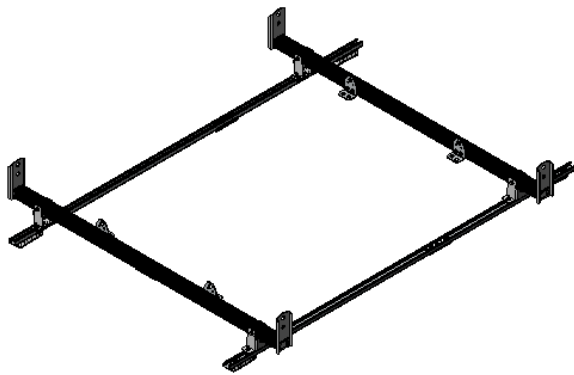


1605-MM OR 1605-MM3 CARGO RACK

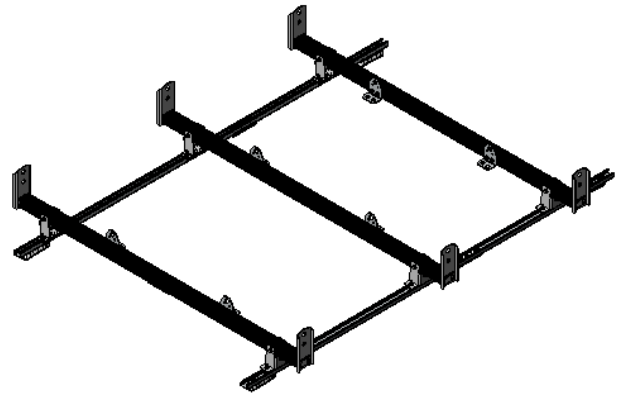
Metris



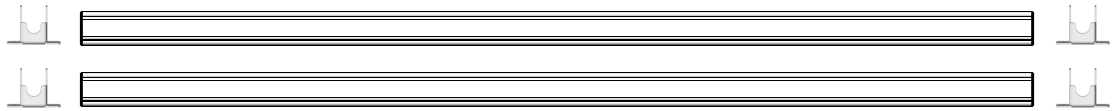
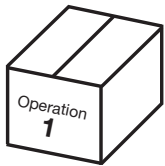
1605-MM



1605-MM3

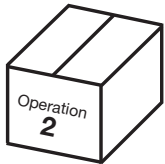


16-UCD66



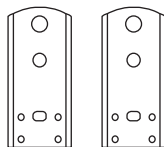
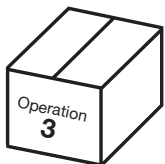
Applicable only for 3 bars rack (1605-MM3).

16-UCS66

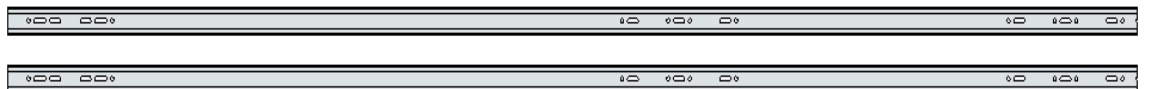
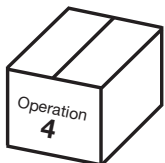


1 Cargo Rack kit for 1 crossbar

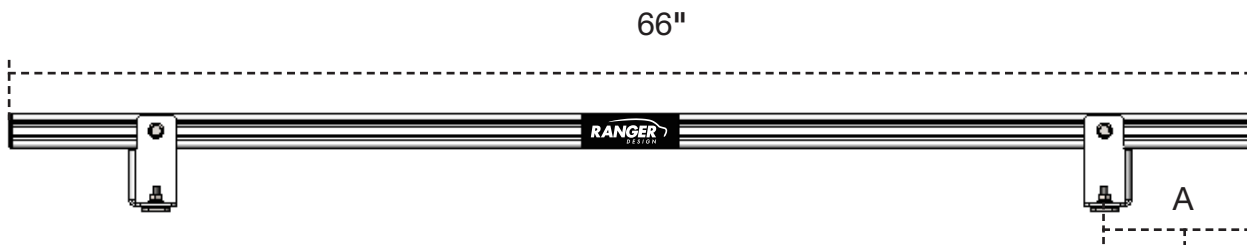
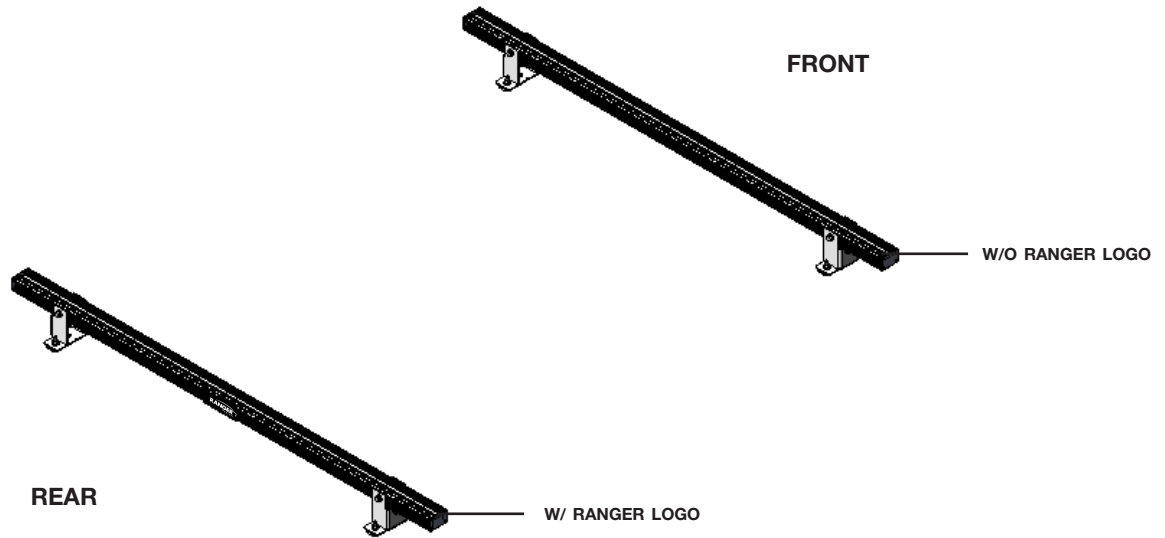
16-U0005



18-U0043



INSTALLATION GUIDE



FOOT PLACEMENT GUIDE

VEHICLE	DIMENSION (A)
METRIS	6 - 1/4"

16-UCD66 Crossbar

2 BARS (66")



QUICK START GUIDE

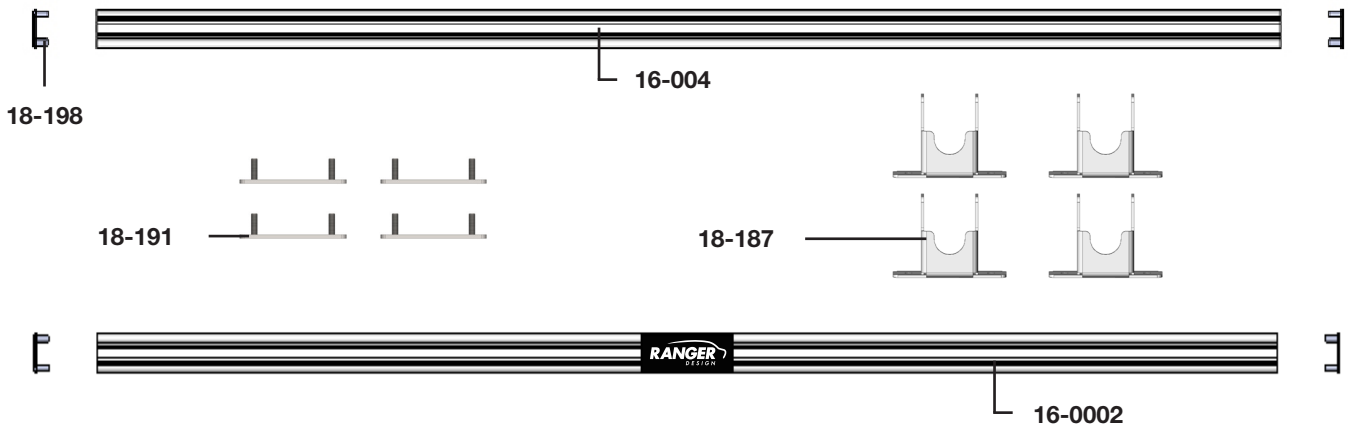
Phase 1 - Assembly

- 1.1.1 SETUP (VERIFY ALL PARTS ARE PRESENT)..... 2
- 1.2.1 ASSEMBLY (PUT THE CROSSBAR IN THE TABLE)..... 3

PHASE 1 – ASSEMBLY

1.1 SETUP

1.1.1 Verify all parts are present.



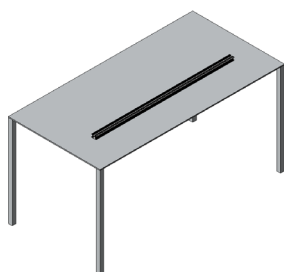
BILL OF MATERIALS

Item No.	Description	Qty.
18-187	Foot	4
16-004	Crossbar 66"	1
16-0002	Crossbar 66" w/ Ranger Logo	1
18-198	End Plastic Plug	4
18-191	Stud Plate	4
94-1806	Fastener kit	1

PHASE 1 – ASSEMBLY

1.2 PREPARATION

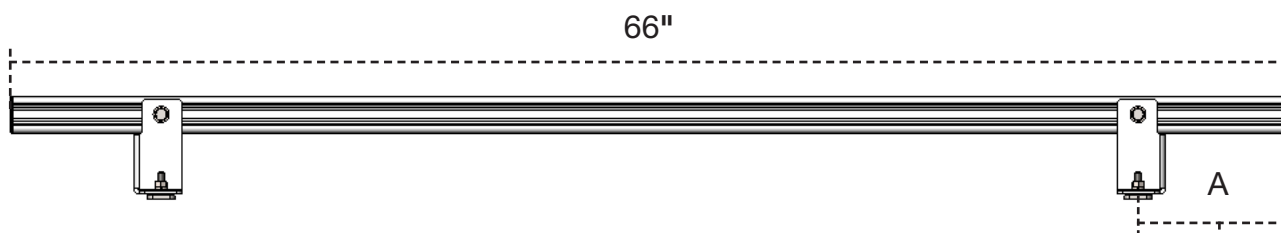
1.2.1 Remove one crossbar from the box and put the crossbar on the table.



NOTE:

OPEN THE NEXT BOX AND FOLLOW THE INSTALL GUIDE INSIDE THE BOX ON HOW TO ASSEMBLED YOU RACK.

INSTALLATION GUIDE



FOOT PLACEMENT GUIDE	
VEHICLE	DIMENSION (A)
METRIS	6 - 1/4"

16-UCS66 Crossbar

1 BAR (66")



QUICK START GUIDE

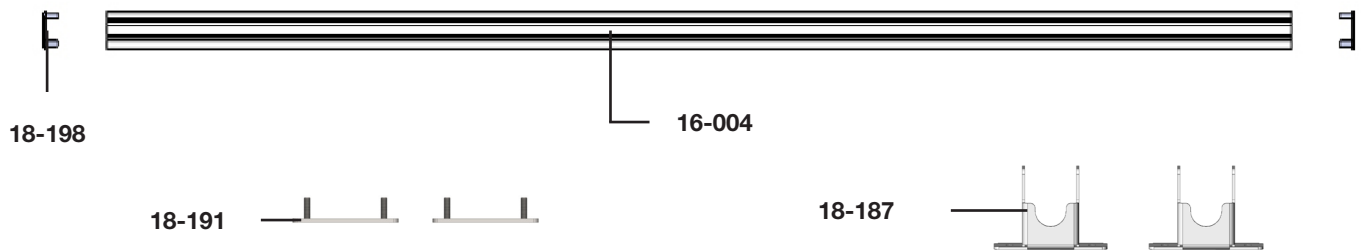
Phase 1 - Assembly

- ❑ 1.1.1 SETUP (VERIFY ALL PARTS ARE PRESENT)..... 2
- ❑ 1.2.1 ASSEMBLY (PUT THE CROSSBAR IN THE TABLE)..... 3

PHASE 1 – ASSEMBLY

1.1 SETUP

1.1.1 Verify all parts are present.



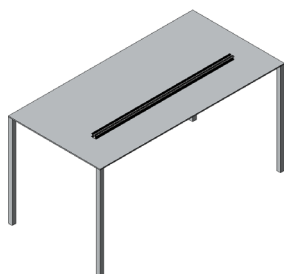
BILL OF MATERIALS

Item No.	Description	Qty.
18-187	Foot	2
16-004	Crossbar 66"	1
18-198	End Plastic Plug	2
18-191	Stud Plate	2
96-1805	Fastener kit	1

PHASE 1 – ASSEMBLY

1.2 PREPARATION

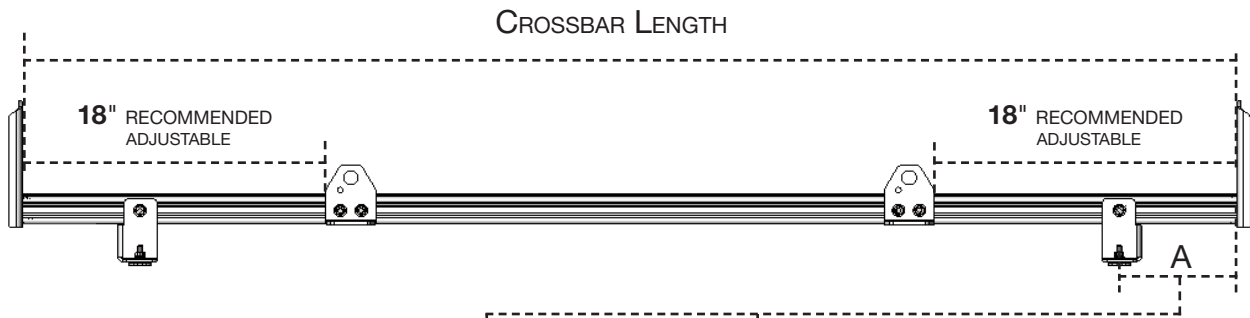
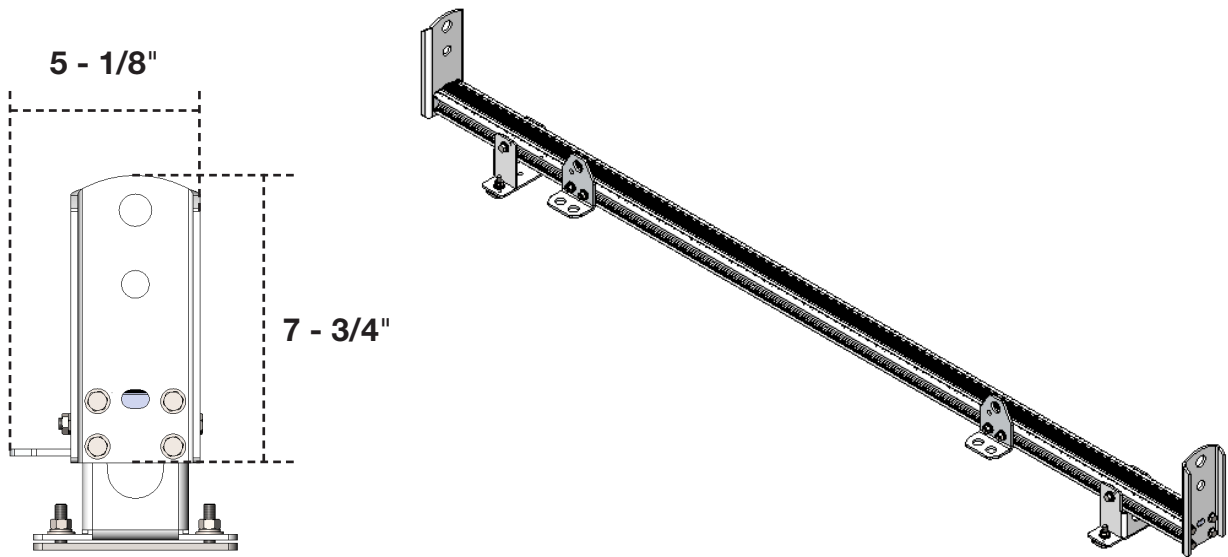
1.2.1 Remove crossbar from the box and put the crossbar on the table.



NOTE:

OPEN THE NEXT BOX AND FOLLOW THE INSTALL GUIDE INSIDE THE BOX ON HOW TO ASSEMBLE YOUR RACK.

INSTALLATION GUIDE



FOOT PLACEMENT GUIDE	
VEHICLE	DIMENSION (A)
NISSAN NV	7"
SPRINTER	10" HR, 6 - 1/2" LF
TRANSIT	8 - 7/8"
PROMASTER	7 - 1/16"

FOOT PLACEMENT GUIDE	
VEHICLE	DIMENSION (A)
METRIS	6 - 1/4"
PROMASTER CITY	6 - 7/8"
TRANSIT CONNECT	6 - 3/4"
NV200	7 - 3/4"

16-U0005 CARGO RACK KIT - SINGLE CROSSBAR

Crossbar not included in the Kit

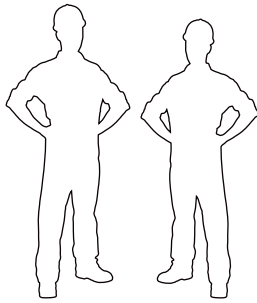


QUICK START GUIDE

Phase 1 - Assembly

- 1.1.1 SETUP (VERIFY ALL PARTS ARE PRESENT)..... 2 TO 4
- 1.2.1 ASSEMBLY (ATTACH TIE DOWNS, BRACKET - SIDE AND TRACK PLUG)..... 5
- 1.2.2 ASSEMBLY (ATTACH CROSSBAR TO THE MOUNTING TRACK)..... 6 - 7

REQUIRED ITEMS



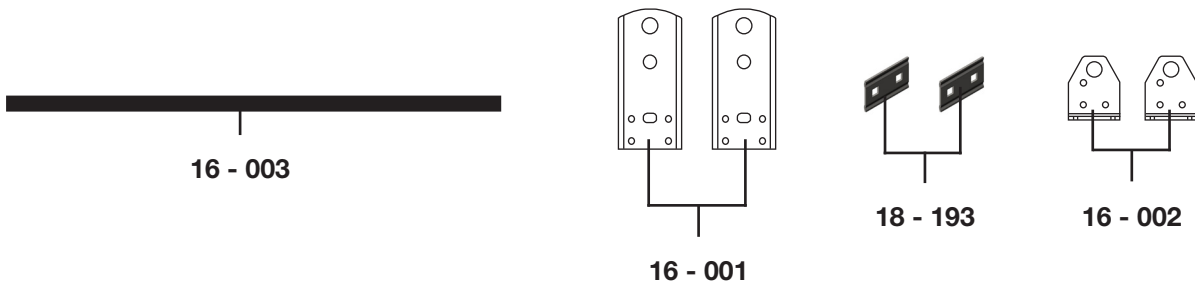
**2
PERSONS**

- Cordless Impact
- Ratchet
- Tape Measure
- Marker
- Ladder
- 1/2" Wrench
- 1/2" Socket

PHASE 1 – ASSEMBLY

1.1 SETUP

1.1.1 Verify all parts are present.



VERIFY ALL PARTS ARE PRESENT

Item No.	Description	Qty.
16-001	BRACKET - SIDE, CARGO	2
16-002	TIE DOWN	2
16-003	TRACK PLUG (72")	1
18-193	INSERT PLATE	2
96-4805	CUSTOMER INSTALL FASTENER KIT	1

VERIFY ALL PARTS ARE PRESENT

FASTENER BAGS.

96-4805



Fastener Assembly

8x



90-998

Hex Bolt
5/16" - 18 x 3/4"
SS304

4x



90-491

Carriage Bolt
5/16"-18 x 1"
SS304

4x



94-105

Hex Nut
5/16"
SS316 WAX

4x



98-117

Flat Washer
5/16" OD, 3/4"
SS18-8

4x



98-123

Lock Washer
5/16"
SS304

8x



#90-998 Hex Bolt 3/4"

4x



#90-491 Hex Bolt 1"



#98-123 Lock Washer



#98-117 Flat Washer



#94-105 Hex Nut

3 DIFFERENT WAYS TO ATTACH TIE DOWN.

RECOMENDED SETUP



FOR LADDER



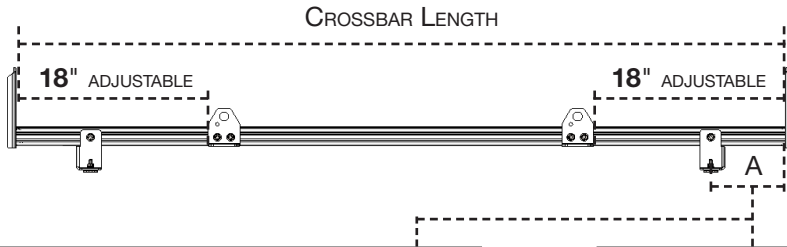
TOP FLUSHED



PHASE 1 – ASSEMBLY

1.2 ASSEMBLY

1.2.1 Attach tie downs, bracket - side, track plug and feet to the crossbar.



NOTE:

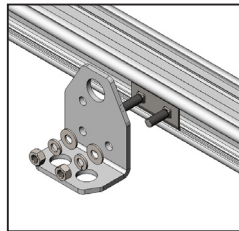
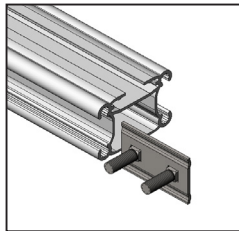
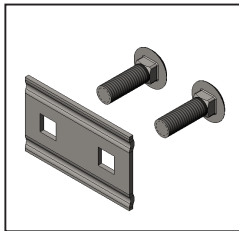
- Attach the track plug on top of the crossbar from end to end.
- Attach tie downs 1st followed by the feet and then the bracket - end.

FOOT PLACEMENT GUIDE	
VEHICLE	DIMENSION (A)
NISSAN NV	7"
SPRINTER	10" HR, 6 - 1/2" LF
TRANSIT	8 - 7/8"
PROMASTER	7 - 1/16"

FOOT PLACEMENT GUIDE	
VEHICLE	DIMENSION (A)
METRIS	6 - 1/4"
PROMASTER CITY	6 - 7/8"
TRANSIT CONNECT	6 - 3/4"
NV200	7 - 3/4"

TOOLS

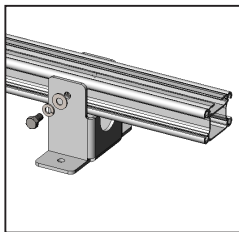
- Ratchet
- 1/2" Socket



FASTENERS USED

4x (17 ft • lbs)

- #90-491 Hex Bolt 1"
- #98-123 Lock Washer
- #98-117 Flat Washer
- #94-105 Hex Nut



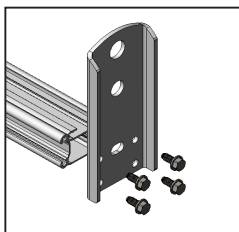
TOOLS

- Cordless Impact
- 1/2" Socket

FASTENERS USED

4x (CROSSBAR FASTENER KIT) (17 ft • lbs)

- #90-203 Hex Bolt 5/8"
- #98-123 Lock Washer 5/16"
- #98-117 Flat Washer 5/16"
- #94-250 Channel Nut 5/16"



TOOLS

- Cordless Impact
- 1/2" Socket

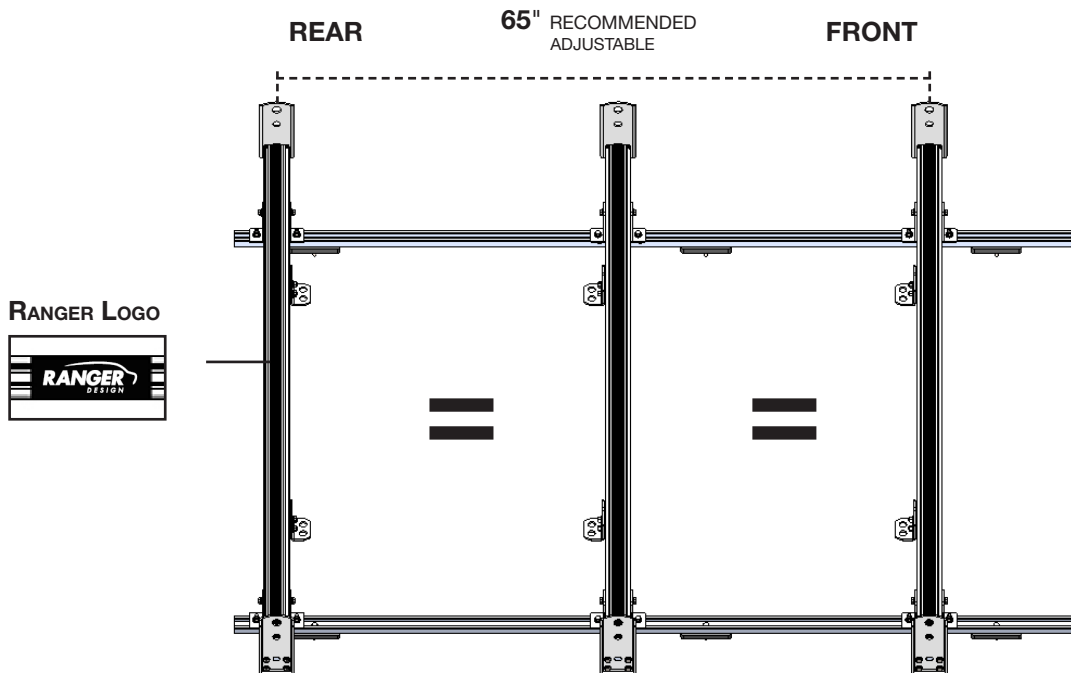
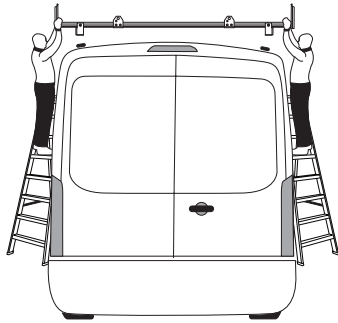
FASTENERS USED

8x (17 ft • lbs)

- #90-998 Hex Bolt 3/4"

1.2.2 Attach the crossbar to the mounting track.

NOTE: Place the crossbar w/ Ranger logo on the rear.



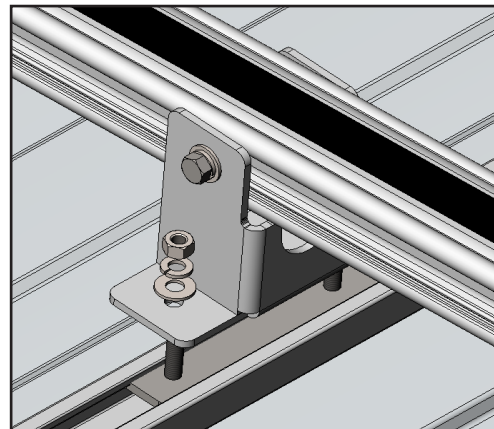
TOOLS

- Ratchet
- 1/2" Socket

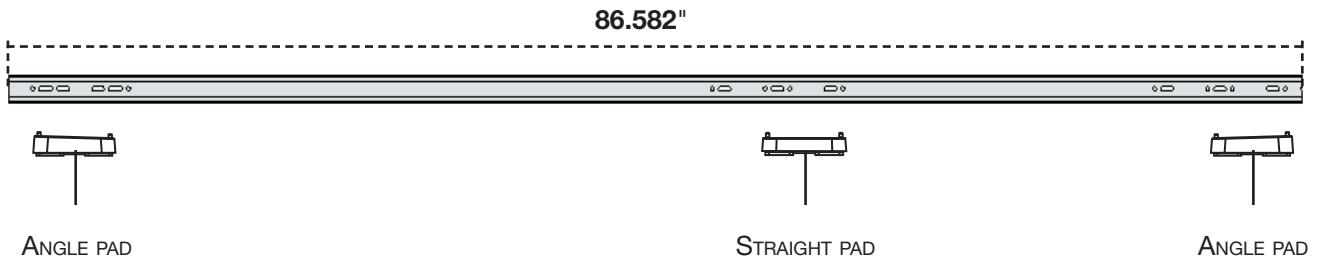
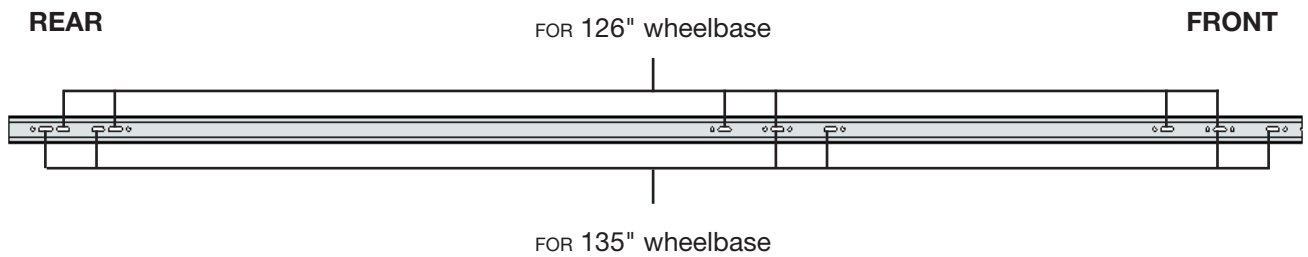
FASTENERS USED

4x ONE CROSSBAR (17 ft • lbs)

- | | |
|--|---------------------|
| | #94-105 Hex Nut |
| | #98-123 Lock Washer |
| | #98-117 Flat Washer |



INSTALLATION GUIDE



18-U0043 MOUNTING TRACK

METRIS LWB AND METRIS SWB



QUICK START GUIDE

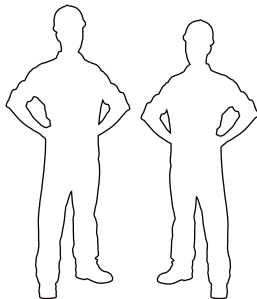
PHASE 1 - ASSEMBLY

- 1.1.1 SETUP (VERIFY ALL PARTS ARE PRESENT)..... 2 TO 3

PHASE 2 - INSTALLATION

- 2.1.1 INSTALLATION (INSTALL THE MOUNTING TRACK WITH PADS ON THE ROOF)..... 4 TO 5

REQUIRED ITEMS



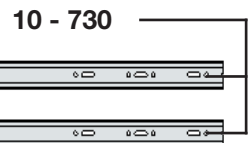
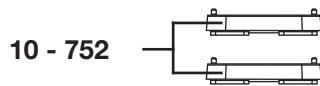
**2
PERSONS**

- Cordless Impact
- Tape Measure
- Ladder
- 10MM Socket

PHASE 1 – ASSEMBLY

1.1 SETUP

1.1.1 Verify all parts are present.



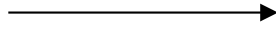
VERIFY ALL PARTS ARE PRESENT

Item No.	Description	Qty.
10-730	MOUNTING TRACK	2
10-750	ANGLE PAD	4
10-752	STRAIGHT PAD	2
96-1030	CUSTOMER INSTALL FASTENER KIT	1

VERIFY ALL PARTS ARE PRESENT


FASTENER BAGS.

96-1030



Fastener Assembly

8x  **# 90-839** Hex Bolt
M6-1.0 x 45MM
SS304







4x  **# 90-835** Hex Bolt
M6-1.0 x 35MM
SS304

12x  **# 10-764** Neoprene Spacer
1/16" Thick







12x  **# 98-113** Flat Washer
1/4"

12x  **# 98-119** Lock Washer
1/4"

8x

	#90-839 Hex Bolt M6 x 45MM
	#98-119 LOCK WASHER
	#98-113 FLAT WASHER
	MOUNTING TRACK
	ANGLE PAD
	#10-764 NEOPRENE SPACER

4x

	#90-835 Hex Bolt M6 x 35MM
	#98-119 LOCK WASHER
	#98-113 FLAT WASHER
	MOUNTING TRACK
	STRAIGHT PAD
	#10-764 NEOPRENE SPACER

PHASE 2 – INSTALLATION

2.1 INSTALLATION

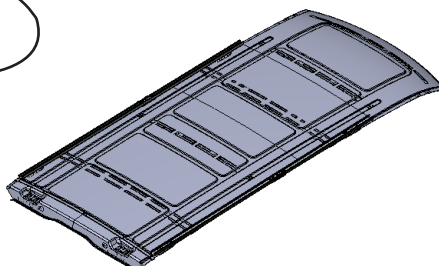
2.1.1 Install the mounting track with pads.

126" WHEELBASE

- NOTE:**
- Slide stud plate on both ends of the mounting track before installing the mounting track.
 - Slide 3 stud plates if you have 3 bar racks.



NOTE: APPLY A BEAD OF SILICONE AROUND EACH HOLE, THEN FASTEN THE TRACKS TO THE ROOF.



REAR

MIDDLE

FRONT

TOP VIEW

SHOWING WHAT HOLES YOU WILL USE



SIDE VIEW

SHOWING THE POSITION OF THE PADS



ANGLE PAD

STRAIGHT PAD

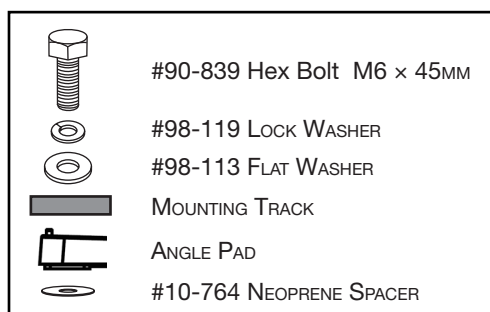
ANGLE PAD

TOOLS

- Cordless Impact
- 10MM Socket

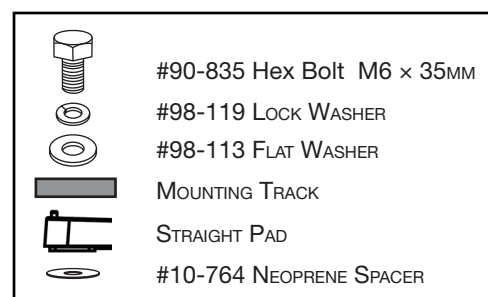
FASTENERS USED

8x FRONT & REAR



FASTENERS USED

4x MIDDLE

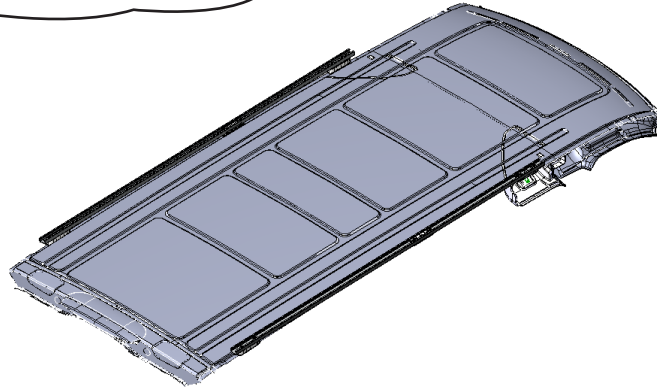


135" WHEELBASE

- NOTE:**
- Slide stud plate on both ends of the mounting track before installing the mounting track.
 - Slide 3 stud plates if you have 3 bar racks.



NOTE: APPLY A BEAD OF SILICONE AROUND EACH HOLE, THEN FASTEN THE TRACKS TO THE ROOF.



REAR

FRONT

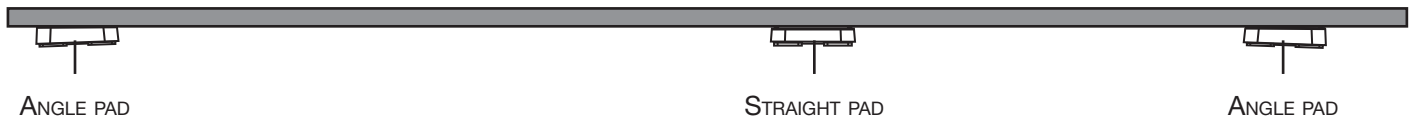
TOP VIEW

SHOWING WHAT HOLES YOU WILL USE



SIDE VIEW

SHOWING THE POSITION OF THE PADS



ANGLE PAD

STRAIGHT PAD

ANGLE PAD

TOOLS

- Cordless Impact
- 10MM Socket

FASTENERS USED

8x FRONT & REAR

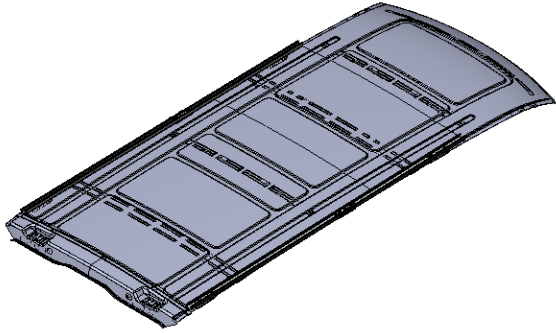
	#90-839 Hex Bolt M6 x 45MM
	#98-119 LOCK WASHER
	#98-113 FLAT WASHER
	MOUNTING TRACK
	ANGLE PAD
	#10-764 NEOPRENE SPACER

FASTENERS USED

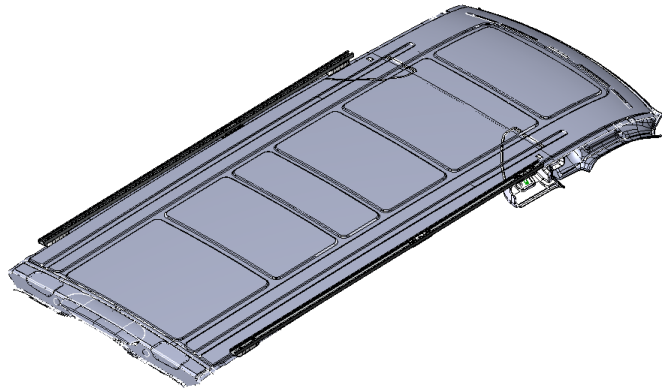
4x MIDDLE

	#90-835 Hex Bolt M6 x 35MM
	#98-119 LOCK WASHER
	#98-113 FLAT WASHER
	MOUNTING TRACK
	STRAIGHT PAD
	#10-764 NEOPRENE SPACER

126" WHEELBASE



135" WHEELBASE



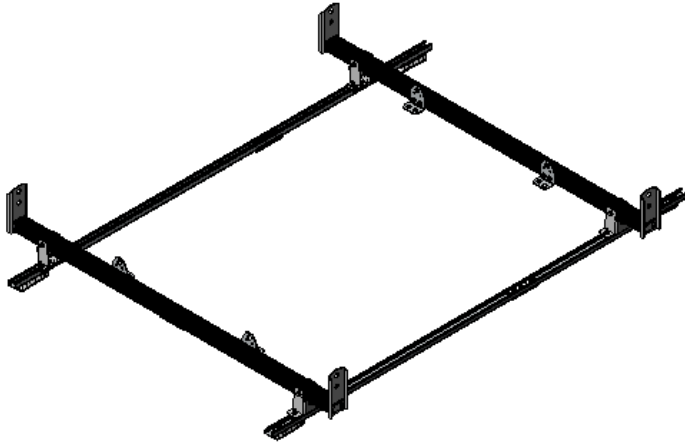
**“Congratulations, you have successfully installed your
Mounting Track on your vehicle!**

Thank you for doing business with us.”

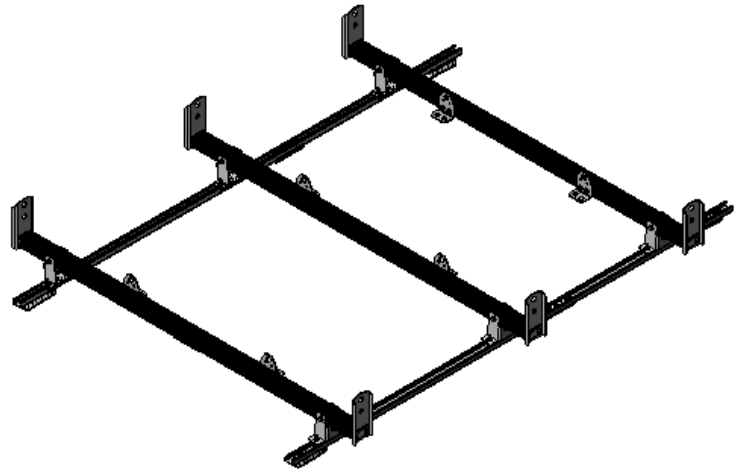
For any feedback or suggestions you might have, please contact: cs@rangerdesign.com



1605-MM



1605-MM3



**“Congratulations, you have successfully installed your
Cargo Rack on your vehicle!**

Thank you for doing business with us.”

For any feedback or suggestions you might have, please contact: cs@rangerdesign.com

