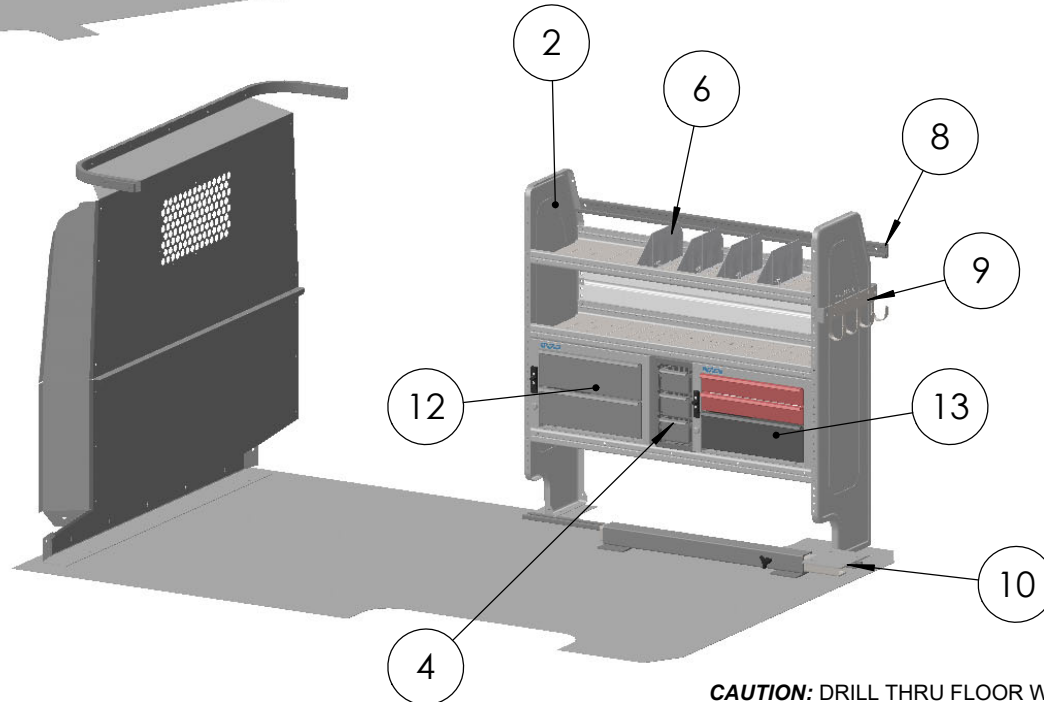


ITEM	PART #	DESCRIPTION	QTY
1	AD26TC	26" AD SHELVING TRANSIT	1
2	AD44FP	AD44FP SHELF MODULE	2
3	DC12	DRAWER COMPONENT 12" WIDE	1
4	DC6	DRAWER COMPONENT 6" WIDE	3
5	DV14C8	DIVIDER KIT OF (8)	1
6	P2MMS	PARTITION, METRIS, STEEL	1
7	RKAWTR	ADAPTER,ASM, RLKT, WTR'S	1
8	RKMM	RAIL KIT,METRIS,SINGLE	1
9	TA1WAD	HOOKBAR TA1 W/AD ADAPTER	1
10	VMA36	WISE MOUNT ASSY.	1
11	TR330	TANK RACK, 3-30	1
12	19	2-DRAWER MEDIUM	2
13	919	3-DRAWER COMBO	1



CAUTION: DRILL THRU FLOOR WITH CARE! WATCH FOR GAS TANK, CONTROL LINES, & ELECTRICAL WIRING.



906 James Street
Adrian, Michigan 49221
517.265.6194
WWW.ADRIANSTEEL.COM

ALL DESIGNS AND DESIGN CONCEPTS ARE THE INTELLECTUAL PROPERTY OF ADRIAN STEEL COMPANY AND ARE NOT TO BE COPIED, DISTRIBUTED OR COMMUNICATED TO OUTSIDE PARTIES WITHOUT THE WRITTEN PERMISSION OF ADRIAN STEEL COMPANY. THE MATERIAL/CONCEPTS/DESIGNS CONTAINED WITHIN THIS DOCUMENT ARE FOR THE PURPOSE OF SUPPLYING PRODUCT TO POTENTIAL ADRIAN STEEL COMPANY CUSTOMERS.

Drawn By: **BDS**

Date: **4/28/21**

ECN No: **22334**

PDS No: **4318MM**

Customer: **PLUMBING-HEATING-A/C PACKAGE**

Vehicle: **MERCEDES METRIS**

Package Weight: **412**
CG Horizontal & Vertical: HCG=N/A VCG=N/A

Sheet: **1 of 1**

Rev.: **C**