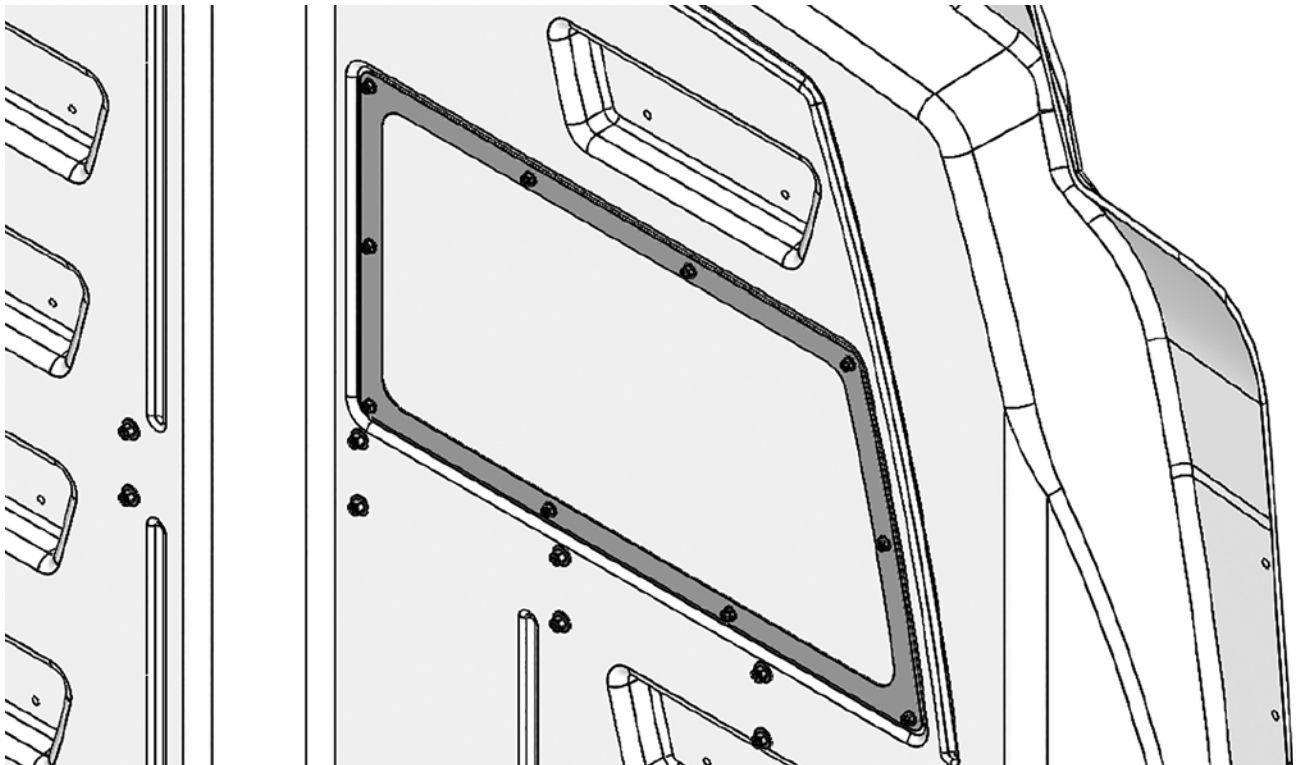




VAN STORAGE SOLUTIONS
FOR THE WAY YOU WORK™

CAB/MAX™
COMPOSITE BULKHEAD

INSTALLATION INSTRUCTIONS for WINDOW ACCESSORY FOR COMPOSITE BULKHEADS



MODEL 96906-3-01

Weather Guard / KNAACK
420 E. Terra Cotta Ave.
Crystal Lake, IL 60014 USA

800-456-7865 (Toll Free)
800-334-2981 (Fax)
Knaack.OrderEntry@wernerco.com

Weather Guard / KNAACK
9133 Leslie St. Unit 105
Richmond Hill, ON L4B4N1

888-562-2251 (Toll Free)
888-456-8460 (Fax)
Knaack.OrderEntry.Canada@wernerco.com

ATTENTION: PLEASE READ AND UNDERSTAND ALL INSTRUCTIONS AND WARNINGS BEFORE ASSEMBLING, INSTALLING OR USING THIS PRODUCT.

INSTALLATION GUIDELINES

- Installing your WEATHER GUARD® Window Accessory to your Composite Bulkhead is very clear cut following these instructions.
- Always wear protective eyewear to keep debris out of your eyes when installing WEATHER GUARD® Van Products.
- Tighten all #10-24 hardware to 23 in-lb when ready.
- **This product is designed and intended for use on all WEATHER GUARD® Full Size Composite Bulkheads.**

OPERATION GUIDELINES

- Any modifications made to this product, or use of this product for any other purpose than its intended use, could create a hazardous condition that can cause serious personal injury or property damage.
- **At the end of the first week of use, check all of the fasteners for proper tightness and then check every three months thereafter.**

HARDWARE KIT

DESCRIPTION	QTY
#10 Washer	12
#10-24 Screw	12
#10-24 Nylon Lock Nut	12

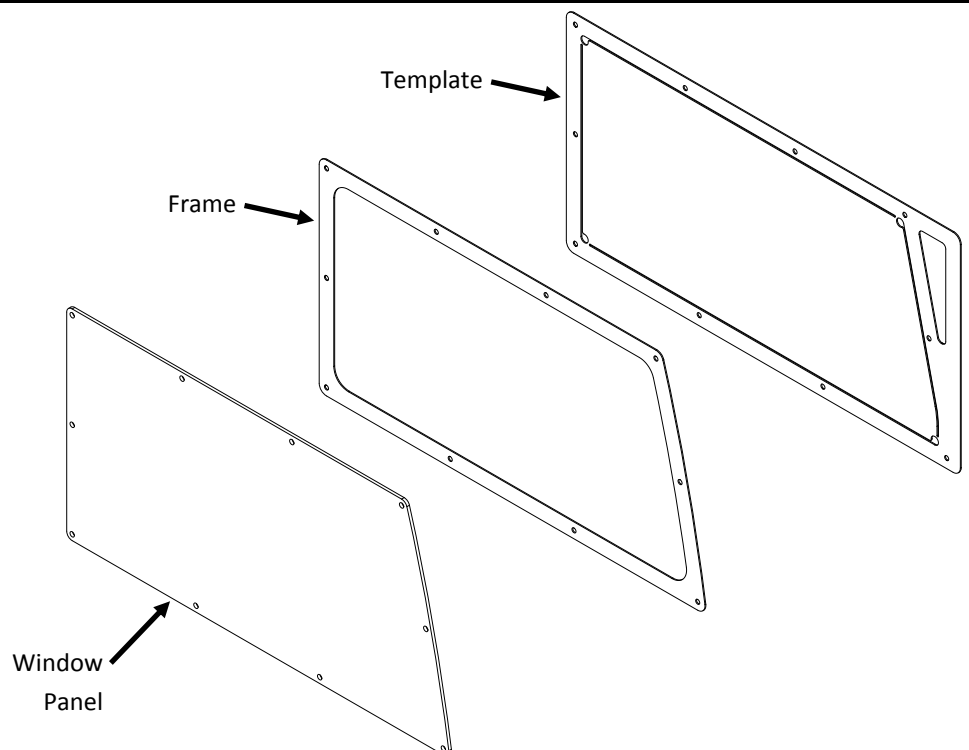
TOOLS REQUIRED

- Ratchet
- 3/8" Socket
- #2 Phillips Head Screwdriver
- Drill
- 1/4" Drill Bit
- 5/16" Drill Bit
- 1/2" Drill Bit
- Jigsaw
- 10 or less teeth per inch Jigsaw blade for cutting plastic
- Torque wrench

PARTS LIST

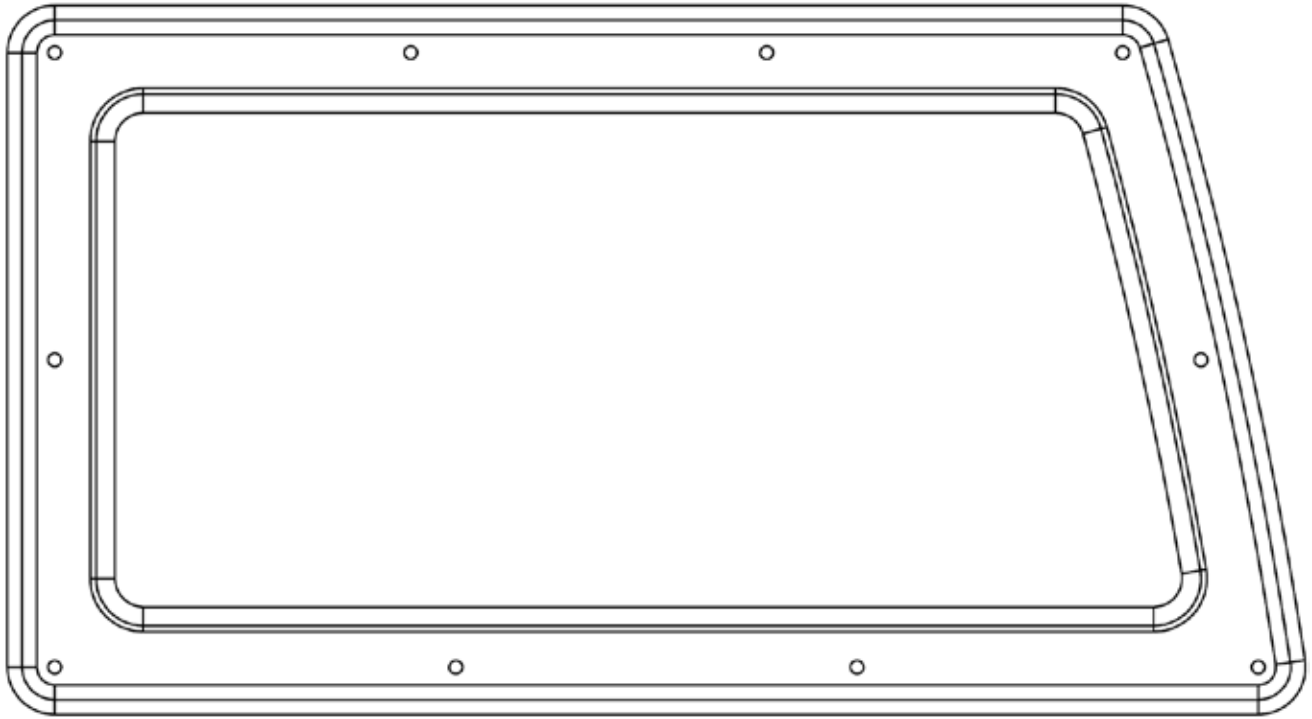
DESCRIPTION	QTY
Window Panel	1
Frame	2
Template*	1

*Sold Separately in Kit 70004R



BULKHEAD PREPARATION INSTRUCTIONS

STEP 1. Drill 1/4" holes in the bulkhead panel at the dimples around the rim of the window recess.



BULKHEAD PREPARATION USING TEMPLATE – Follow steps 2.1 through 6.1 if using the template for cutting.

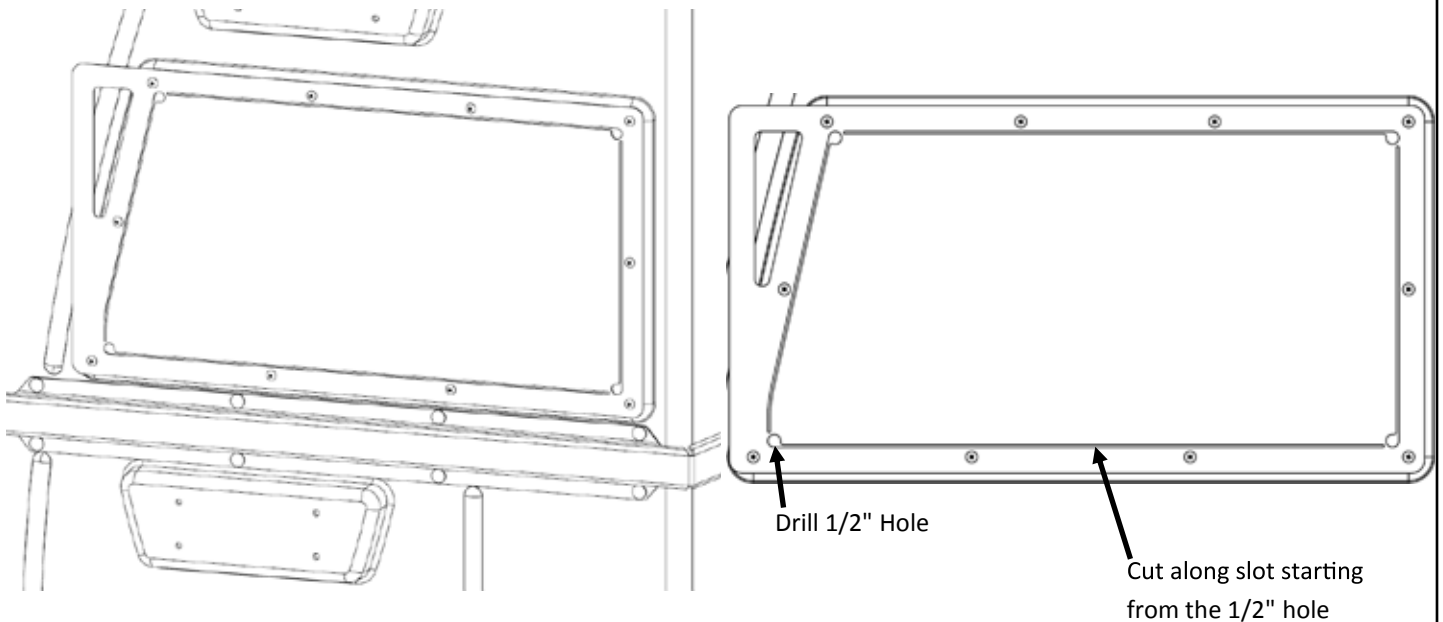
BULKHEAD PREPARATION WITHOUT TEMPLATE – Follow steps 2.2 through 6.2 if not using the template.

BULKHEAD PREPARATION USING TEMPLATE

STEP 2.1 Loosely, but snugly, install the template to the back/cab side of the bulkhead panel with #10-24 screws, washers, and nylon lock nuts.

STEP 3.1 Drill a 1/2" hole through each corner of the template.

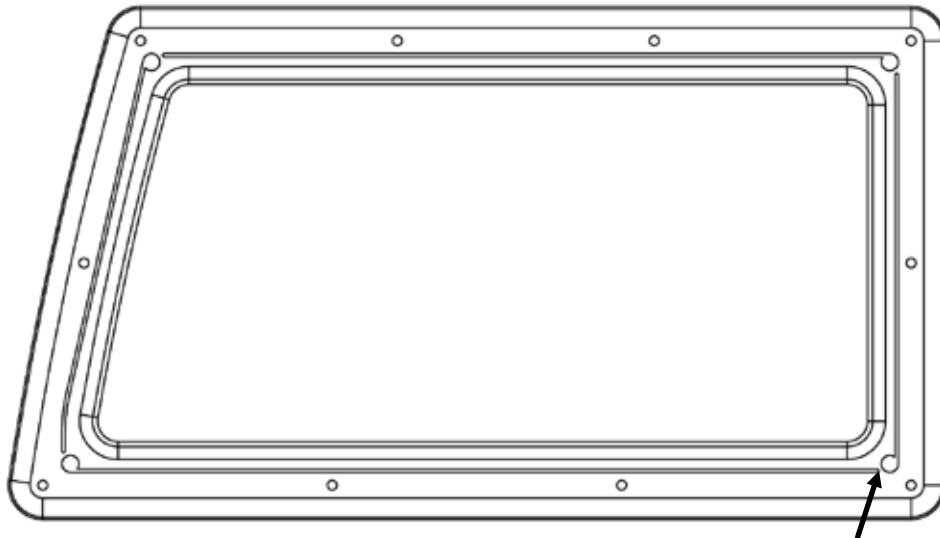
STEP 4.1 Using each 1/2" hole from Step 4 as a starting point, cut bulkhead panel along the slots in the template with a jigsaw.



BULKHEAD PREPARATION & WINDOW INSTALLATION INSTRUCTIONS

STEP 5.1 Remove the template, but hold on to the hardware for later use.

STEP 6.1 Use the jigsaw to connect the ends of the previous cuts to the nearest 1/2" hole. Discard the center section. Proceed to step 7.

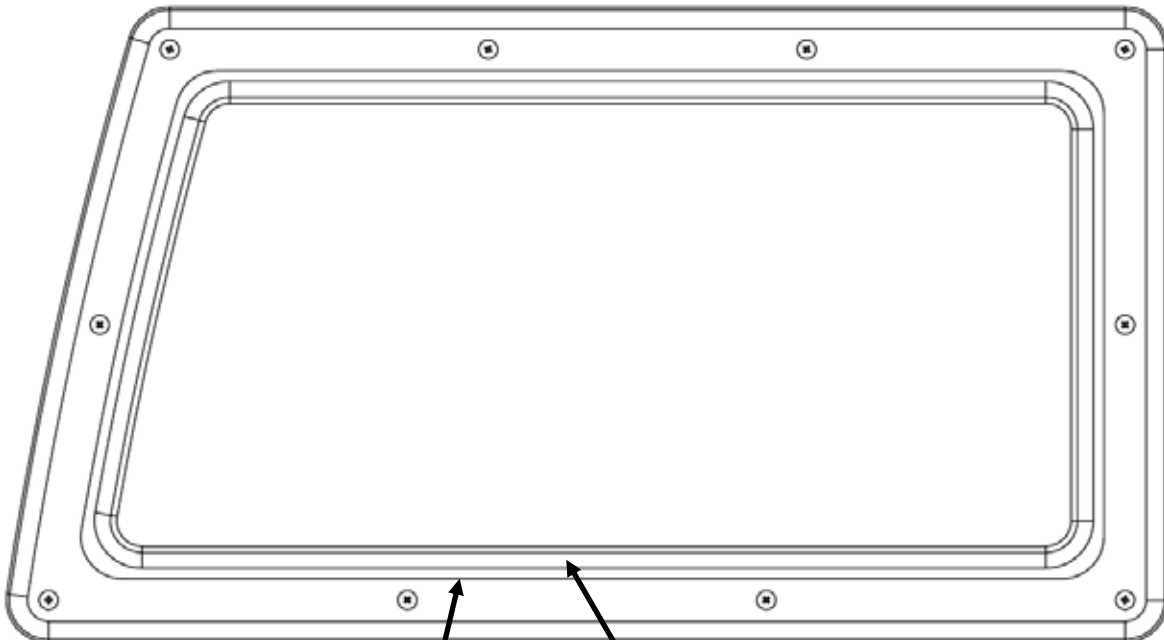


Continue each jigsaw cut until it meets the next hole

BULKHEAD PREPARATION WITHOUT TEMPLATE

STEP 2.2 Loosely, but snugly, install one of the frames to the back/cab side of the bulkhead panel with #10-24 screws, washers, and nylon lock nuts.

STEP 3.2 Trace the inside edge of the frame. Drill a 1/2" hole in the bulkhead panel somewhere within the cutout in the frame near the trace to use as a starting point later for cutting with the jigsaw.



Trace the inside edge of the frame on the bulkhead panel

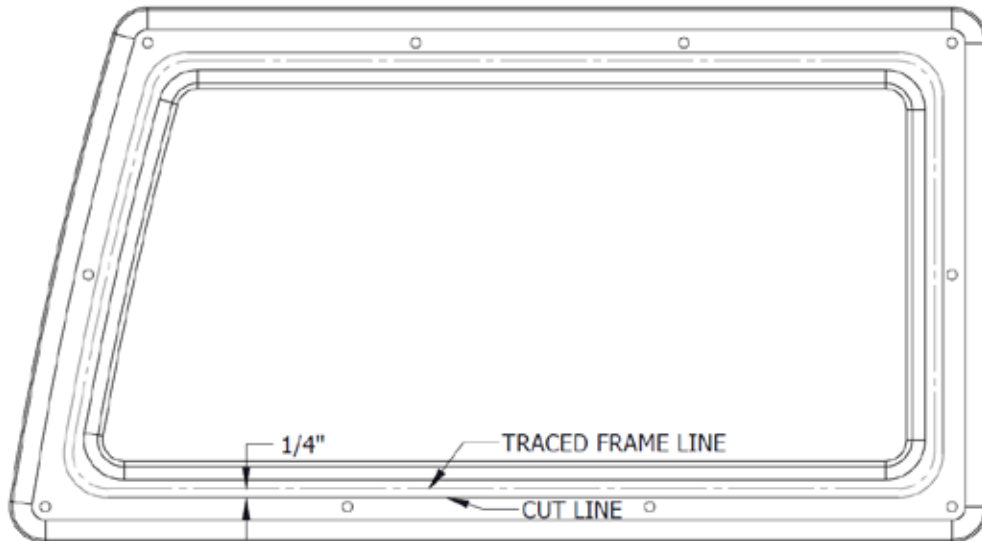
Drill 1/2" Hole

BULKHEAD PREPARATION & WINDOW INSTALLATION INSTRUCTIONS

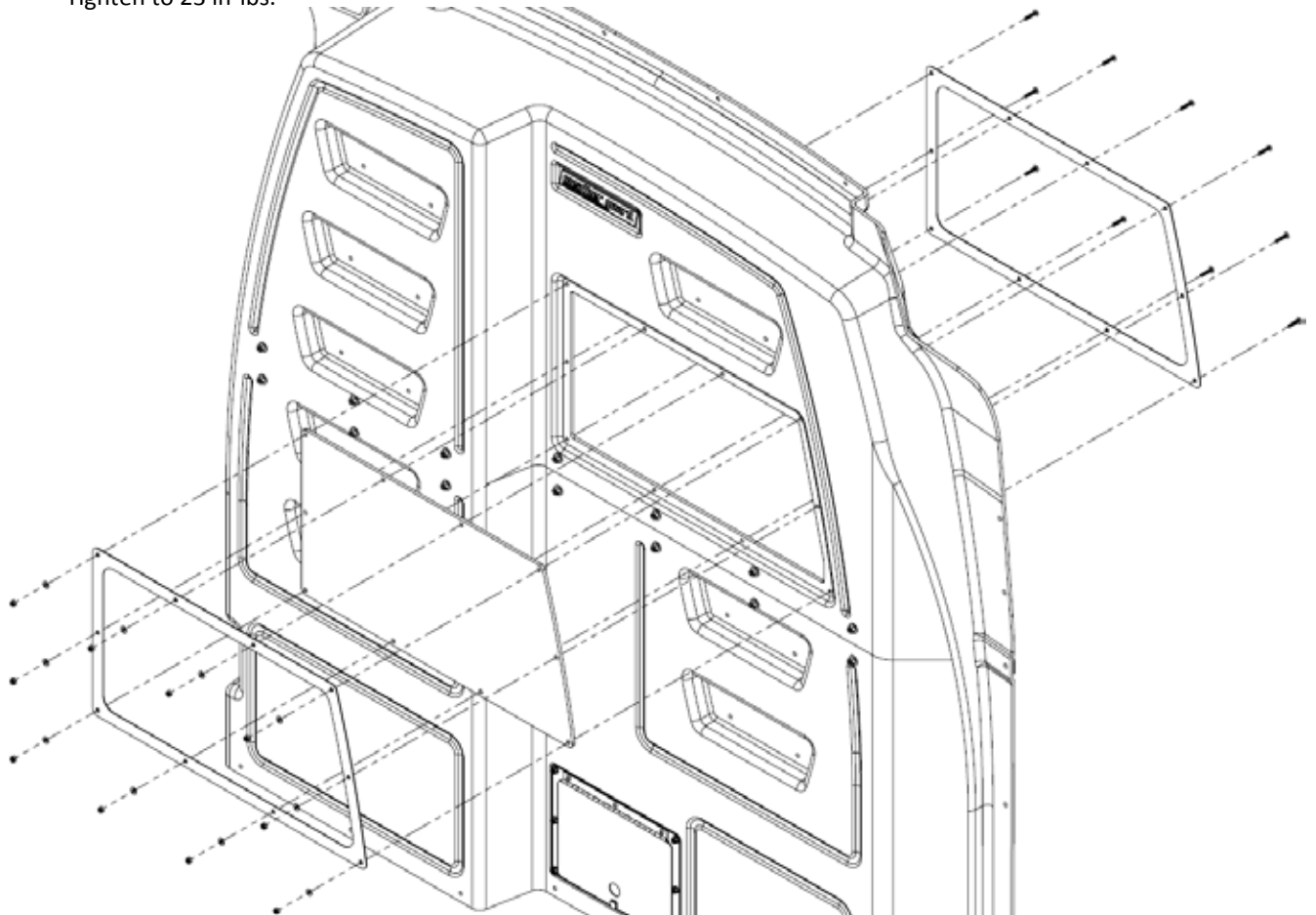
STEP 4.2 Remove the frame, but hold on to the hardware for later use.

STEP 5.2 Draw a line offset 1/4" out from the trace from Step 3.2

STEP 6.2 Use the jigsaw to cut along the line drawn in Step 5.2 Discard the center section. Proceed to Step 7.



STEP 7. Use #10-24 screws, washers, and nylon lock nuts to attach the window panel and frames to the bulkhead panel. The window panel will sit within the recess (on the cargo side) of the bulkhead with a frame on the outside of the window panel sandwiching it against the bulkhead. The other frame will be on the embossed/cab side of the bulkhead. Tighten to 23 in-lbs.



WARNING

This product can reduce the driver's ability to clearly see roadways, vehicular or pedestrian traffic and other objects through the rear and side windows of the vehicle, which can cause an accident. Extra precautions should be taken when driving a vehicle with this product. Make all adjustments necessary to ensure maximum visibility, including but not limited to, changing mirror and seating positions. State and local laws may prohibit obstruction of windows in a moving vehicle.

These instructions are to be followed using the parts and fasteners supplied for proper installation. Any modifications or improper installation of this product will create a hazardous condition that could result in death, serious personal injury and/or property damage.

CAUTION

Prior to drilling, so as not to cut electric wires, fuel lines, brake lines, etc., check behind and underneath drilling and mounting locations. To keep debris out of your eyes when checking the underside of the vehicle, or when drilling, always wear protective eye wear. Failure to heed this warning will result in death or serious injury.

- NOTICE -

Any modification or unintended use of this product shall immediately void all manufacturer's warranties. Manufacturer disclaims all liability for injuries to persons or property resulting from any modification to, or unintended use of this product.

WERNER CO. LIMITED LIFETIME WARRANTY FOR WEATHER GUARD® PRODUCTS

WEATHER GUARD® Products — Limited Lifetime Warranty (Purchased on or after 1/1/2009)

WERNER CO. (the "Manufacturer") warrants to the original purchaser only that WEATHER GUARD® Truck and Van Products (the "WEATHER GUARD® Product") will be free from defects in material and workmanship from the date of purchase and continuing for the expected lifetime of the WEATHER GUARD® Product. A copy of the original sales receipt must be supplied to the Manufacturer at the time a warranty claim is made. This warranty terminates if the original purchaser transfers the WEATHER GUARD® Product to any other person.

What is Covered

All WEATHER GUARD® Products identified above that are purchased on or after January 1, 2009.

What We Will Do to Correct Problems

Subject to the limitations and exclusions described in this limited warranty, the Manufacturer will remedy defects in materials or workmanship by providing one of the following remedies at its option and without charge to the original purchaser for parts or labor: (a) repairing the defective portion of the WEATHER GUARD® Product or (b) replacing the entire WEATHER GUARD® Product. In addition, the manufacturer may elect at its option, not to repair or replace the WEATHER GUARD® Product, but rather issue to the original purchaser a refund equal to the purchase price paid for the WEATHER GUARD® Product or a credit to be used toward the purchase of new WEATHER GUARD® Product.

What is Not Covered

This limited warranty expressly excludes:

- Defects caused by normal wear and tear, cosmetic rust, scratches, accidents, unlawful vehicle operation, or modification to the product, or any types or repair of a WEATHER GUARD® Product other than those authorized or provided by the Manufacturer.
- Defects resulting from conditions beyond the Manufacturer's control including, but not limited to misuse, overloading, or failure to assemble, mount or use the WEATHER GUARD® Product in accordance with the Manufacturer's written instructions or guidelines included with the WEATHER GUARD® Product or made available to the original purchaser.
- Damage to the contents of the box or vehicle.
- TO THE EXTENT PERMITTED BY LAW, IN NO EVENT SHALL THE MANUFACTURER BE LIABLE FOR ANY INCIDENTAL, SPECIAL, INDIRECT, OR CONSEQUENTIAL DAMAGES, INCLUDING ANY ECONOMIC LOSS, WHETHER RESULTING FROM NONPERFORMANCE, USE, MISUSE OR INABILITY TO USE THE WEATHER GUARD® PRODUCT OR THE MANUFACTURER'S NEGLIGENCE.

No Other Express Warranty Applies

This Limited Lifetime Warranty is the sole and exclusive warranty for WEATHER GUARD® Products. No employee, agent, dealer, or other person is authorized to alter this warranty or make any other warranty on behalf of WERNER CO.

Notification Procedures

If the WEATHER GUARD® Product does not conform with the terms of this limited warranty, the original owner must promptly notify the Manufacturer in writing upon discovery of the nonconformity. In order to receive the remedies under this limited warranty, the warranty claim must describe the nature of the nonconformity, and a copy of the original sales receipt, invoice, bill or other proof of purchase must accompany the claim. Repairs or modifications made to the WEATHER GUARD® Product by other than the Manufacturer or its authorized agent will nullify this limited warranty. Coverage under this limited warranty is conditioned at all times upon the owner's compliance with these required notification and repair procedures. Warranty claims must include reciprocal contact information and may be made via certified mail to:

WERNER CO. ATTN: Warranty Claims

420 E. Terra Cotta Avenue Crystal Lake, IL 60014

If you have any questions, please call toll free at 1-800-456-7865.

©2020 WERNER CO.

WERNERCO™