

INSTALLATION GUIDE

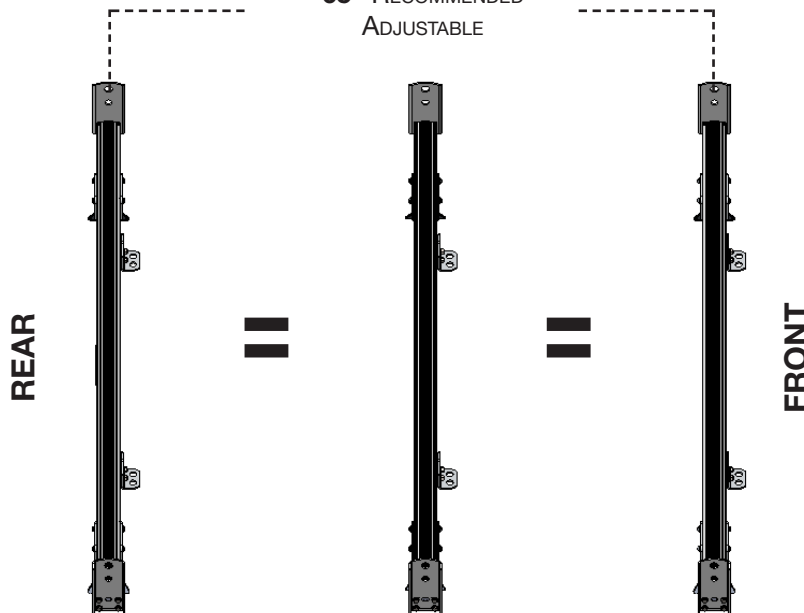
1605-GS



1605-GS3



65" RECOMMENDED
ADJUSTABLE



18" RECOMMENDED
ADJUSTABLE



1605-GS OR 1605-GS3 CARGO RACK

Savana



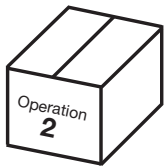
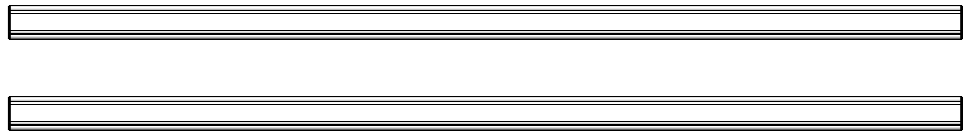
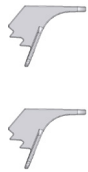
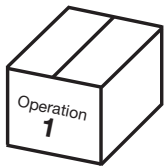
1605-GS



1605-GS3



16-UCDGS



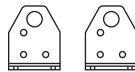
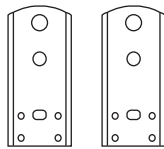
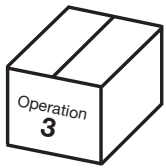
Applicable only for 3 bars rack (1605-GS3).

16-UCSGS

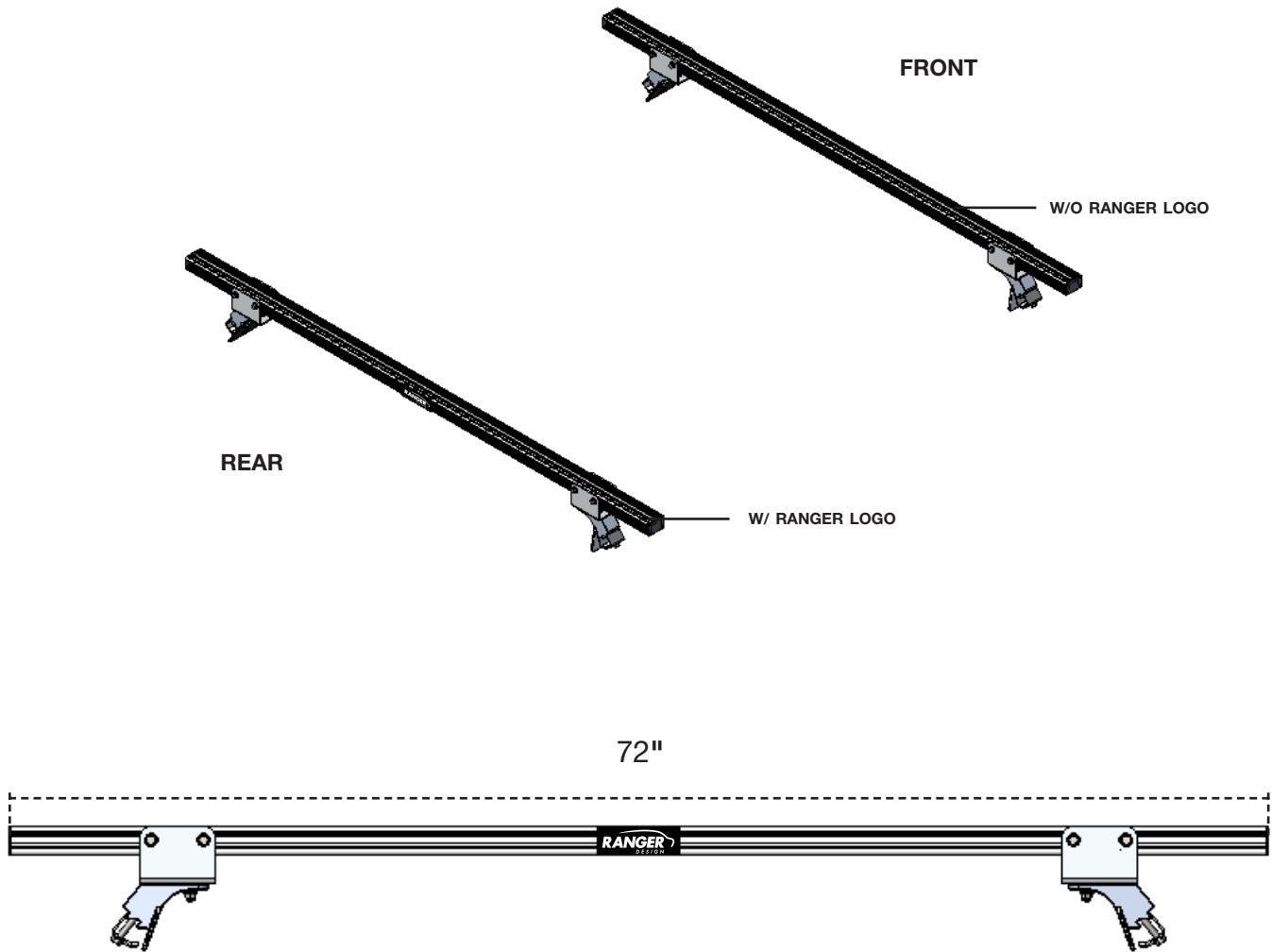


1 Cargo Rack kit for 1 crossbar

16-U0005



INSTALLATION GUIDE



16-UCDGS Crossbar

SAVANA 2 BARS (72")

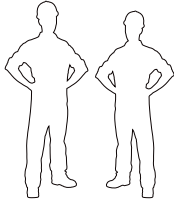


QUICK START GUIDE

Phase 1 - Assembly

- 1.1.1 SETUP (VERIFY ALL PARTS ARE PRESENT)..... 2
- 1.2.1 ASSEMBLY (FOOT ASSEMBLY)..... 3
- 1.2.2 ASSEMBLY (PUT THE CROSSBAR IN THE TABLE)..... 4

REQUIRED ITEMS



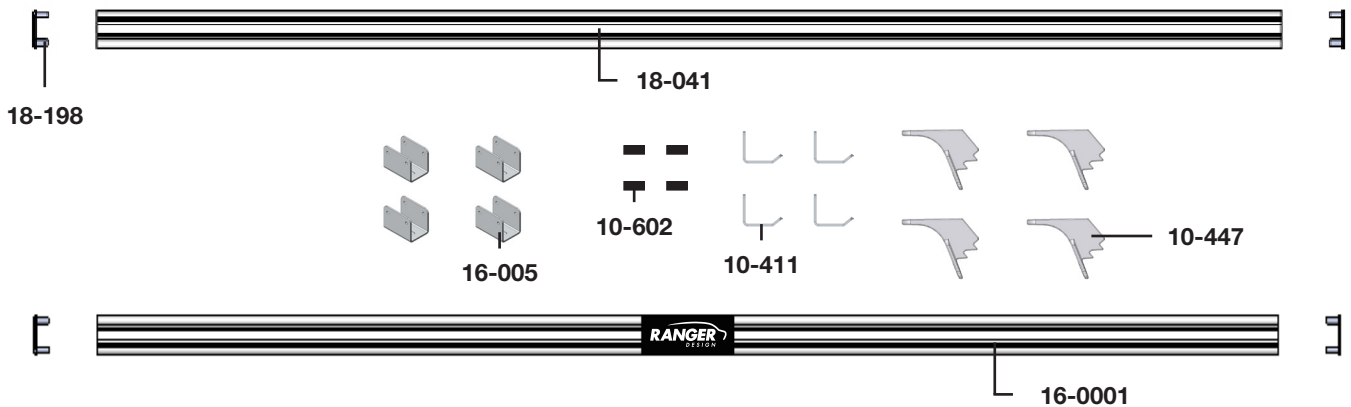
**2
PERSONS**

- CORDLESS IMPACT
- 1/2" SOCKET
- KNIFE

PHASE 1 – ASSEMBLY

1.1 SETUP

1.1.1 Verify all parts are present.



BILL OF MATERIALS

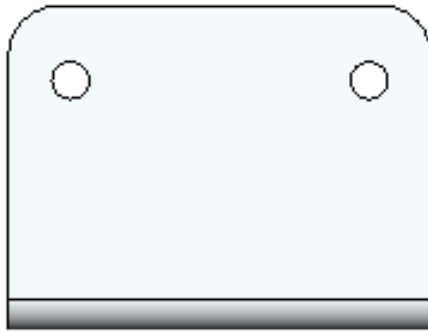
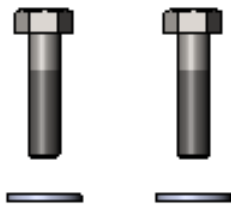
| Item No. | Description | Qty. |
|----------|-----------------------------|------|
| 10-447 | Foot (FRONT & REAR FOOT) | 4 |
| 10-411 | Gutter Clip | 4 |
| 10-602 | Insulator Pad | 4 |
| 16-005 | Foot Bracket | 4 |
| 18-041 | Crossbar 72" | 1 |
| 16-0001 | Crossbar 72" w/ Ranger Logo | 1 |
| 18-198 | End Plastic Plug | 4 |
| 96-4806 | Fastener kit | 1 |

PHASE 1 – ASSEMBLY

1.2 PREPARATION

1.2.1 Assemble feet.

4x




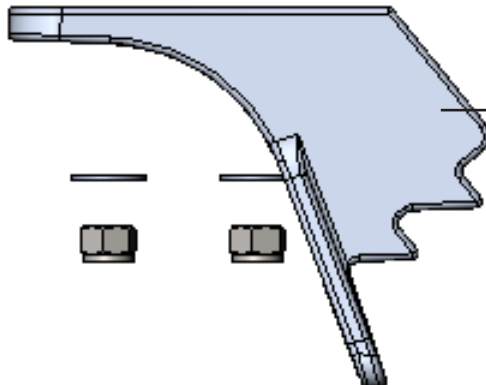
TOOLS

- Cordless Impact
- 1/2" Socket

FASTENERS USED

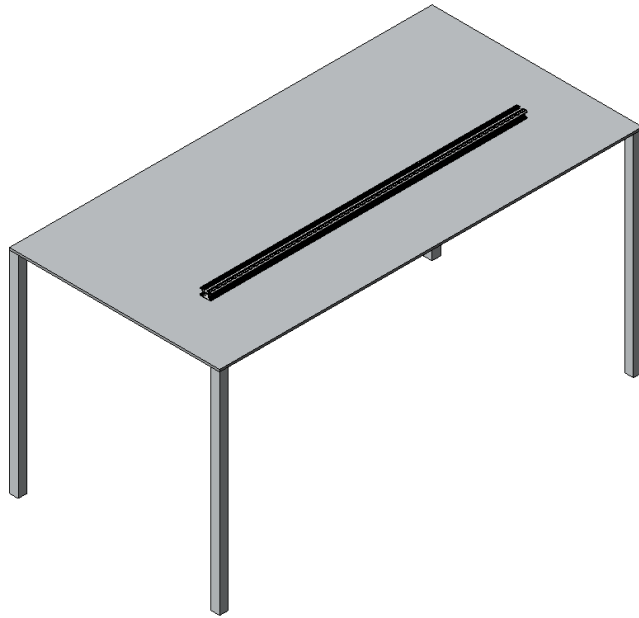
2x (17 ft • lbs)

- | | |
|--|---------------------------|
|  | #90-213 Hex Bolt 1 - 1/4" |
|  | #98-117 Flat Washer 5/16" |
|  | #98-117 Flat Washer 5/16" |
|  | #94-111 Lock Nut |



IMPORTANT: FEET FOR DOUBLE CROSSBARS (10-447) ARE TALLER THAN THE 3RD CROSSBAR (10-448), BECAUSE OF THE CURVE OF THE VAN AND IT'S PLACE IN THE FRONT AND REAR OF THE VEHICLE.

1.2.2 Remove one crossbar from the box and put the crossbar on the table.



NOTE:

OPEN THE NEXT BOX AND FOLLOW THE INSTALL GUIDE INSIDE THE BOX ON HOW TO ASSEMBLE YOUR RACK.

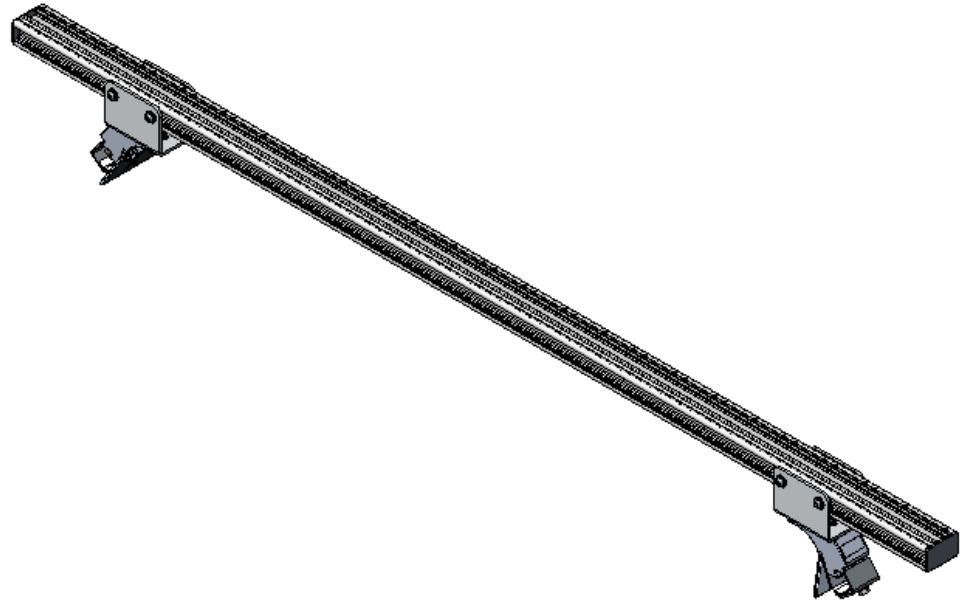
**“You have successfully completed Operation 1
Crossbar!
Open the next box to continue assembling your rack**

Thank you for doing business with us.”

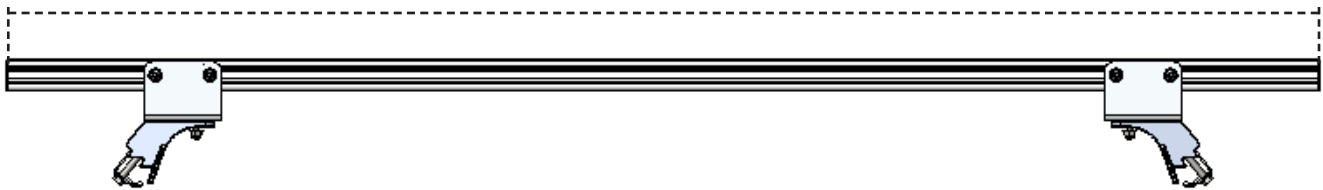
For any feedback or suggestions you might have, please contact: cs@rangerdesign.com



INSTALLATION GUIDE



72"



16-UCSGS Crossbar

SAVANA 1 BAR (72")

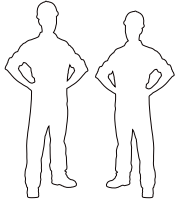
RANGER
DESIGN

QUICK START GUIDE

Phase 1 - Assembly

- 1.1.1 SETUP (VERIFY ALL PARTS ARE PRESENT)..... 2
- 1.2.1 ASSEMBLY (FOOT ASSEMBLY)..... 3
- 1.2.2 ASSEMBLY (PUT THE CROSSBAR IN THE TABLE)..... 4

REQUIRED ITEMS



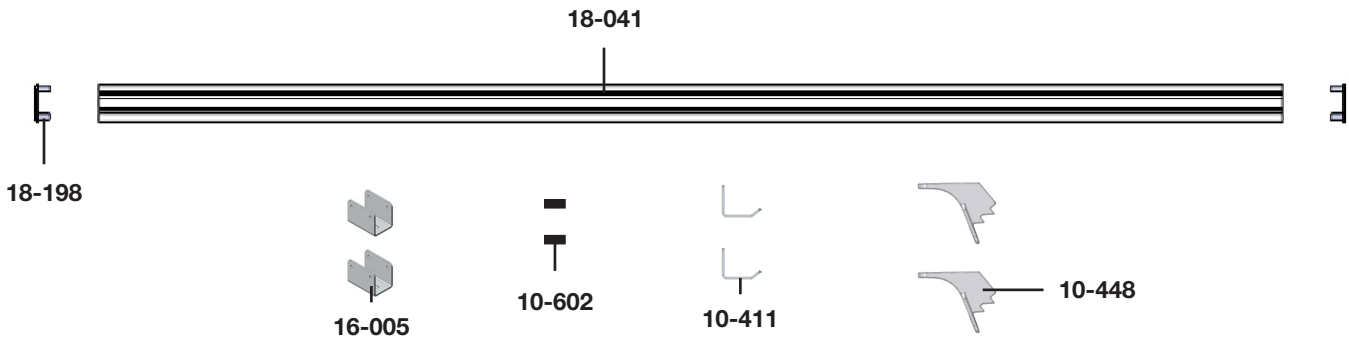
**2
PERSONS**

- CORDLESS IMPACT
- 1/2" SOCKET
- KNIFE

PHASE 1 – ASSEMBLY

1.1 SETUP

1.1.1 Verify all parts are present.



BILL OF MATERIALS

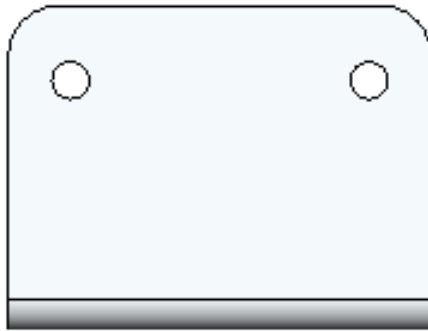
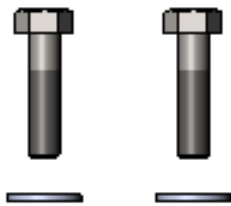
| Item No. | Description | Qty. |
|----------|----------------------|------|
| 10-448 | Foot (MIDDLE FOOT) | 2 |
| 10-411 | Gutter Clip | 2 |
| 10-602 | Insulator Pad | 2 |
| 16-005 | Foot Bracket | 2 |
| 18-041 | Crossbar 72" | 1 |
| 18-198 | End Plastic Plug | 2 |
| 96-4807 | Fastener kit | 1 |

PHASE 1 – ASSEMBLY

1.2 PREPARATION

1.2.1 Assemble feet.

2x







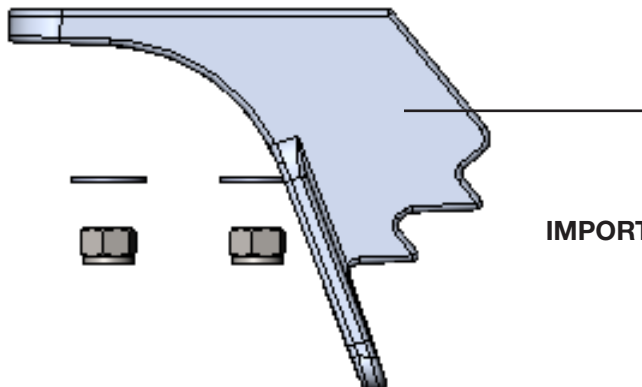
TOOLS

- Cordless Impact
- 1/2" Socket

FASTENERS USED

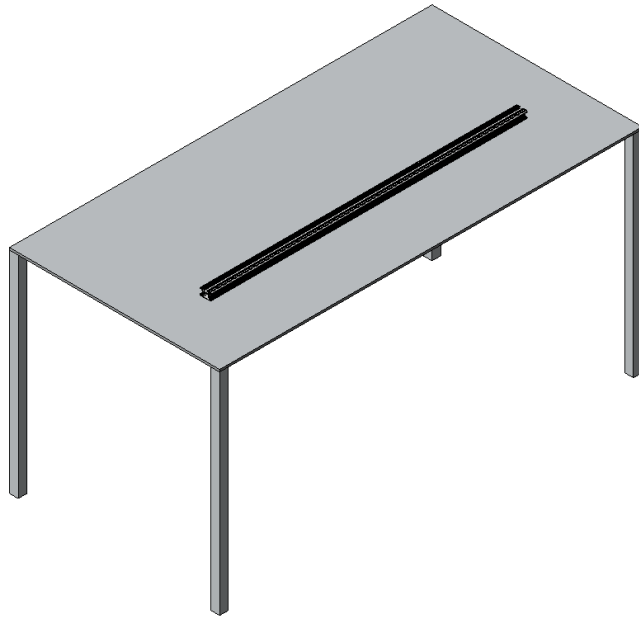
2x (17 ft • lbs)

- | | |
|--|---------------------------|
|  | #90-213 Hex Bolt 1 - 1/4" |
|  | #98-117 Flat Washer 5/16" |
|  | #98-117 Flat Washer 5/16" |
|  | #94-111 Lock Nut |



IMPORTANT: FEET FOR 3RD CROSSBAR (10-448) ARE SMALLER THAN THE DOUBLE CROSSBARS (10-447), BECAUSE OF THE CURVE OF THE VAN AND IT'S PLACE IN THE MIDDLE VEHICLE.

1.2.2 Remove one crossbar from the box and put the crossbar on the table.



NOTE:

OPEN THE NEXT BOX AND FOLLOW THE INSTALL GUIDE INSIDE THE BOX ON HOW TO ASSEMBLED YOU RACK.

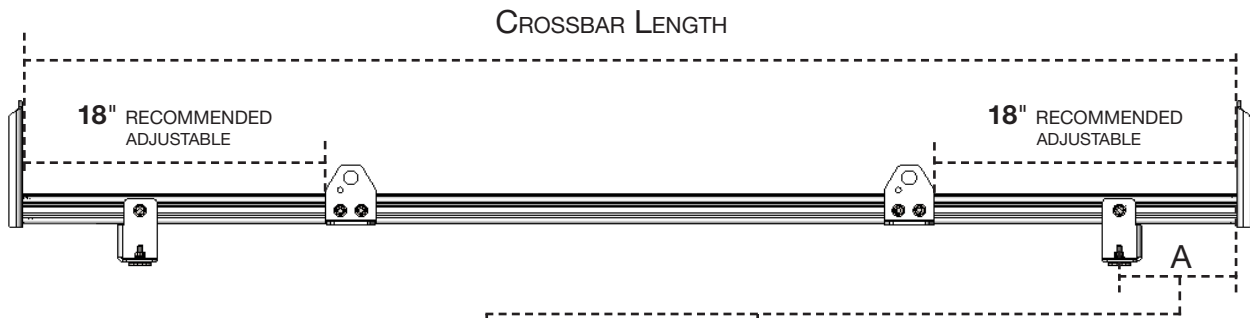
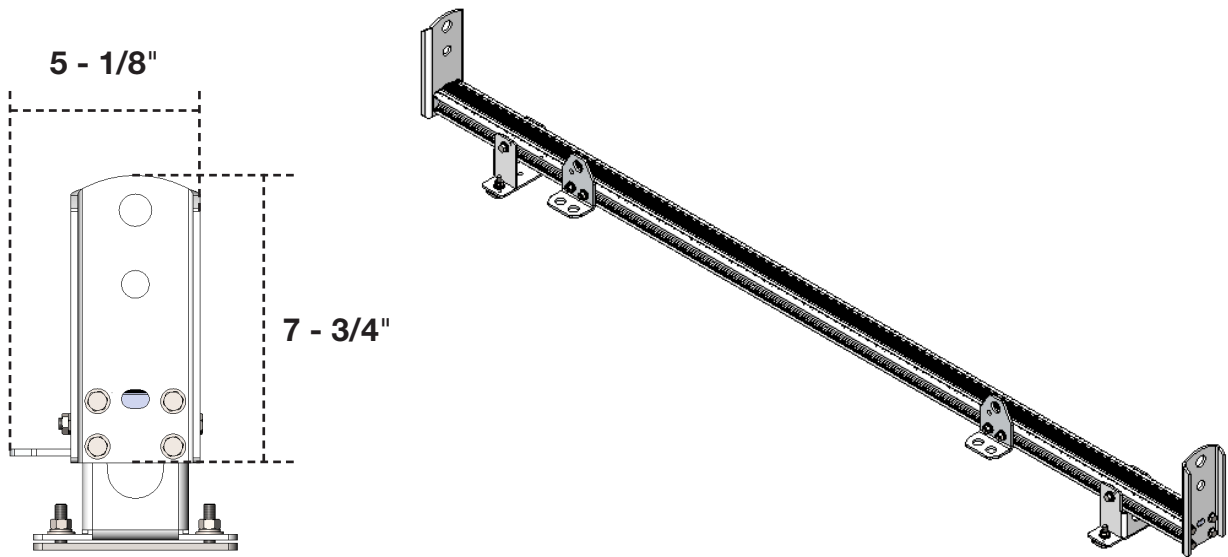
**“You have successfully completed Operation 1
Crossbar!
Open the next box to continue assembling your rack**

Thank you for doing business with us.”

For any feedback or suggestions you might have, please contact: cs@rangerdesign.com



INSTALLATION GUIDE



| FOOT PLACEMENT GUIDE | |
|----------------------|---------------------|
| VEHICLE | DIMENSION (A) |
| NISSAN NV | 7" |
| SPRINTER | 10" HR, 6 - 1/2" LF |
| TRANSIT | 8 - 7/8" |
| PROMASTER | 7 - 1/16" |

| FOOT PLACEMENT GUIDE | |
|----------------------|-----------------|
| VEHICLE | DIMENSION (A) |
| METRIS | 6 - 1/4" |
| PROMASTER CITY | 6 - 7/8" |
| TRANSIT CONNECT | 6 - 3/4" |
| NV200 | 7 - 3/4" |

16-U0005 CARGO RACK KIT - SINGLE CROSSBAR

Crossbar not included in the Kit

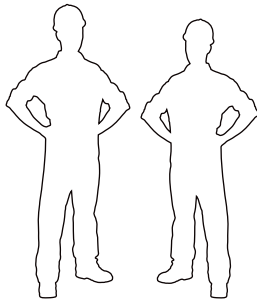


QUICK START GUIDE

Phase 1 - Assembly

- 1.1.1 SETUP (VERIFY ALL PARTS ARE PRESENT)..... 2 TO 4
- 1.2.1 ASSEMBLY (ATTACH TIE DOWNS, BRACKET - SIDE AND TRACK PLUG)..... 5
- 1.2.2 ASSEMBLY (ATTACH CROSSBAR TO THE MOUNTING TRACK)..... 6 - 7

REQUIRED ITEMS



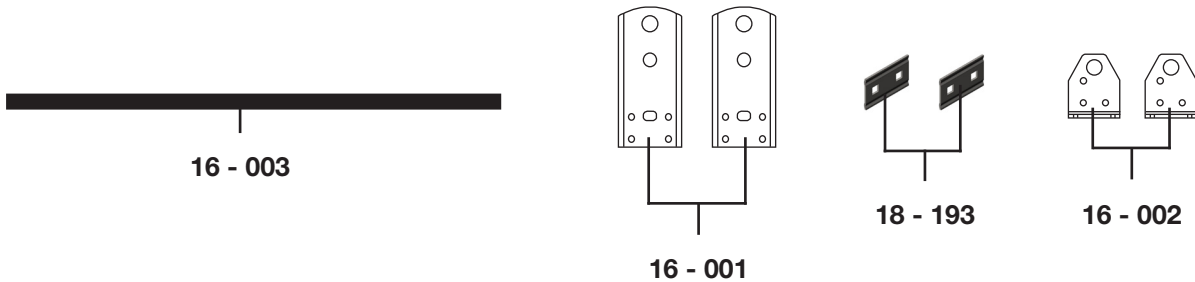
**2
PERSONS**

- Cordless Impact
- Ratchet
- Tape Measure
- Marker
- Ladder
- 1/2" Wrench
- 1/2" Socket

PHASE 1 – ASSEMBLY

1.1 SETUP

1.1.1 Verify all parts are present.



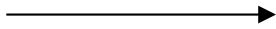
VERIFY ALL PARTS ARE PRESENT

| Item No. | Description | Qty. |
|----------|-------------------------------|------|
| 16-001 | BRACKET - SIDE, CARGO | 2 |
| 16-002 | TIE DOWN | 2 |
| 16-003 | TRACK PLUG (72") | 1 |
| 18-193 | INSERT PLATE | 2 |
| 96-4805 | CUSTOMER INSTALL FASTENER KIT | 1 |

VERIFY ALL PARTS ARE PRESENT

FASTENER BAGS.

96-4805



Fastener Assembly

8x



90-998

Hex Bolt
5/16" - 18 x 3/4"
SS304

4x



90-491

Carriage Bolt
5/16"-18 x 1"
SS304

4x



94-105

Hex Nut
5/16"
SS316 WAX

4x



98-117

Flat Washer
5/16" OD, 3/4"
SS18-8

4x



98-123

Lock Washer
5/16"
SS304

8x



#90-998 Hex Bolt 3/4"

4x



#90-491 Hex Bolt 1"



#98-123 Lock Washer



#98-117 Flat Washer



#94-105 Hex Nut

3 DIFFERENT WAYS TO ATTACH TIE DOWN.

RECOMENDED SETUP



FOR LADDER



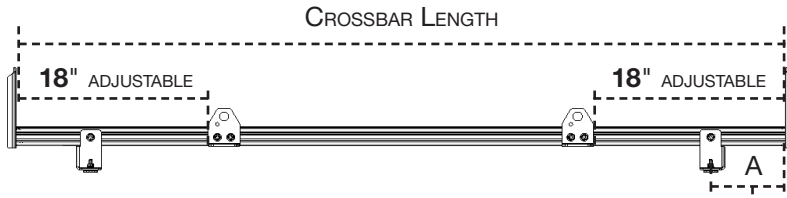
TOP FLUSHED



PHASE 1 – ASSEMBLY

1.2 ASSEMBLY

1.2.1 Attach tie downs, bracket - side, track plug and feet to the crossbar.



NOTE:

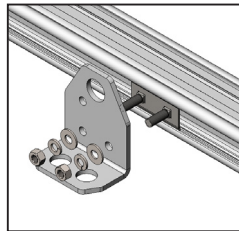
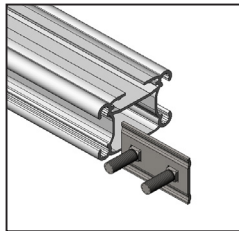
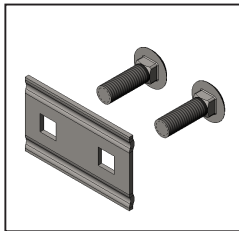
- Attach the track plug on top of the crossbar from end to end.
- Attach tie downs 1st followed by the feet and then the bracket - end.

| FOOT PLACEMENT GUIDE | |
|----------------------|---------------------|
| VEHICLE | DIMENSION (A) |
| NISSAN NV | 7" |
| SPRINTER | 10" HR, 6 - 1/2" LF |
| TRANSIT | 8 - 7/8" |
| PROMASTER | 7 - 1/16" |

| FOOT PLACEMENT GUIDE | |
|----------------------|-----------------|
| VEHICLE | DIMENSION (A) |
| METRIS | 6 - 1/4" |
| PROMASTER CITY | 6 - 7/8" |
| TRANSIT CONNECT | 6 - 3/4" |
| NV200 | 7 - 3/4" |

TOOLS

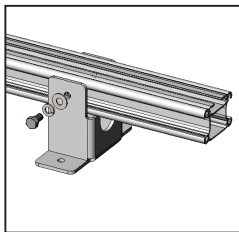
- Ratchet
- 1/2" Socket



FASTENERS USED

4x (17 ft • lbs)

- #90-491 Hex Bolt 1"
- #98-123 Lock Washer
- #98-117 Flat Washer
- #94-105 Hex Nut



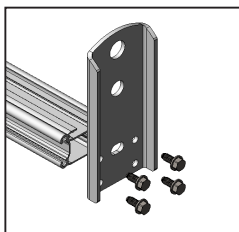
TOOLS

- Cordless Impact
- 1/2" Socket

FASTENERS USED

4x (CROSSBAR FASTENER KIT) (17 ft • lbs)

- #90-203 Hex Bolt 5/8"
- #98-123 Lock Washer 5/16"
- #98-117 Flat Washer 5/16"
- #94-250 Channel Nut 5/16"



TOOLS

- Cordless Impact
- 1/2" Socket

FASTENERS USED

8x (17 ft • lbs)

- #90-998 Hex Bolt 3/4"

SAVANA CARGO RACK

RANGER LOGO

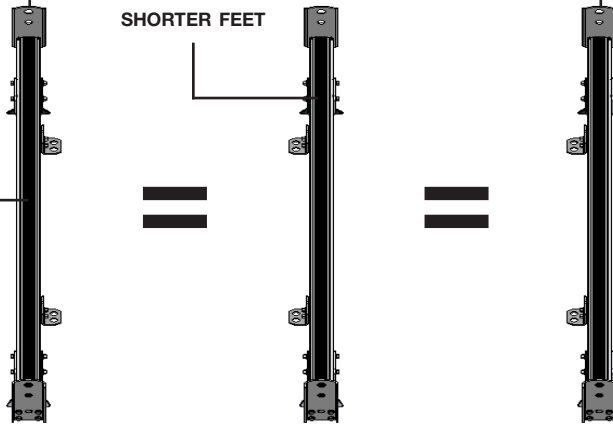


REAR

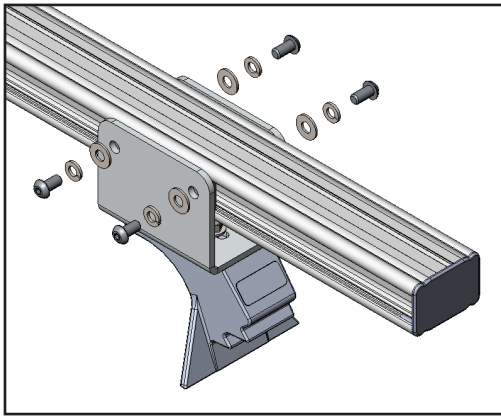
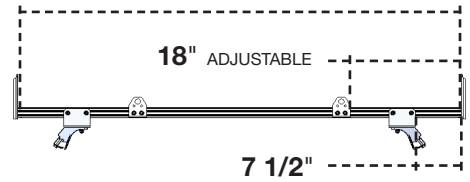
65" RECOMMENDED
ADJUSTABLE

FRONT

SHORTER FEET



CROSSBAR 72"



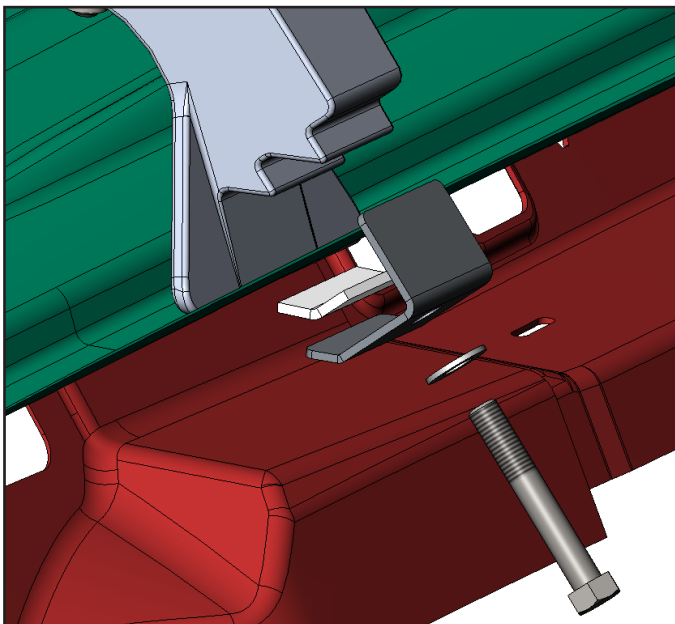
TOOLS

- Ratchet
- 3/16" Hex Bit Socket

FASTENERS USED

8x ONE CROSSBAR (17 ft • lbs)

- #90-979 Hex Drive Bolt 5/8"
- #98-123 Lock Washer 5/16"
- #98-117 Flat Washer 5/16"
- #94-250 Channel Nut 5/16"



TOOLS

- Ratchet
- 1/2" Socket

FASTENERS USED

2x ONE CROSSBAR (17 ft • lbs)

- #90-327 Hex Bolt 3/8" x 2-1/2"
- #98-109 Flat Washer
- #10-411 Gutter Clip
- #10-602 Rubber Mat
- #10-447 Feet
- #94-109 Lock Nut

1605-GS



1605-GS3



**“Congratulations, you have successfully installed your
Cargo Rack on your vehicle!”**

Thank you for doing business with us.”

For any feedback or suggestions you might have, please contact: cs@rangerdesign.com

