

INSTALLATION INSTRUCTIONS AND PARTS LIST

MODEL 415054, 415060, GRIP STEPS (BOARDS ONLY)

UNIVERSAL APPLICATIONS

1. Read instructions completely and check to make sure that all required parts (listed on the service parts list) are on hand before starting the installation.
2. Follow the instructions included with the specific bracket package that you are using to mount the brackets to your vehicle.
3. Step assembly:
 - 3.1 Before attaching the grip steps to the brackets, slide the appropriate number of support braces (item #2) into the channel of the step (item #1).
 - 3.2 Slide the end cap (item #3) over the front and rear of each step. Using the supplied #8 x 1/2" self drilling tek screw (item #8), screw the end cap to the bottom of the step.
4. Attaching the step to the mounting bracket:
 - 4.1 Set the step on the mounting brackets, and slide each support brace over the top of each mounting bracket. Attach the flat spacer plate (item #4) to the bottom of the step, between the support brace, and the top of the mounting bracket.
 - 4.2 Using the supplied 5/16-18 x 1" carriage bolt, washer, and flange nuts, (item #5, 6, 7), attach the step assembly, flat spacer plate and mounting bracket. **(NOTE: Some of the flange nuts are supplied in the specific bracket package, not the step package.)**
 - 4.3 Set the step plate in the correct position and tighten all fasteners.
Torque all 5/16" fasteners to 19 LB FT.

SERVICE PARTS LIST

| ITEM | PART NO. | QTY | DESCRIPTION |
|------|----------|-----|---|
| 1 | 551954 | 2 | EXTRUSION-AL,54, GRIP STEP,BLK,415054 |
| 1 | 551955 | 2 | EXTRUSION-AL,59.62,GRIP STEP,BLK,415060 |
| 2 | 551296 | 4 | SUPPORT BRACE, UPPER, GALV |
| 3 | 551394 | 4 | CAP-END,GRIP STEP, BLACK, PLASTIC |
| 4 | 551298 | 4 | SPACER PLATE, LOWER, BLACK |
| 5 | 108683 | 8 | BOLT-CRG,5/16-18 X 1.0", SST |
| 6 | 101369 | 8 | WASHER-FLAT,5/16,SST |
| 7 | 102680 | 8 | NUT-SERR FLG,HX,SST,WX,5/16-18 |
| 8 | 107958 | 8 | SCR-TEK #8-18 X 1/2",SST,BLK |

LIVERNE
TRUCK EQUIPMENT

(A LIVERNE Company)

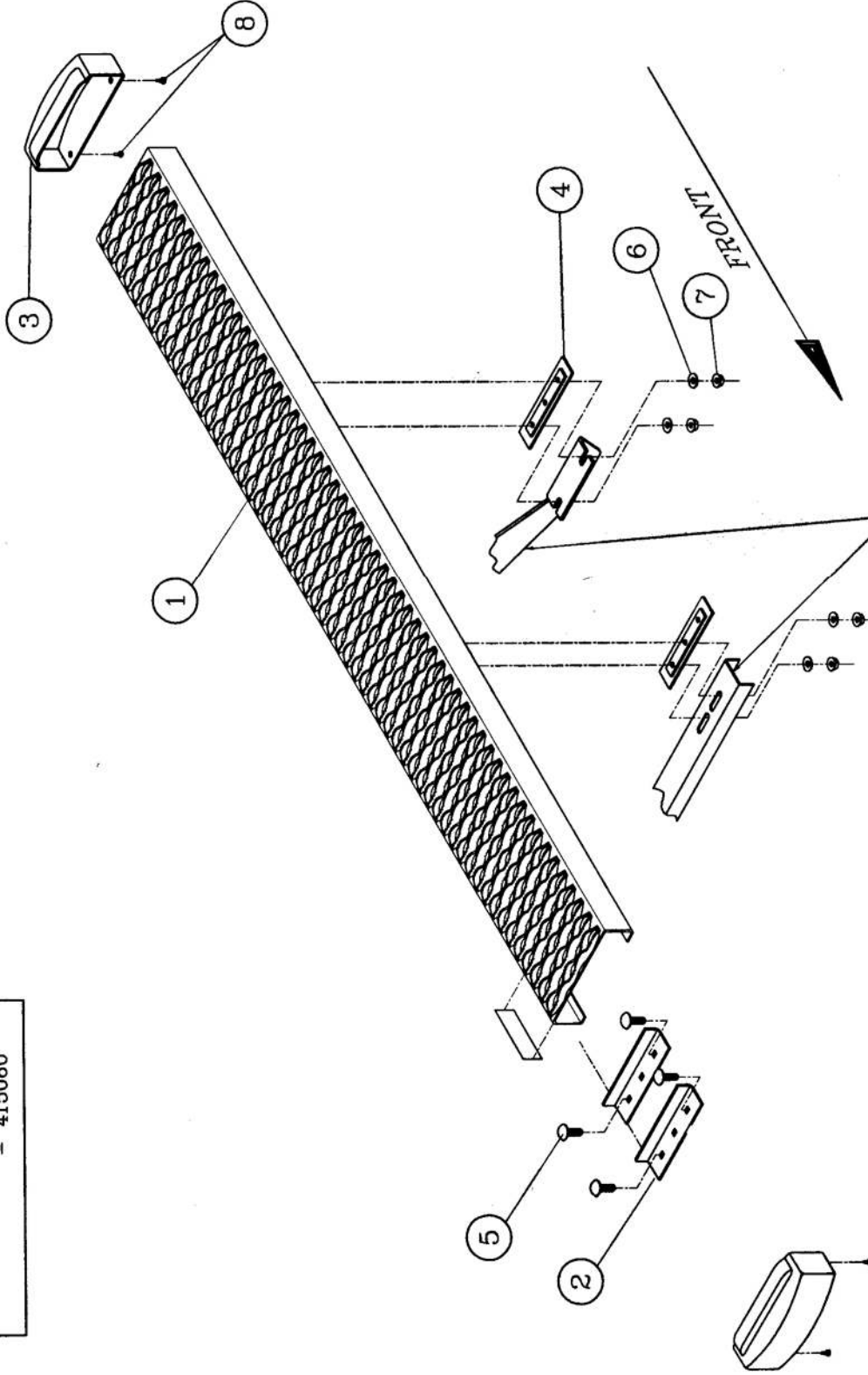
1200 E. Birch St.

Brandon, SD 57005

551958 SHEET 1 OF 2 22JUL11

SERVICE PARTS LIST

MODEL NO. - 415054
- 415060



MOUNTING BRACKET SHOWN
FOR VISUAL EFFECT ONLY
(NOT INCLUDED)

LAVERNE
TRUCK EQUIPMENT
(A LAVERNE Company)

1200 E. Birch St.
Brandon, SD 57005