

INSTALLATION INSTRUCTIONS AND PARTS LIST
APPLICATION: MODEL **401728** W2W GRIP STEP BRACKETS ON:
FORD SUPER DUTY PICKUPS

**NOTICE: PLEASE NOTE THE CHANGE IN STEP 10 REGARDING TORQUE VALUES FOR THE
FACTORY LEAF SPRING BOLT.**

1. READ INSTRUCTIONS COMPLETELY AND CHECK TO MAKE SURE THAT ALL REQUIRED PARTS (LISTED ON SERVICE PARTS LIST) ARE ON HAND BEFORE STARTING THE INSTALLATION.
2. ON THE LEFT SIDE OF THE VEHICLE INSTALL TWO 1.5" ISOLATOR WASHERS (ITEM #3), THE STEP MOUNTING BRACKET (ITEM #2) AND TWO M8-1.25 FLANGE NUTS (ITEM #4) OVER THE FACTORY PROVIDED STUDS ON THE INSIDE OF THE ROCKER PANEL AS SHOWN.
3. REPEAT STEP 2 FOR THE REAR BRACKET.
4. CHECK THAT THE FRONT AND REAR BRACKETS ARE LEVEL AND TIGHTEN ALL FLANGE NUTS.

NOTE: IF INSTALLING ON A REGULAR CAB PICKUP SKIP TO STEP #10.

5. REMOVE THE CENTER BODY MOUNT BOLT AND INSTALL THE CENTER INBOARD MOUNTING BRACKET (ITEM #10) AS SHOWN IN FIGURE 1.
6. USING THREE 3/8"-18 X 1.0" HEX BOLTS (ITEM #5) THREE 3/8" FLAT WASHERS (ITEM #6) AND THREE 3/8"-18 FLANGE NUTS (ITEM #7) ATTACH THE OUTBOARD BRACKET (ITEM #11) TO THE INBOARD BRACKET (ITEM #10). ADJUST THE HEIGHT TO MATCH YOUR STEP BOARD AND TIGHTEN BOLTS.
7. ASSEMBLE THE LOAD REACTION STUDS AND HARDWARE (ITEMS #6-9) AS FOLLOWS.
 - 7.1. ON THE SHORT THREADED END OF THE LOAD REACTION STUD (ITEM #9), INSTALL A 3/8" FLANGE NUT (ITEM #7) BACKWARDS ONTO THE BOTTOM OF THE THREAD. THEN INSTALL A 3/8" FLAT WASHER (ITEM #6) AND RUBBER CUSHION WASHER (ITEM #8) TIGHT UP AGAINST THE FLANGE NUT. (THE END OF THE STUD MUST BE RECESSED IN THE RUBBER WASHER APPROX. 3/16")
 - 7.2. ON THE LONG THREADED END OF THE STUD, INSTALL A 3/8" FLANGE NUT (ITEM #7) BACKWARDS TO NEAR THE BOTTOM OF THE THREADS.
8. CHECK THAT THE CENTER BRACKET IS PERPENDICULAR TO THE BODY OF THE VEHICLE AND TIGHTEN THE BODY MOUNT BOLT PER THE MANUFACTURES SPECIFICATIONS.
9. INSTALL THE LOAD REACTION STUD INTO THE CENTER INBOARD BRACKET (ITEM #10) AS SHOWN IN FIGURE 1 AND ADJUST THE INBOARD NUT SO THAT THE RUBBER CUSHION WASHER IS SNUG UP AGAINST THE FRAME OF THE VEHICLE. INSTALL A 3/8" FLANGE NUT (ITEM #7) ON THE OUTBOARD SIDE OF THE STUD AND TIGHTEN TO 19 LB-FT.
10. LOOSEN THE NUT AND BOLT ON THE SPRING SHACKLE JUST ENOUGH TO SLIP THE REAR INBOARD BRACKET (ITEM #12) BEHIND THE NUT AS SHOWN IN FIG 2. NOTE: ON THE PASSENGER SIDE THE NUT WILL HAVE TO BE LOOSENED, AND THE BOLT SLID OUTWARD IN ORDER TO INSTALL THE MOUNTING BRACKET. **DO NOT REMOVE THE BOLT COMPLETELY AS THIS COULD RESULT IN INJURY.** ADJUST THE BRACKET SO THAT IT IS VERTICAL. **NOTE: FOLLOW FACTORY-RECOMMENDED TORQUE VALUES TO RE-INSTALL THE LEAF SPRING SHACKLE BOLT AS REQUIRED TO ATTACH THE REAR MOUNTING BRACKET TO THE VEHICLE. THIS ATTACHMENT POINT SHOULD BE PERIODICALLY INSPECTED (AND RE-TORQUED IF NECESSARY) IN ACCORDANCE WITH THE FACTORY RECOMMENDED VALUES.**



11. USING TWO 5/16-18 X 1" BOLTS (ITEM #16) TWO 5/16 FLAT WASHER (ITEM #15) AND TWO 5/16-18 FLANGE NUTS (ITEM #17) INSTALL THE OUTBOARD BRACKET (ITEM #14) AS SHOWN IN FIGURE 2.
NOTE: LEAVE THIS BRACKET LOOSE AT THIS TIME.
12. ATTACH THE STEP BOARD TO THE MOUNTING BRACKETS AS DESCRIBED IN THE INSTRUCTION SHEET INCLUDED WITH YOUR STEP BOARD ASSEMBLY.
13. ADJUST THE REAR OUTBOARD BRACKET FOR YOUR STEP ASSEMBLY AND TIGHTEN THE BOLTS SECURING THE OUTBOARD BRACKET TO THE INBOARD BRACKET.
14. REPEAT STEPS 2 – 13 FOR THE RIGHT SIDE OF THE VEHICLE.

SERVICE PARTS LIST

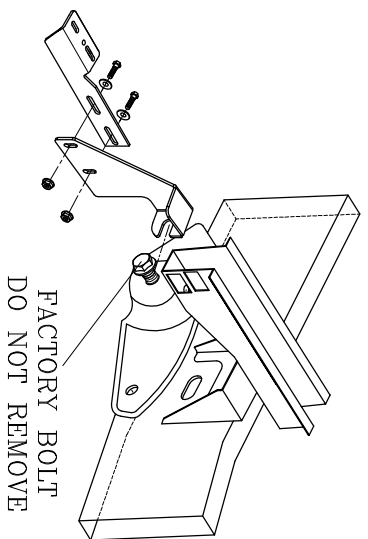
ITEM	QTY	DESCRIPTION
1	1	STEP ASSY, GRIP STEP
2	4	BRACKET-MTG, GRIP STEP, 401728
3	8	WASHER – NYLON, .36" X 1.5" X .032" BLACK
4	8	NUT- FLANGE, M8-1.25, ZP
5	6	BOLT-HEX HD, 3/8"-16 X 1.00", ZP
6	8	WASHER-FLAT, 3/8", ZP
7	12	NUT-FLANGE, 3/8"-16, ZP
8	2	WASHER-RUBBER, .354 X 1.0 X .75
9	2	STUD-DBL END, 3/8"-16 X 5"
10	2	BRKT-MTG, CTR, INBOARD, 401728
11	2	BRKT-MTG, CTR, OUTBOARD, 401529
12	1	BRKT-MTG, REAR, W2W, INBOARD, LH, 401728
13	1	BRKT-MTG, REAR, W2W, INBOARD, RH, 401728
14	2	BRKT-MTG, REAR, W2W, OUTBOARD,
15	4	WASHER-FLAT, .375X.875X.083, BZP
16	4	SCR-HEX, 5/16-18 X 1.0", BZP
17	4	NUT-FLANGE, 5/16-18, BZP



SERVICE PARTS LIST

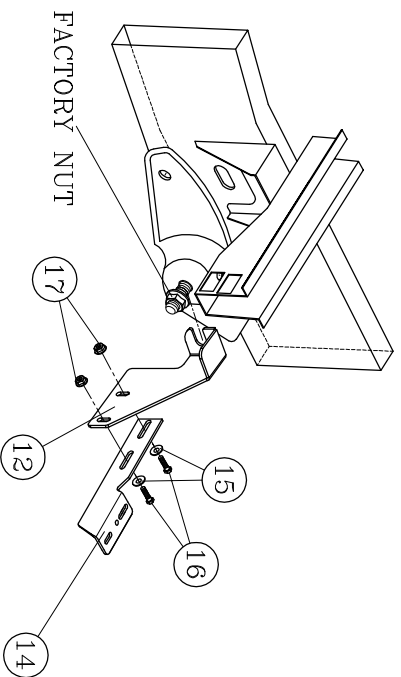
MODEL NO. - 401729
401728

FORD SUPER DUTY WZV GRIP STEPS



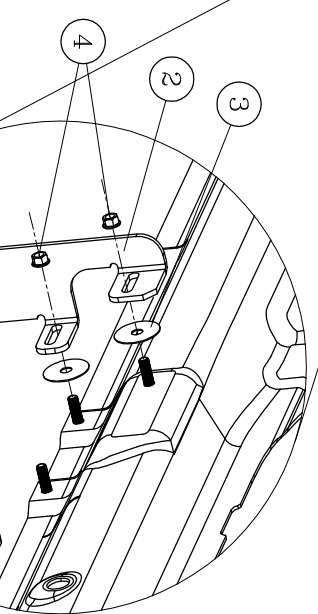
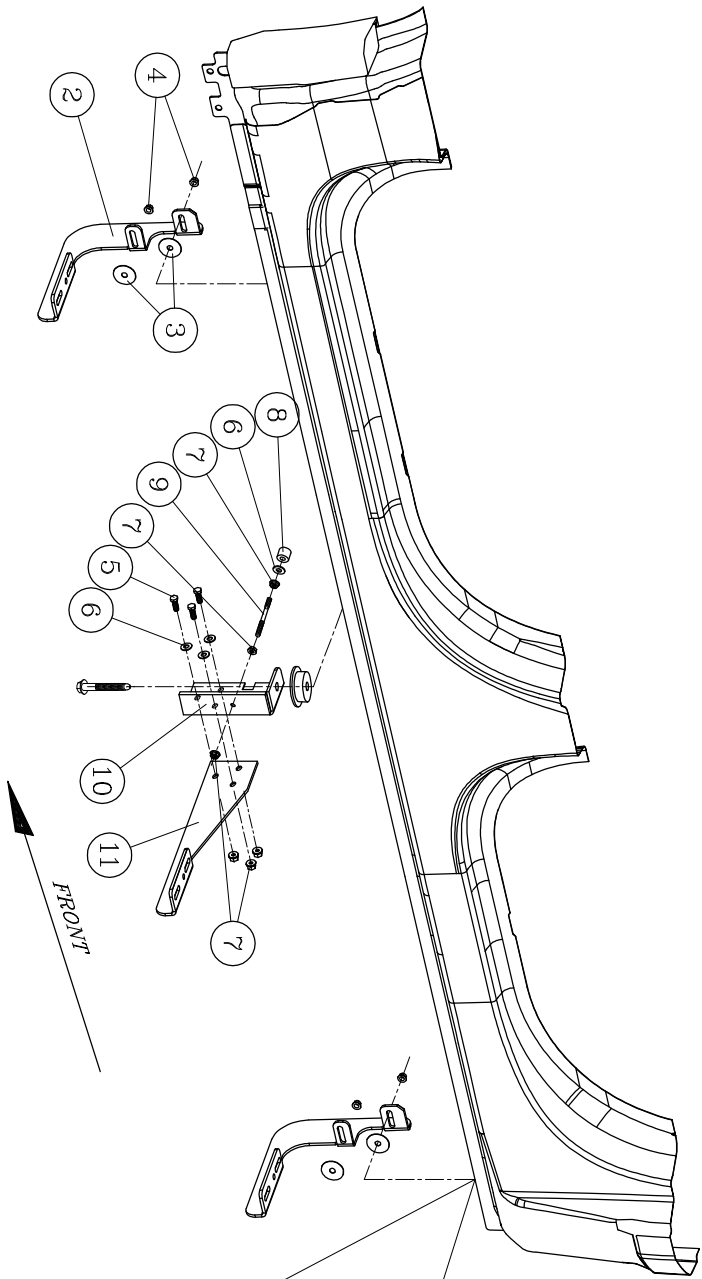
- REAR BRACKET ASSEMBLY -
- RH (PASSENGER SIDE) -

- FIG 3 -



- REAR BRACKET ASSEMBLY -
- LH (DRIVER SIDE) -

- FIG 2 -



REVERSE SIDE

NOTE: SUPER CREW CONFIGURATION SHOWN
OTHER CAB CONFIGURATIONS WILL VARY



- FIGURE 1 -
- LEFT (DRIVERS) SIDE SHOWN -

REV C 30APR19
REV B 18JAN17
REV A 30DEC16
553107 SHEET 3 OF 3 060CT16