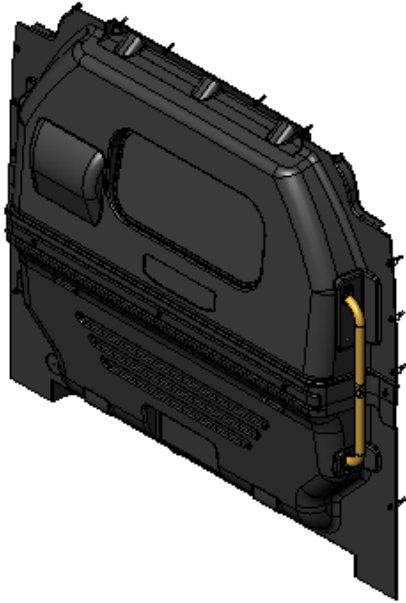
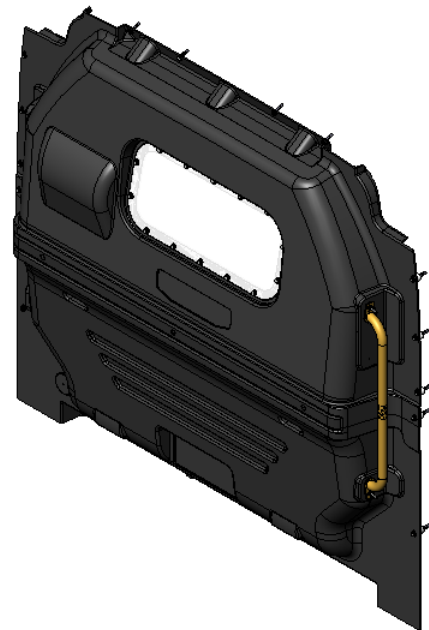


INSTALLATION GUIDE



3310-RP



3320-RP

Composite Partition
RAM Promaster



QUICK START GUIDE

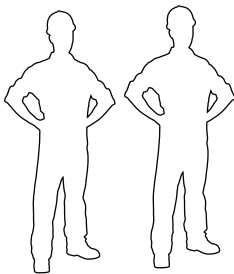
Phase 1 - Assembly

| | |
|--|-------|
| <input type="checkbox"/> 1.1 Setup..... | 3 - 4 |
| <input type="checkbox"/> 1.2 Partition Assembly..... | 5 |

Phase 2 - Install

| | |
|--|--------|
| <input type="checkbox"/> 2.1 Vehicle Preparation..... | 6 - 8 |
| <input type="checkbox"/> 2.2 Partition Installation..... | 9 - 10 |
| <input type="checkbox"/> 2.3 Handle Installation..... | 11 |

REQUIRED ITEMS



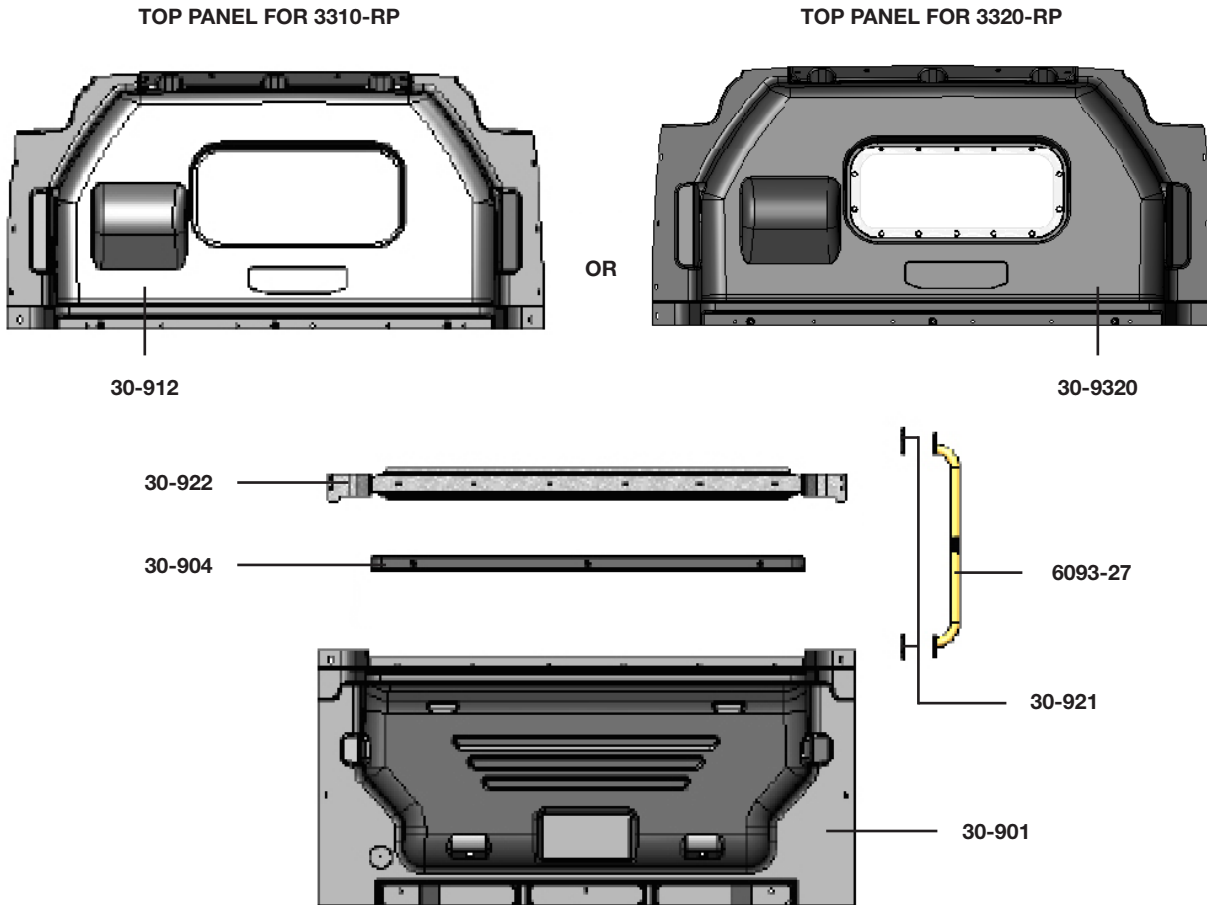
2
PERSONS

- Cordless Impact
- Cordless Drill
- Marker
- Plusnut Tool
- Tape Measure
- 3/8" Drill Bit
- 7/16" Socket
- 1/2" Socket
- 1" Hole Saw
- 9/16" Wrench

PHASE 1 – ASSEMBLY

1.1 SETUP

1.1.1 Unpack components; compare with the bill of materials.



1.1.2 Verify all parts are present.

| Item No. | Description | Qty. |
|-------------------|-----------------------|------|
| 30-901 | Bottom Panel | 1 |
| 30-904 | Bolt Cap | 1 |
| 30-912 OR 30-9320 | Top Panel | 1 |
| 30-922 | Support | 1 |
| 30-921 | Handle Plate | 2 |
| 6093-27 | Large Grab Handle | 1 |
| 94-5017 | Assembly Fastener Kit | 1 |
| 96-3041 | Install Fastener Kit | 1 |

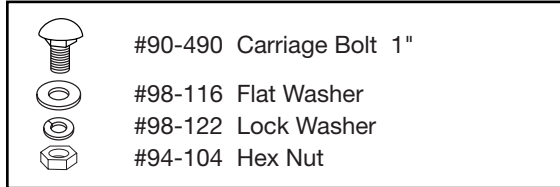
1.1.3 Identify the **Assembly** and **Installation** fastener bags.

94-5017



Hardware Assembly

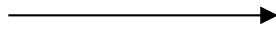
x6



x3



96-3041

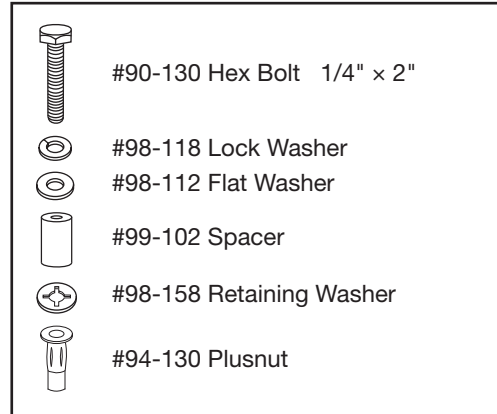


Hardware Assembly

x8



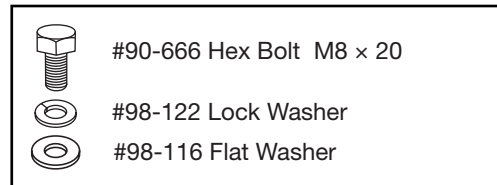
x2



x5



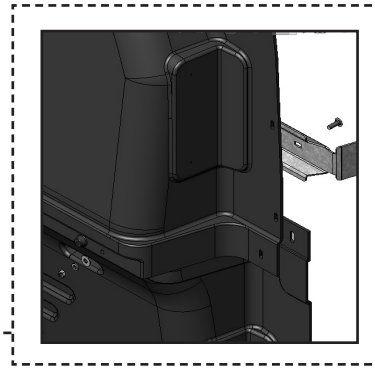
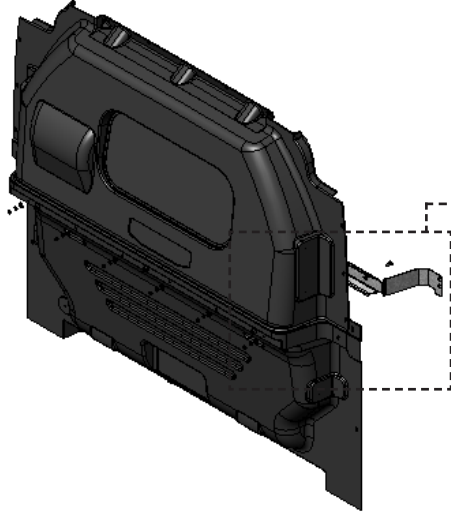
x1



PHASE 1 – ASSEMBLY

1.2 PARTITION ASSEMBLY

1.2.1 Attach the top and bottom panel with support bracket.



TOOLS

- Cordless Impact
- 1/2" Socket

HARDWARE USED

6x



#90-490 Carriage Bolt 1"



#98-116 Flat Washer

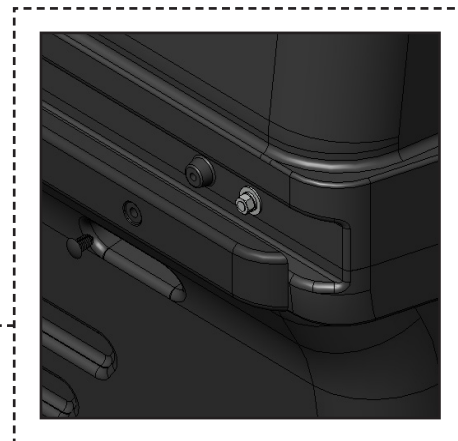
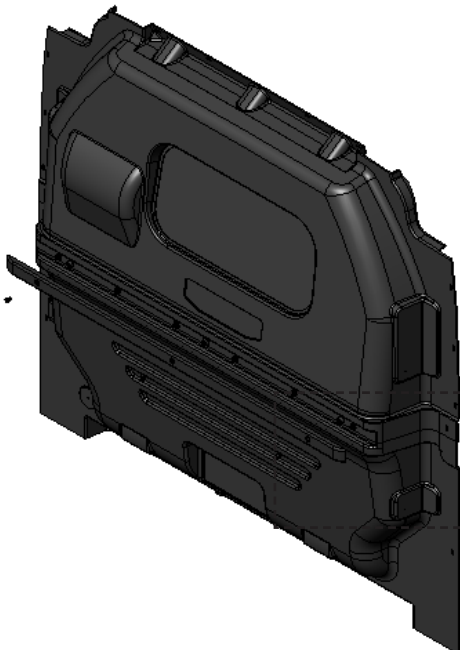


#98-122 Lock Washer



#94-104 Hex Nut

1.2.2 Plug the Bolt cap to the partition using Christmas tree plug.



HARDWARE USED

3x

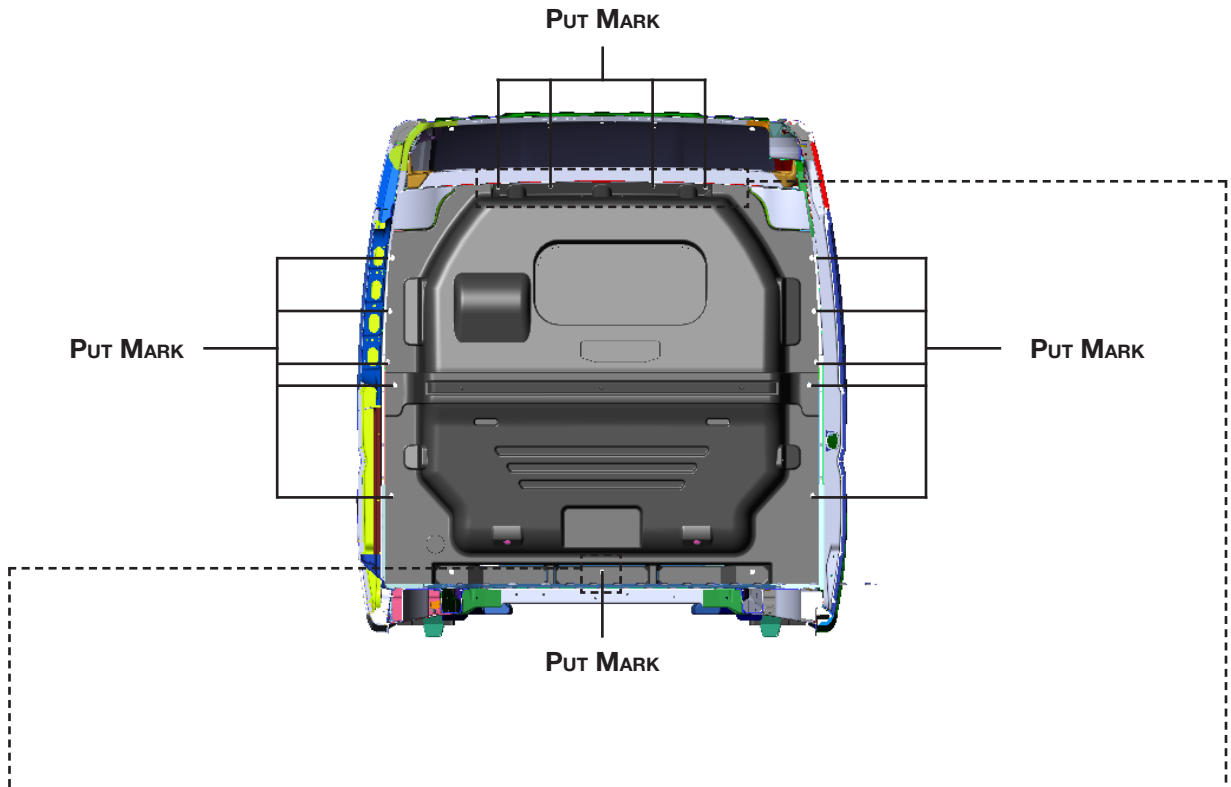


#99-109 Christmas tree plug

PHASE 2 – INSTALL

2.1 VEHICLE PREPARATION

2.1.1 Lift the partition on the van and put it in place.



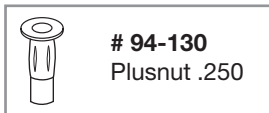
Attach plusnut on the center hole in the floor.



TOOLS
☐ Plusnut Tool

HARDWARE USED

1x



Lift the partition on the side, then drill the 4 marks on the top or enlarge the holes using 3/8" drill bit.



TOOLS
☐ Cordless Drill
☐ 3/8" Drill Bit or Step Drill

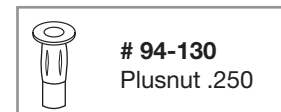
Cut or drill the plastic cover through the 4 holes, then Attach plusnuts in the 4 holes.



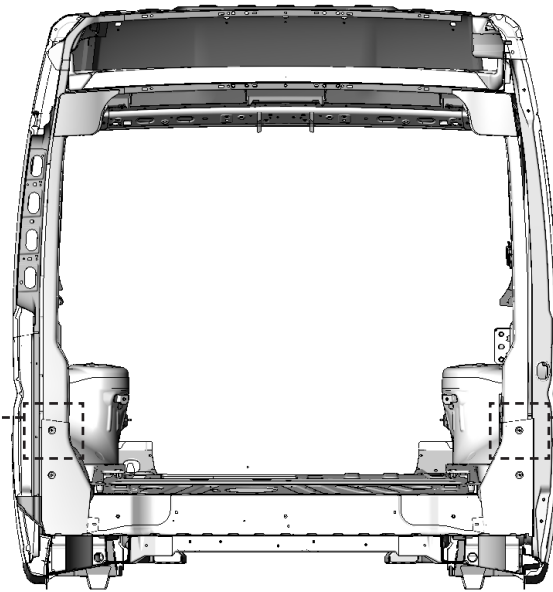
TOOLS
☐ Plusnut Tool
☐ 1" Hole Saw or Knife

HARDWARE USED

4x



2.1.2 Removing screw and attaching plusnut on the van.



Remove the factory screws.

TOOLS

- Phillips Head Drive Bit
- Cordless Drill



Cut the plastic with a 1-1/2" hole saw.

TOOLS

- Cordless Drill
- 1-1/2" Hole Saw



Attach plusnuts in the 2 holes.

TOOLS

- Plusnut Tool

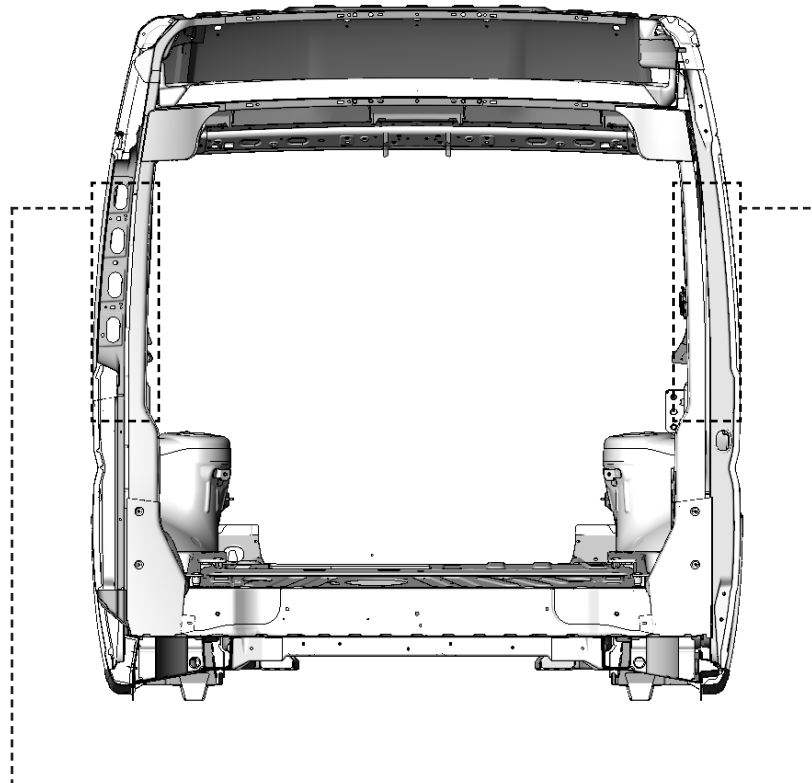
HARDWARE USED

2x



94-130
Plusnut .250

2.1.3 Driver and passenger sides preparation.



Drill through the plastic using the hole saw.

TOOLS

- Cordless Drill
- 1" Hole Saw



Enlarge the holes if the plusnuts don't fit and make new holes if they don't align with the panel on the van.

TOOLS

- Cordless Drill
- 3/8" Drill Bit or Step Drill



Attach plusnuts in the 6 holes.

TOOLS

- Plusnut Tool

HARDWARE USED

6x

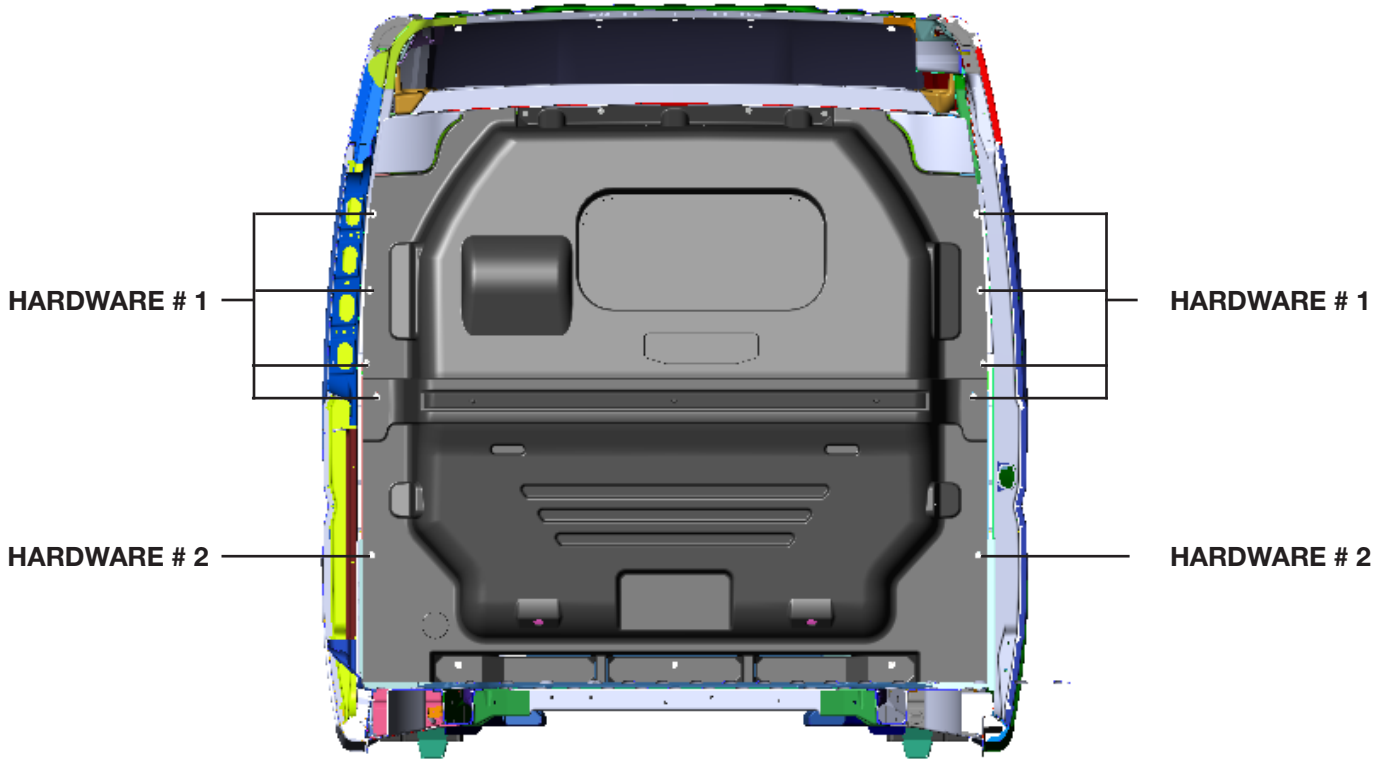


94-130
Plusnut .250

PHASE 2 – INSTALLATION

2.2 PARTITION INSTALLATION

2.2.1 Lift and place the partition back on the van, then attach the partition to the








HARDWARE # 1

TOOLS

- Cordless Impact
- 7/16" Socket

HARDWARE USED

8x

-  #90-122 Hex Bolt 1/4" x 1-1/2"
-  #98-118 Lock Washer
-  #98-112 Flat Washer
-  #98-161 Spacer
-  #98-158 Retaining Washer

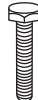




HARDWARE # 2

TOOLS

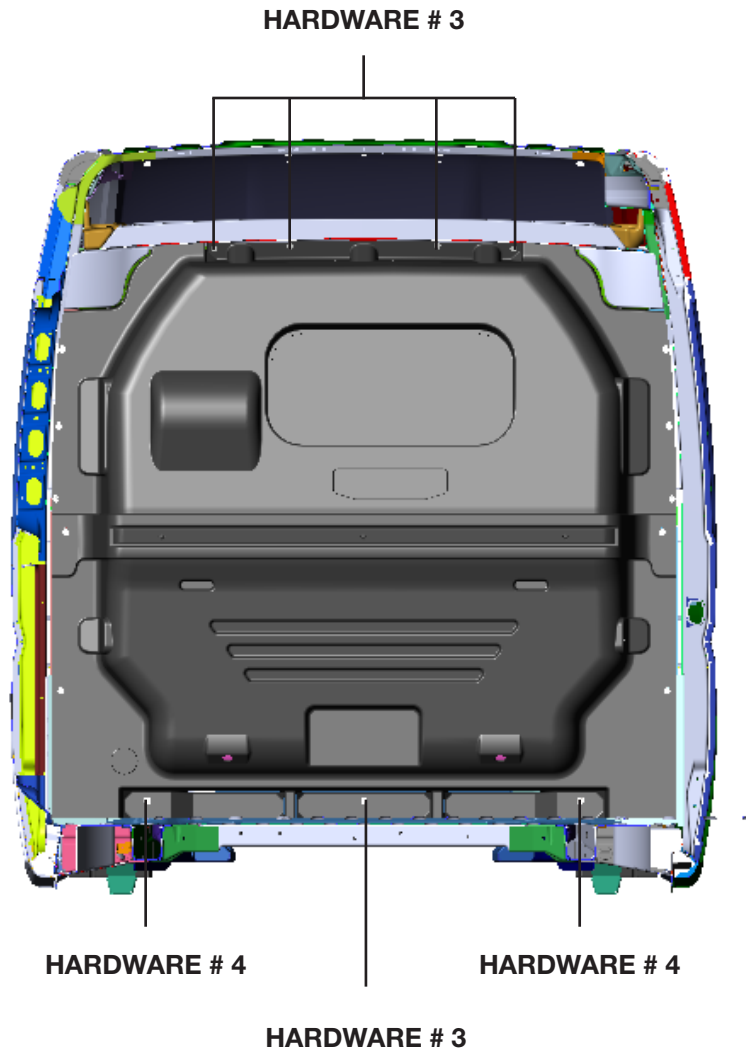
- Cordless Impact
- 7/16" Socket

HARDWARE USED

2x

-  #90-130 Hex Bolt 1/4" x 2"
-  #98-118 Lock Washer
-  #98-112 Flat Washer
-  #99-102 Spacer
-  #98-158 Retaining Washer

2.2.2 Bolt the top and bottom of the partition to the van.






HARDWARE # 3

TOOLS

- Cordless Impact
- 7/16" Socket

HARDWARE USED

5x

| | |
|---|----------------------------|
|  | #90-114 Hex Bolt 1/4" x 1" |
|  | #98-118 Lock Washer |
|  | #98-112 Flat Washer |




HARDWARE # 4

TOOLS

- Cordless Impact
- 13mm Socket

HARDWARE USED

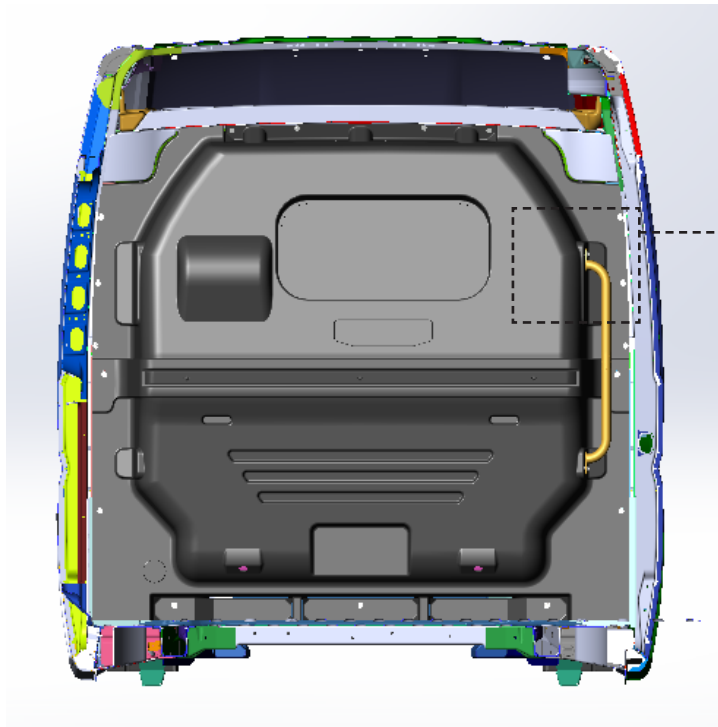
2x

| | |
|---|--------------------------|
|  | #90-666 Hex Bolt M8 x 20 |
|  | #98-122 Lock Washer |
|  | #98-116 Flat Washer |

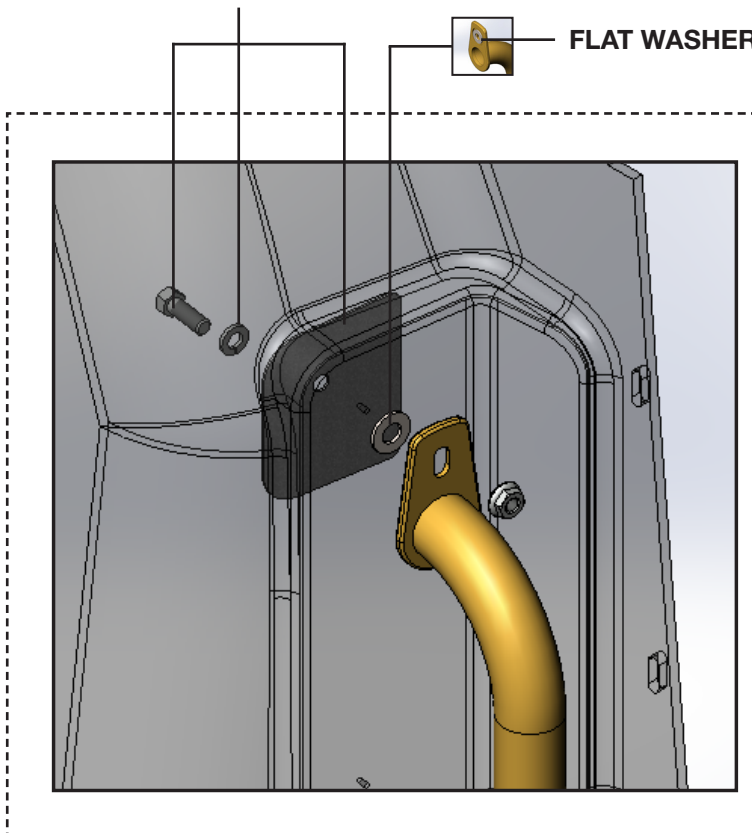
PHASE 2 – INSTALLATION

2.3 HANDLE INSTALLATION

2.3.1 Attach the handle on the passenger side of the van.



INSIDE



NOTE: You need to enlarge the hole in the partition panel.

TOOLS

- Cordless Impact
- Cordless Drill
- 1/2" Socket
- 3/8" Drill Bit

HARDWARE USED

2x GRAB HANDLE FASTENER KIT



#90-206 Hex Bolt 5/16" x 7/8"



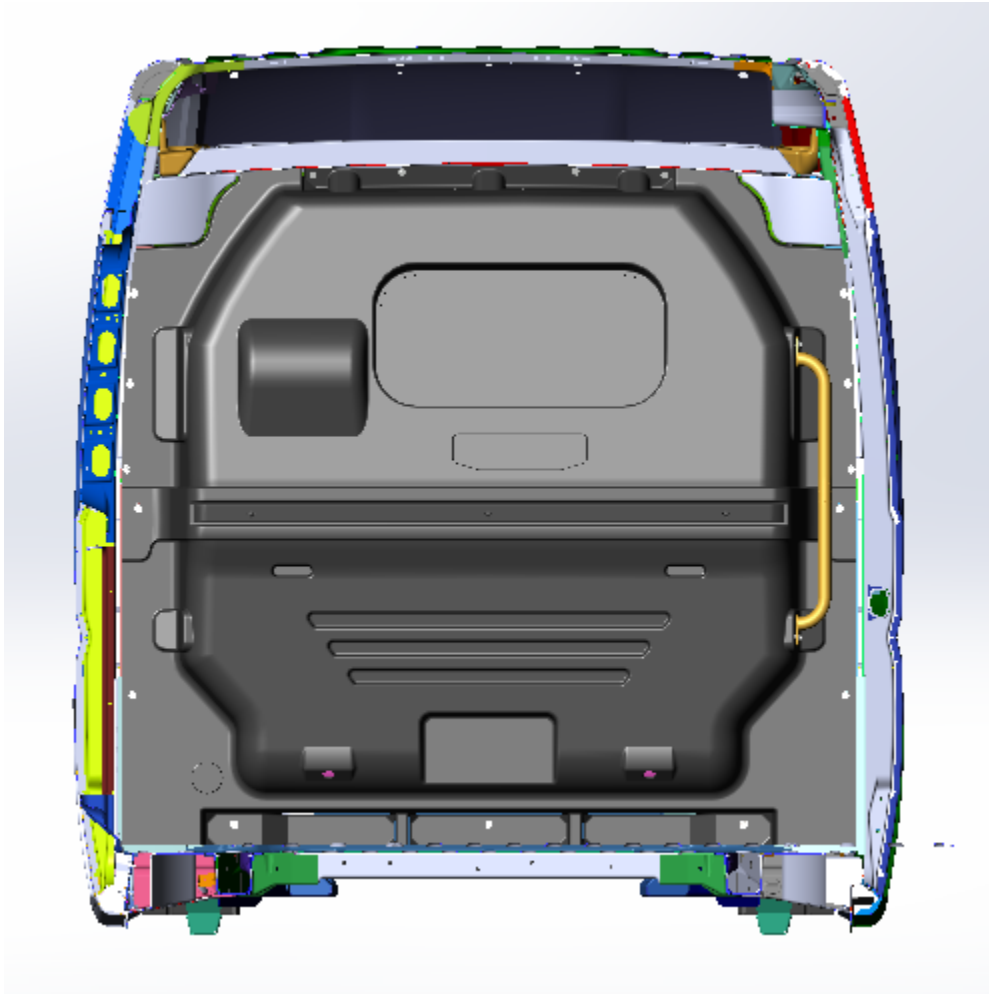
#98-122 Lock Washer



#98-116 Flat Washer



#94-116 Serrated Nut



**“You have successfully installed your
Partition**

Thank you for doing business with us.”

For any feedback or suggestions you may have, please contact: cs@rangerdesign.com

