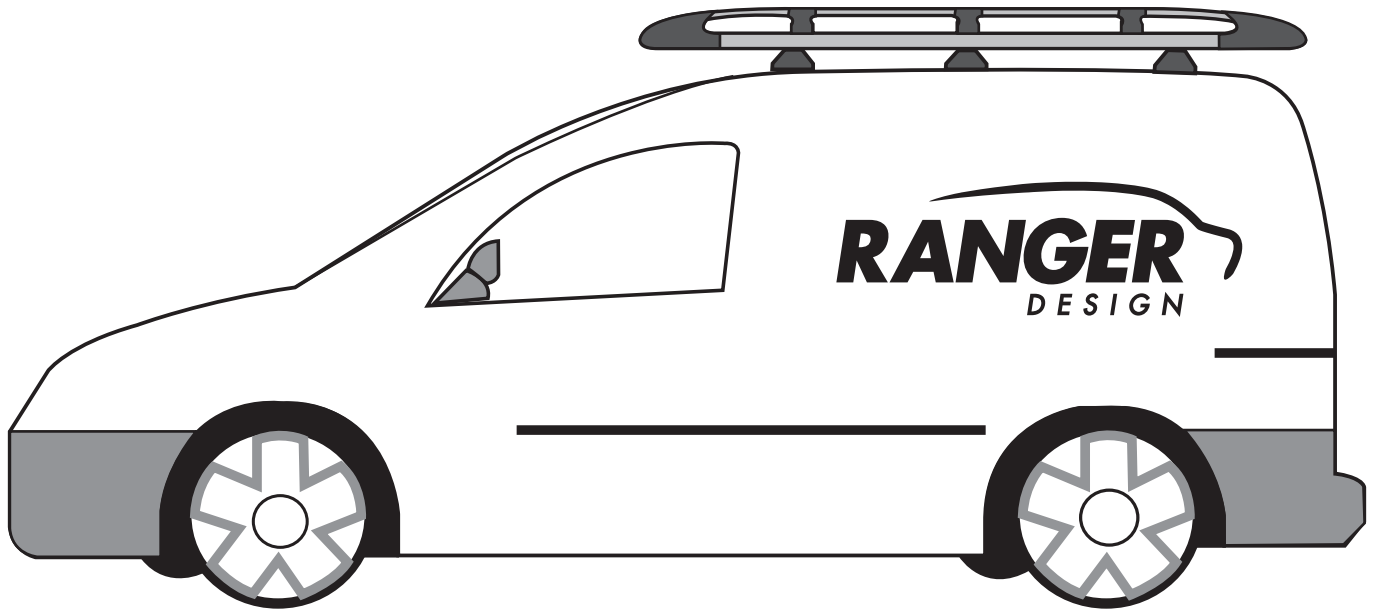


INSTALLATION GUIDE



1506-PC Cargo Plus

Promaster City 122" Wheelbase

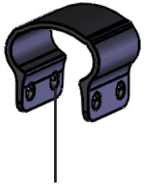


PHASE 1 – ASSEMBLY

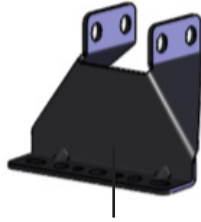
1.1 SETUP

1.1.2 Verify all parts are present.

15-U4003 BOX



SADDLE EXTRUSION x8



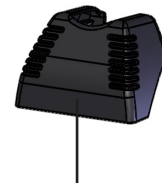
REAR FOOT x2



CENTER FOOT x2



FRONT FOOT x2



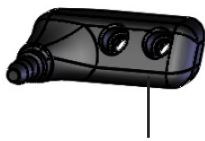
FOOT COWL x8



FOOT COWL x8



ROLLER SUPPORT "R" x1



ROLLER SUPPORT "L" x1



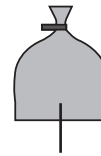
ANGLE PLASTIC x2



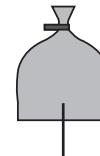
RUBBER SPACER x2



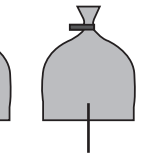
RUBBER SPACER x2



CFK - 1 x1

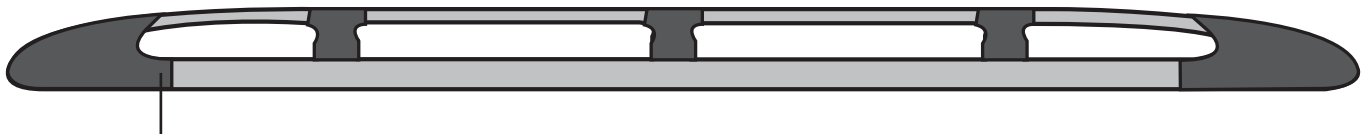


CFK - 2 x1



CFK - 3 x1

15-U1000 BOX



SIDE RAILS x2

15-U3000 BOX



BAR x2



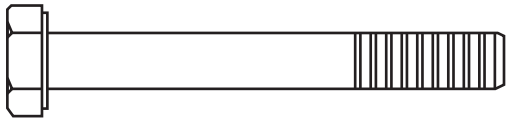
ROLLER x1

15-U2000 BOX



BAR x4

HARDWARE



(M8 × 65) ×12



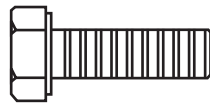
(M6 × 35) ×2



(M6 × 30) ×2



(M6 × 25) ×2



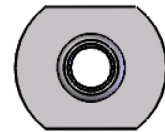
(M6 × 20) ×2



(M8) ×18



(M8) ×12



(M8) ×18



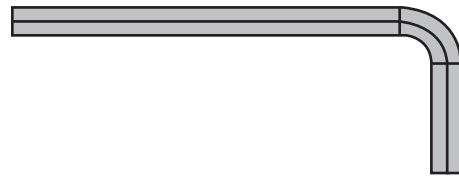
(M8) ×24



(M6) ×10

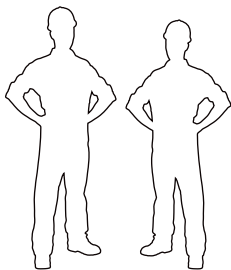


(M6) ×10

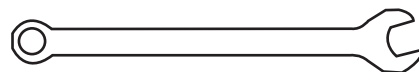


(M8) ×1

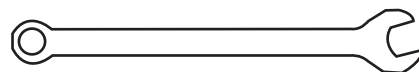
REQUIRED ITEMS



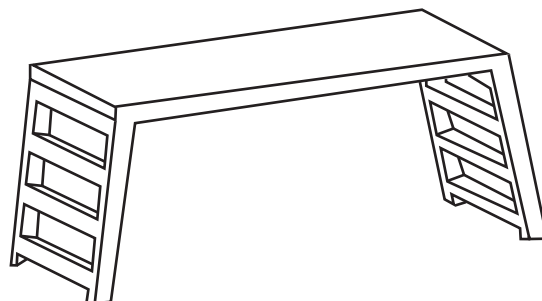
2
PERSONS



10mm ×1



13mm ×2

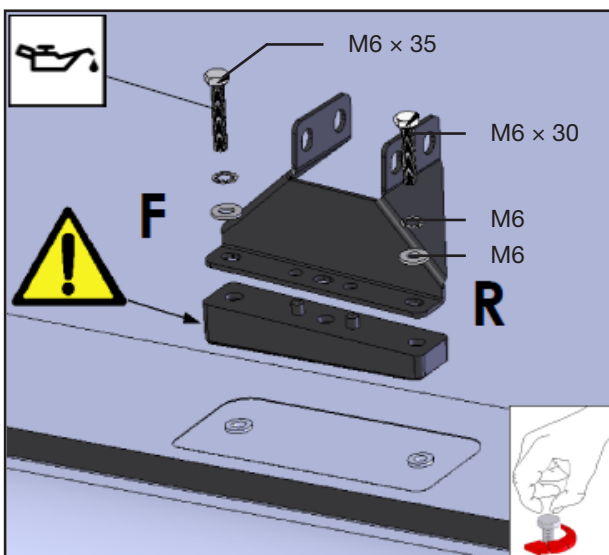
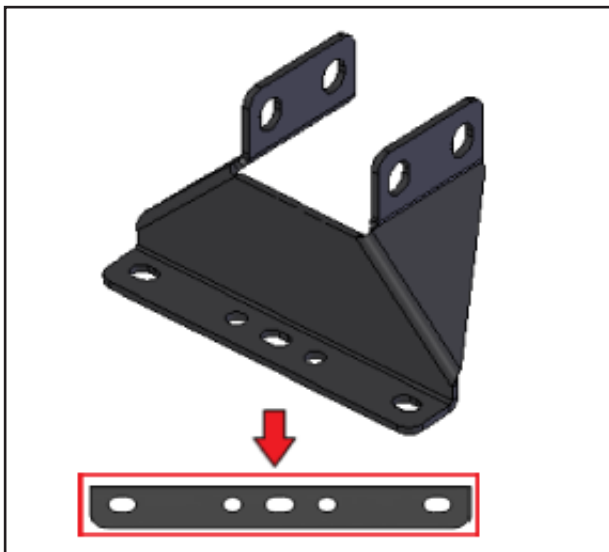
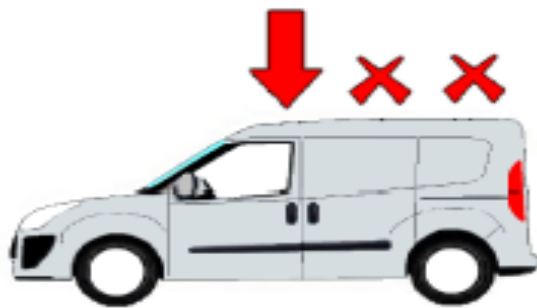


PHASE 2 – INSTALLATION

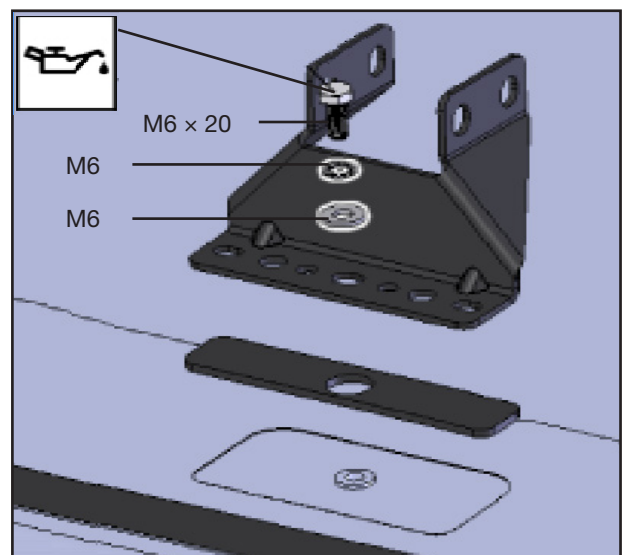
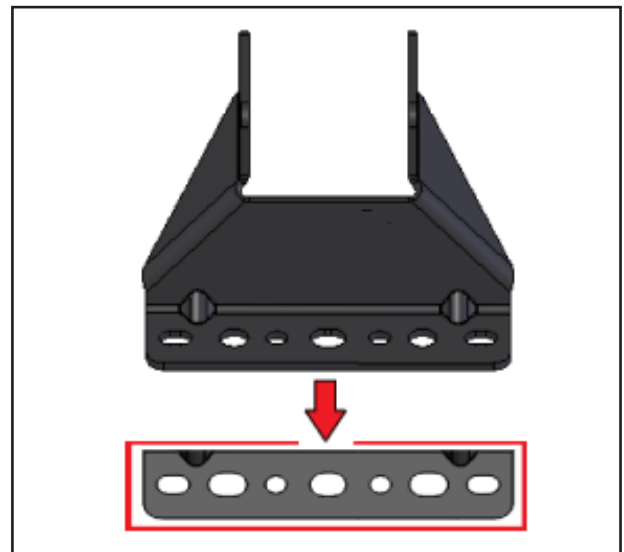
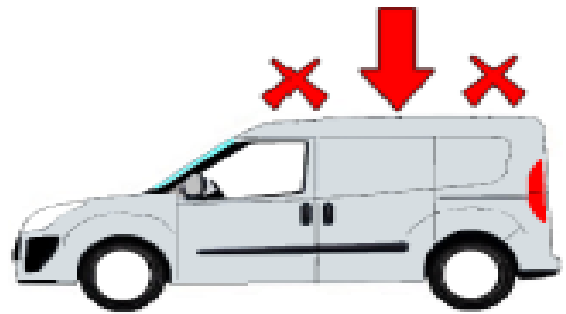
2.1 INSTALLATION

2.1.1 Install the feet.

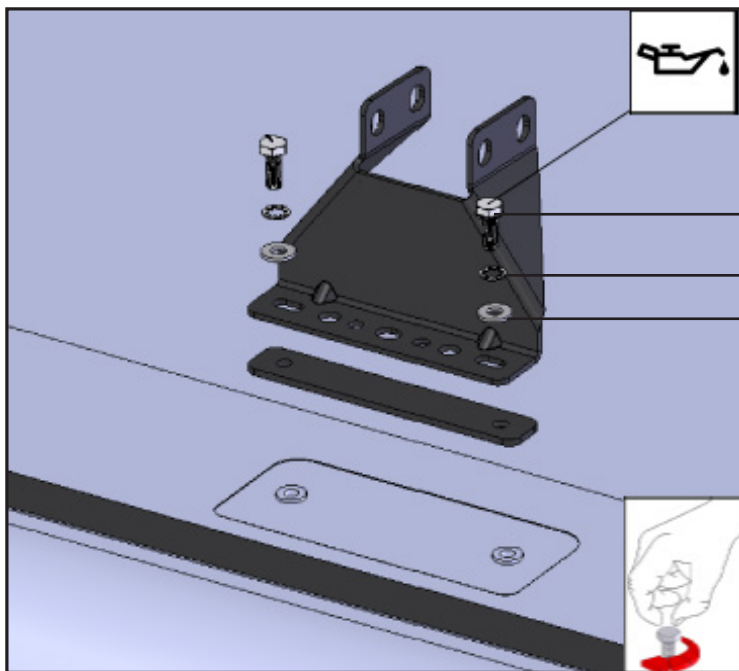
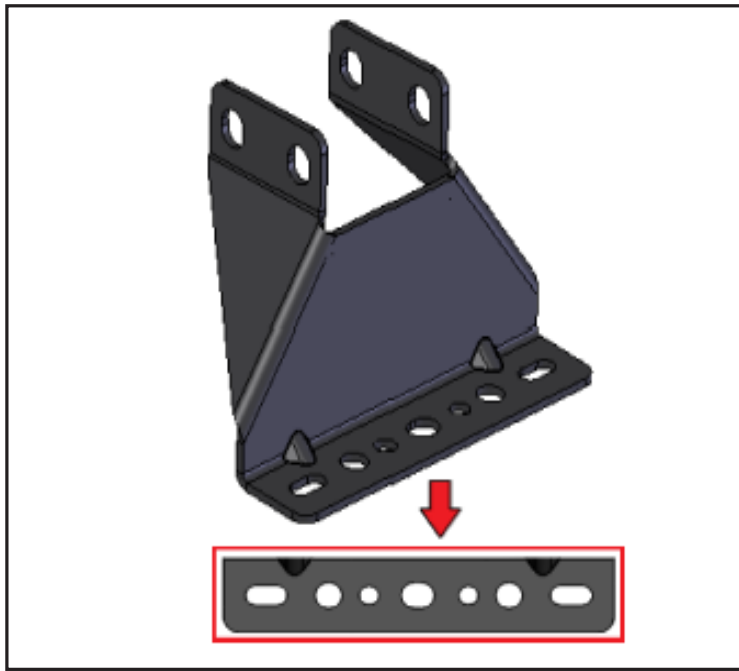
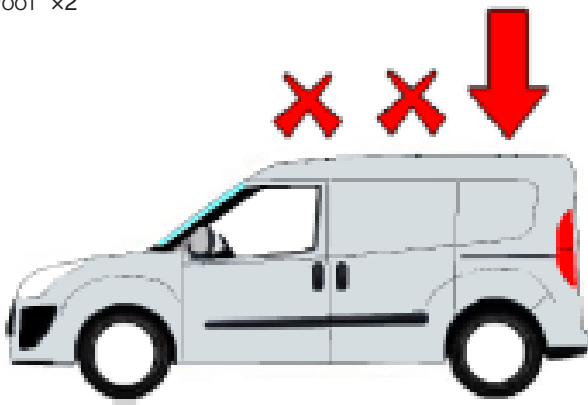
FRONT FOOT x2



CENTER FOOT x2



REAR FOOT x2

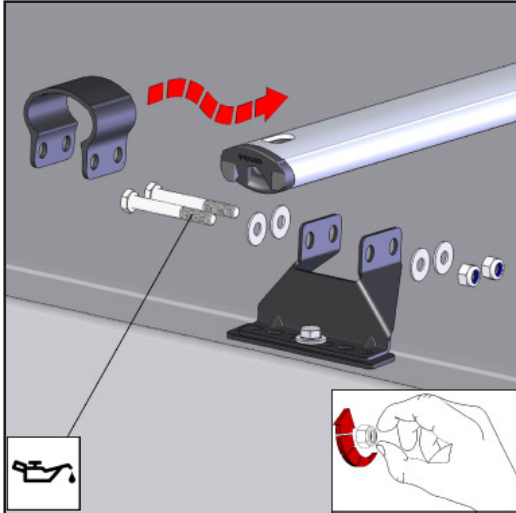


M6 x 30

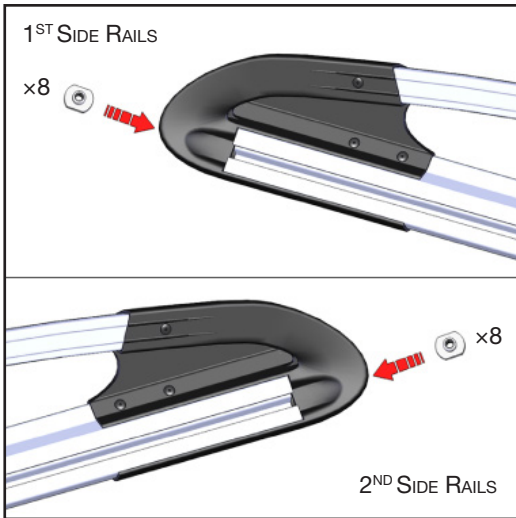
M6

M6

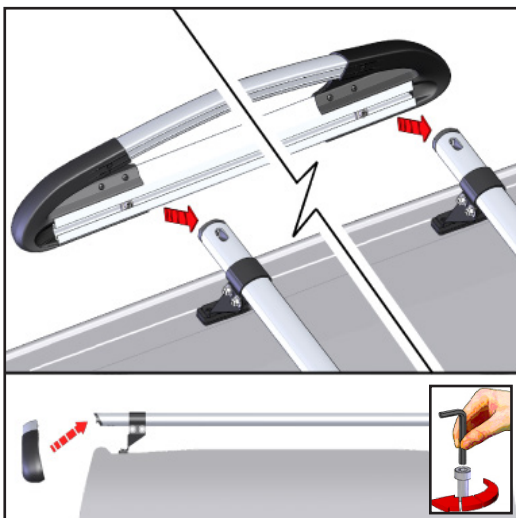
2.1.2 Install 3 bars in the feet.



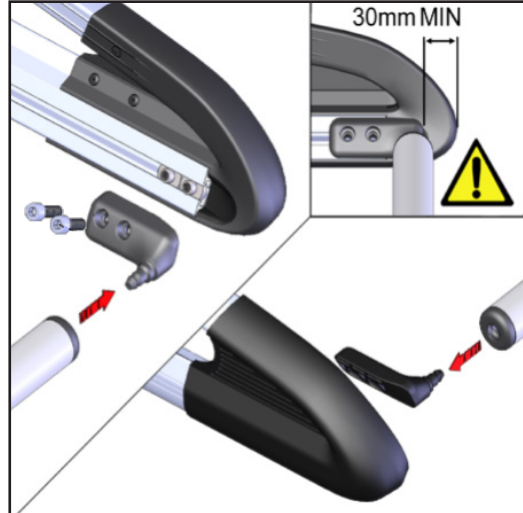
2.1.3 Slide 8pcs. of channel nuts in each side rails.



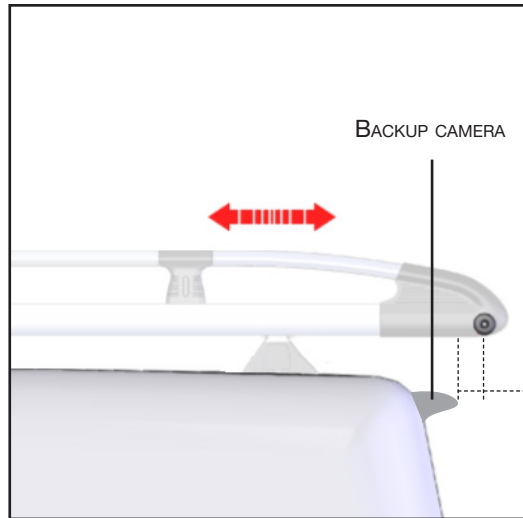
2.1.4 Attach the 2 side rails on both ends of the bar, using the 2nd, 4th & 6th Channel nuts from the front.



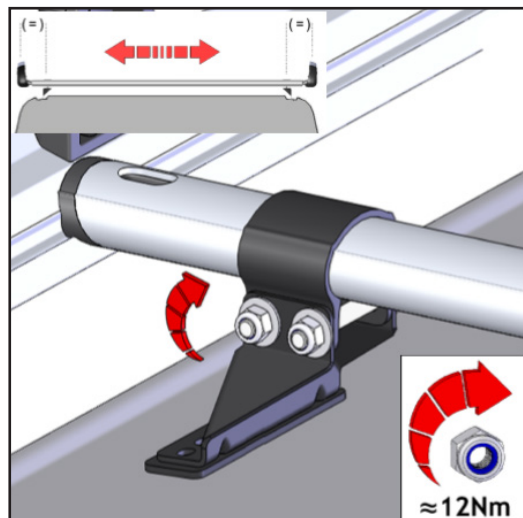
2.1.5 Attach the roller to the side rails using the 2 last channel nuts from the front.

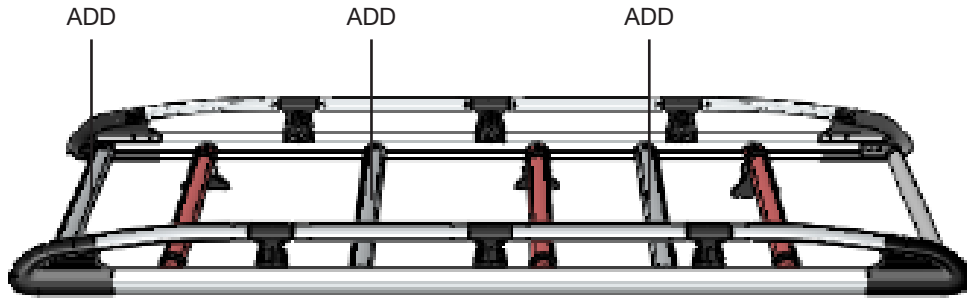


2.1.6 Slide the rack to the appropriate position.

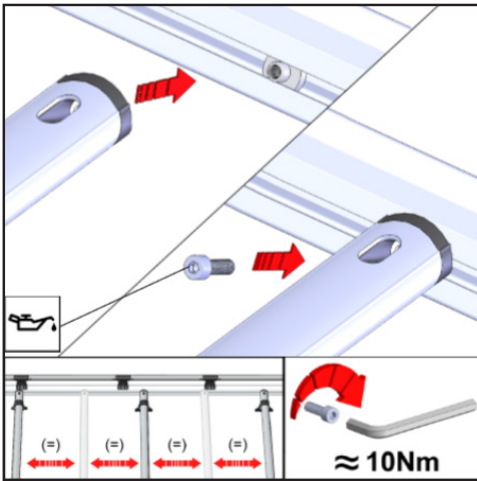


2.1.7 Center the bar on the vehicle.

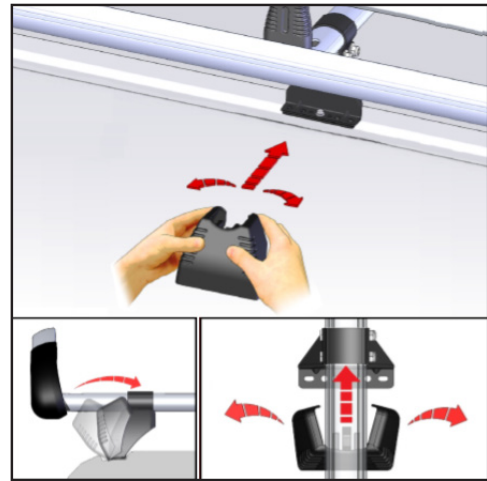




2.1.8 Attach the 3 bar.

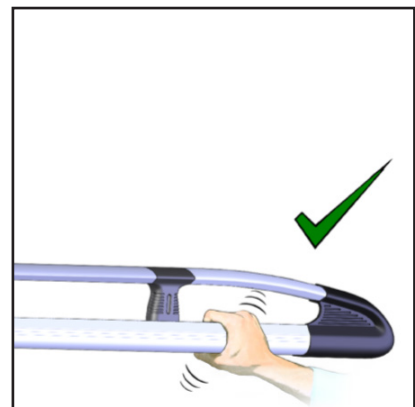
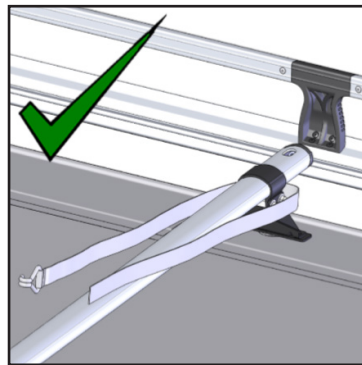
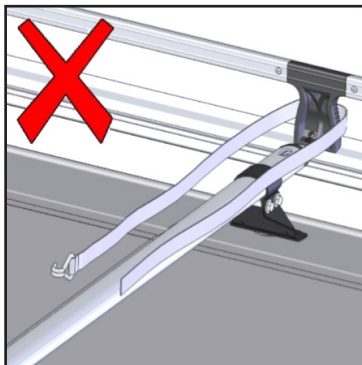
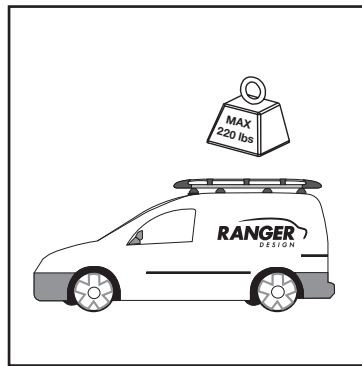
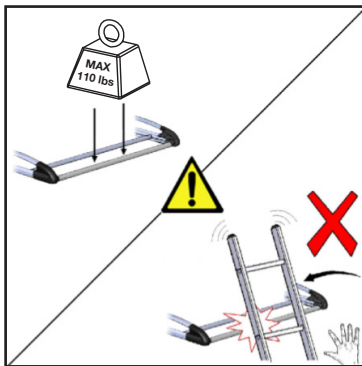


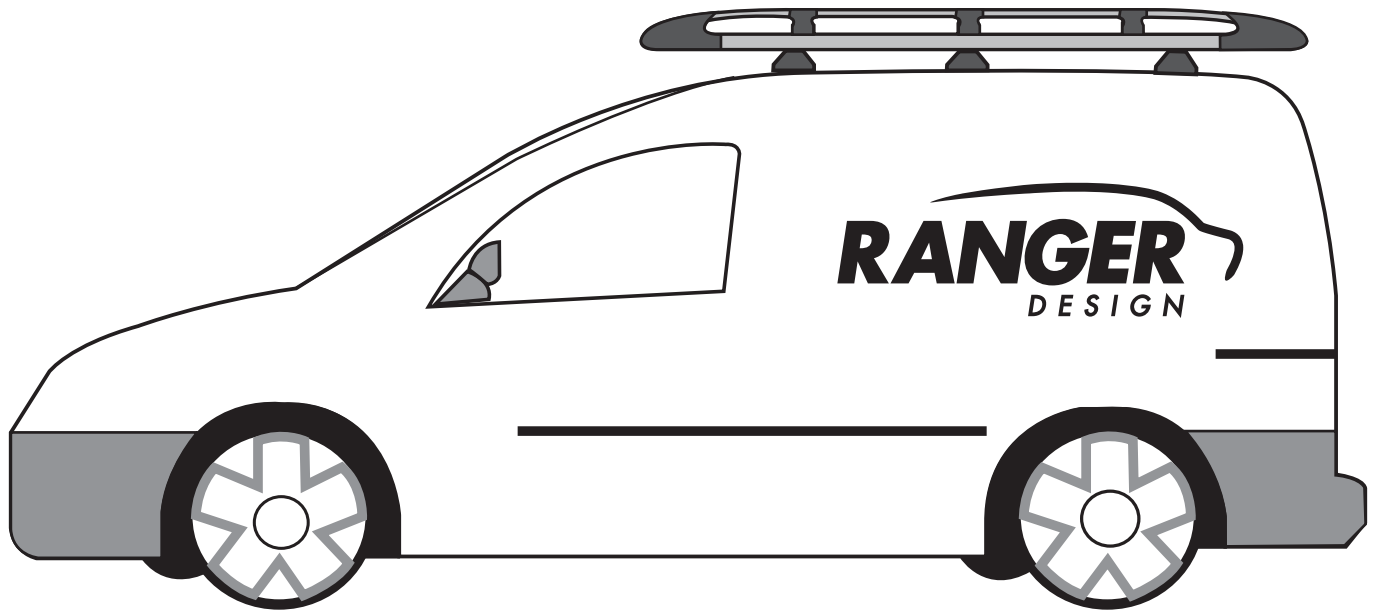
2.1.9 Attach the foot cowl to the foot.



PHASE 3 – TIPS

3.1 SAFETY TIPS





**“You have successfully installed your
1506-PC Cargo Plus**

Thank you for doing business with us.”

For any feedback or suggestions you may have, please contact: cs@rangerdesign.com

