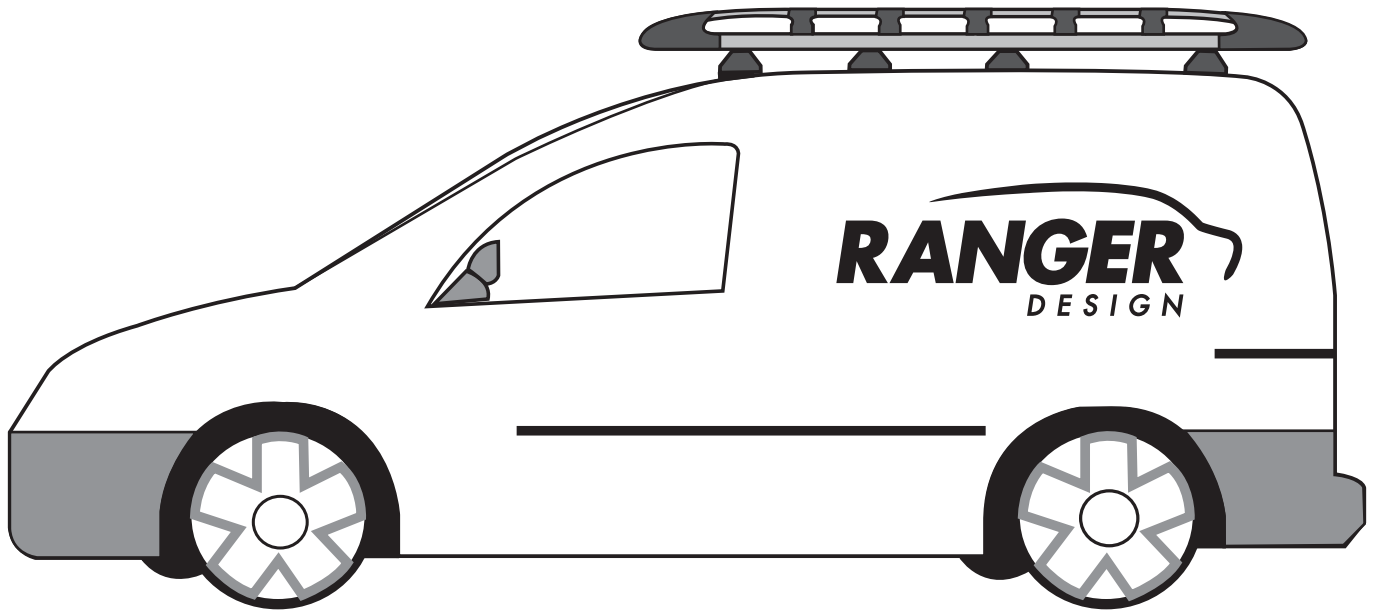


INSTALLATION GUIDE



1506-FTR Cargo Plus

Ford Transit 130" Wheelbase

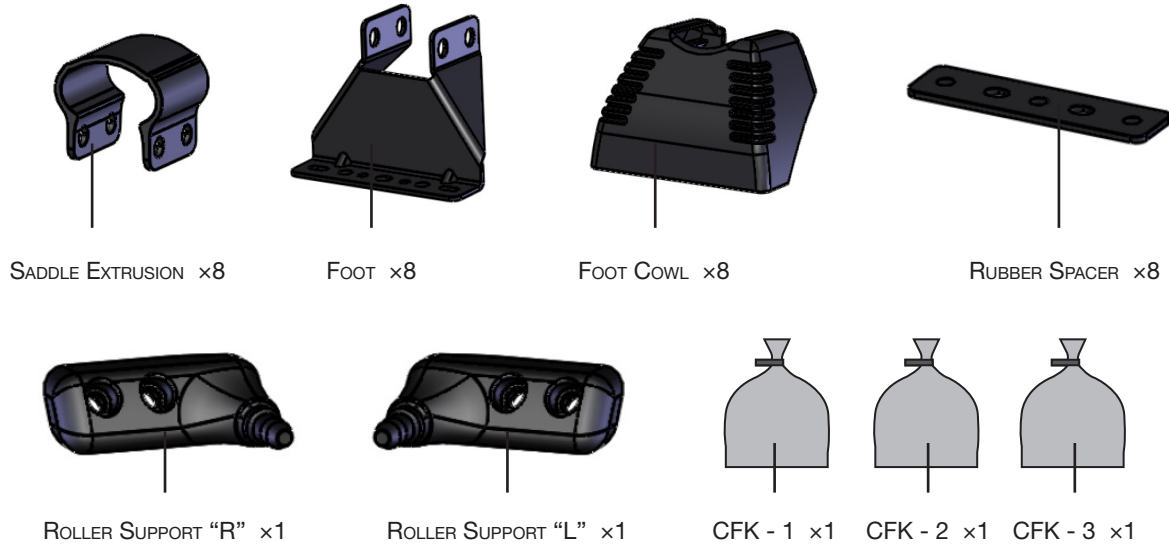


PHASE 1 – ASSEMBLY

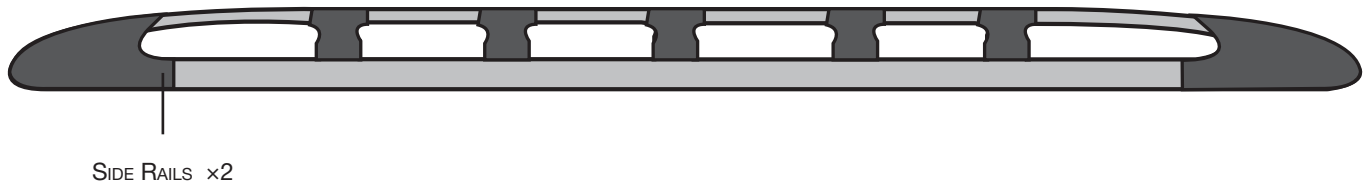
1.1 SETUP

1.1.2 Verify all parts are present.

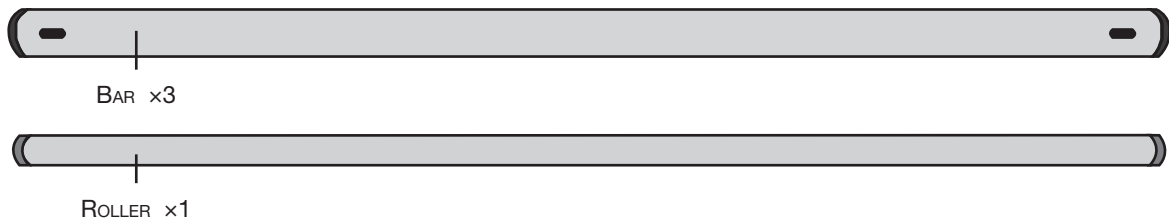
15-U4005 BOX



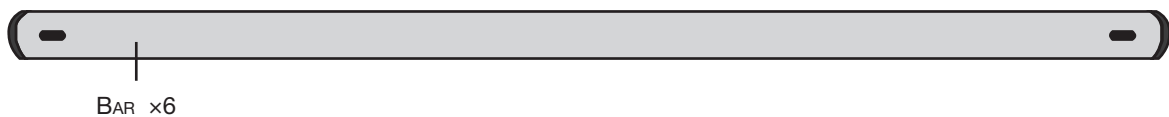
15-U1002 BOX



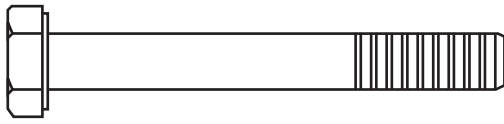
15-U3002 BOX



15-U2002 BOX



HARDWARE



(M8 x 65) x16



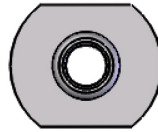
(M8 x 25) x8



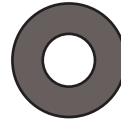
(M8) x28



(M8) x20



(M8) x22



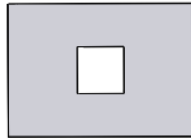
(M8) x40



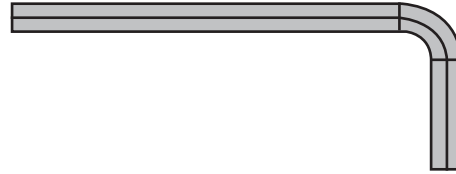
(M8) x8



(M8) x2

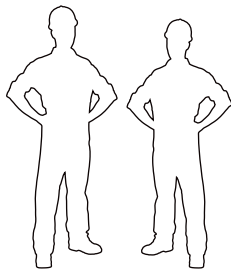


(M8) x2

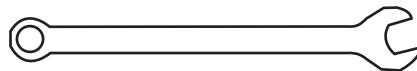


(M8) x1

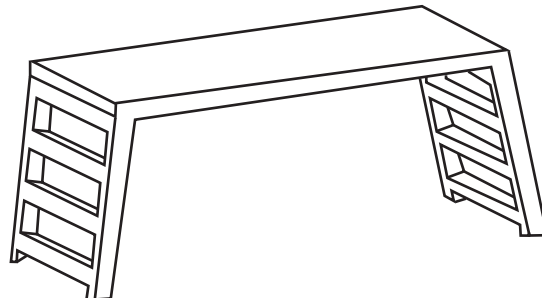
REQUIRED ITEMS



2
PERSONS



13mm x2

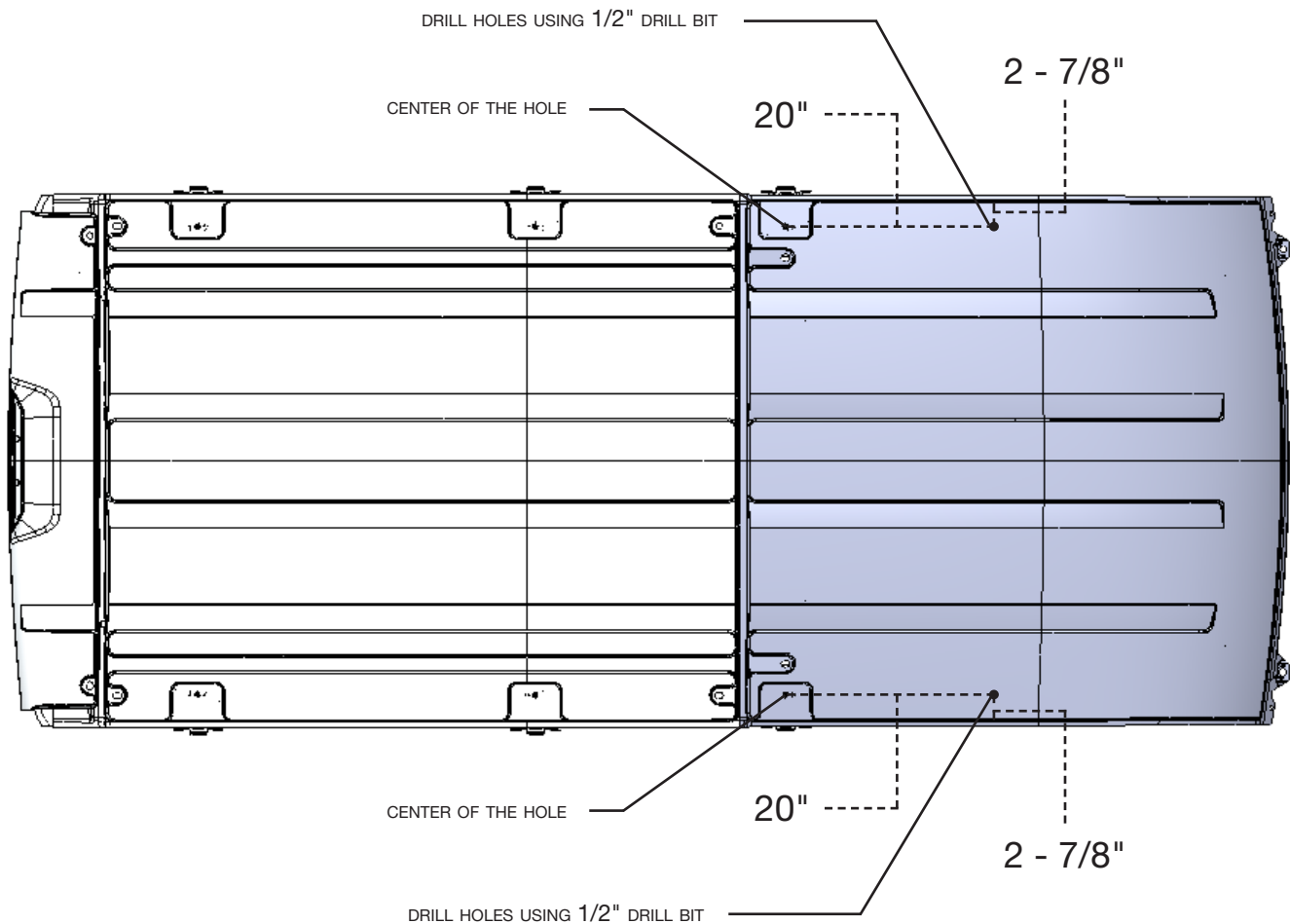
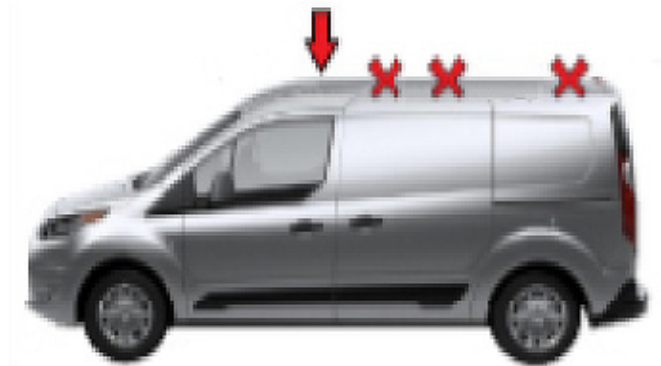


PHASE 2 – INSTALLATION

2.1 INSTALLATION

2.1.1 Drill holes on the front of the van for the front feet.

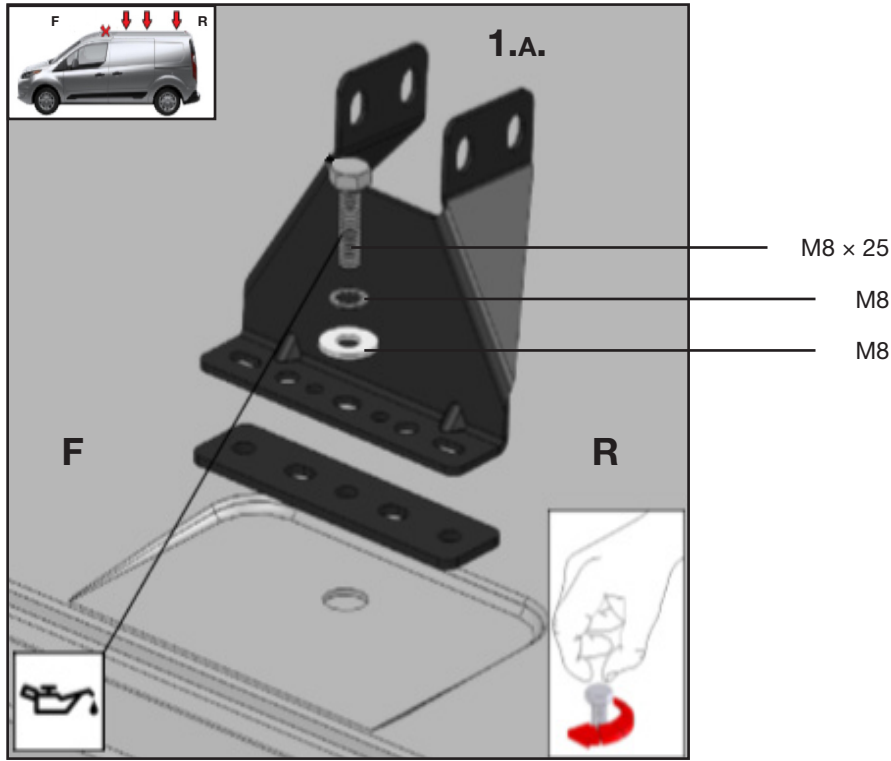
WARNING: Before drilling, ensure that you will not hit any critical parts of the vehicle like **Airbag**, **Gas tank**, **Wiring Harness** and **Hose**.



2.1.2 Install the feet.

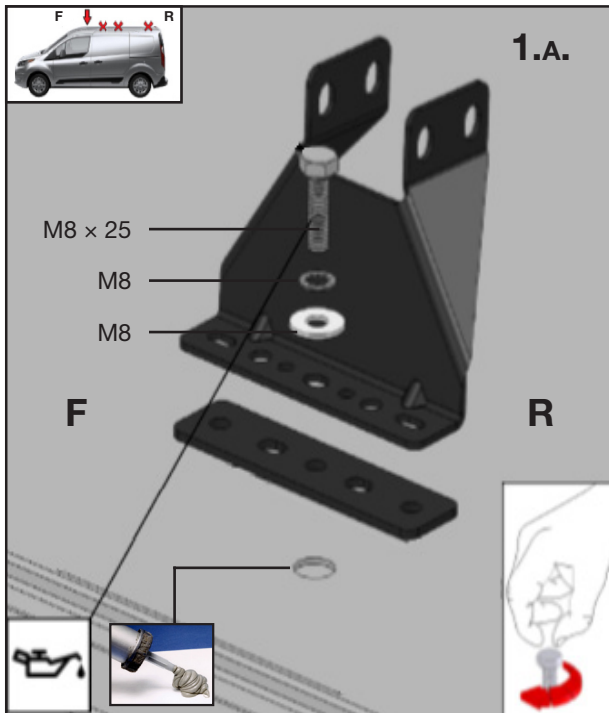
NOTE: Apply a bead of silicone a round each hole.

THREADED HOLES



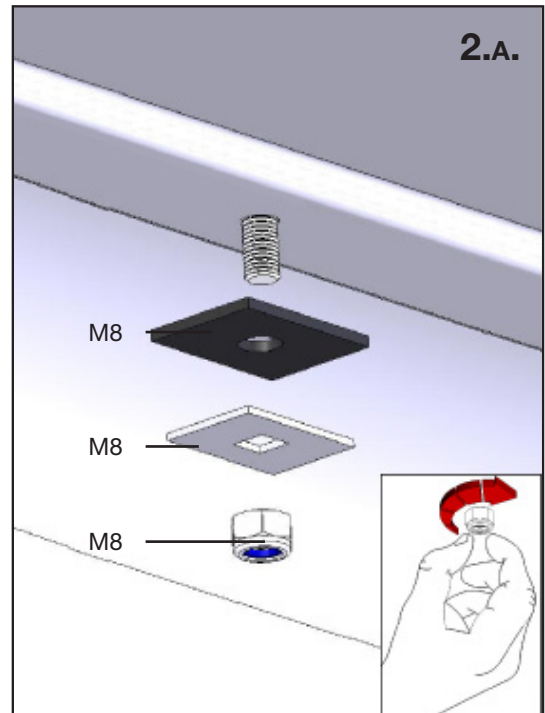
1/2" HOLES

ROOF

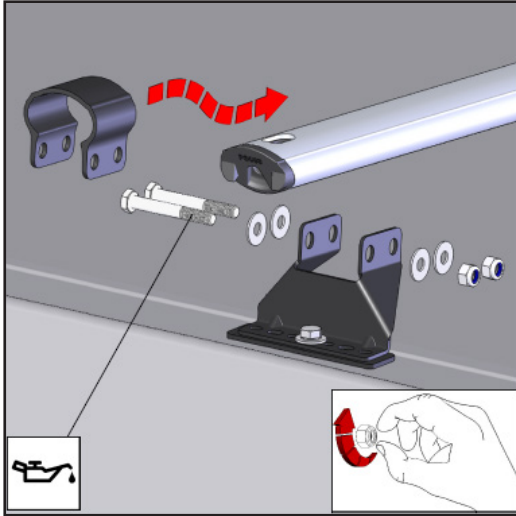


NOTE: Pull or remove the black foam to have access.

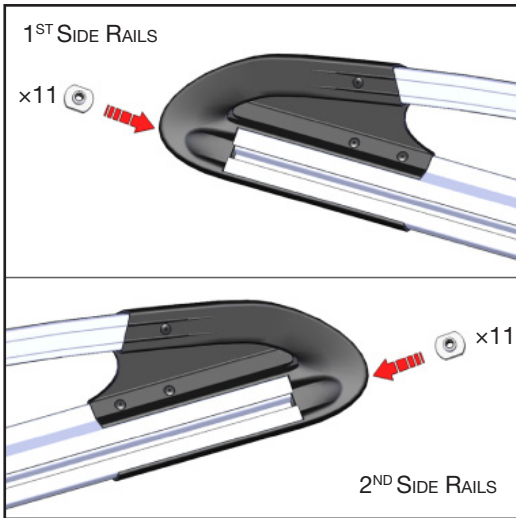
INSIDE



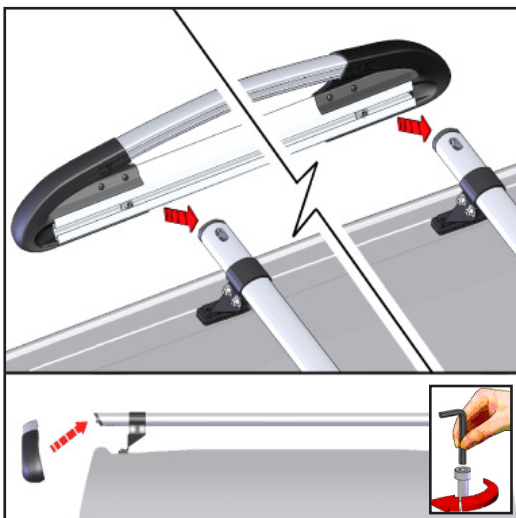
2.1.3 Install 4 bars in the feet.



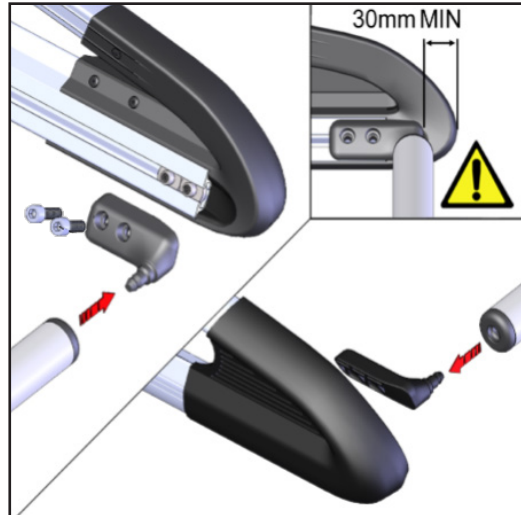
2.1.4 Slide 11 pcs. of channel nuts in each side rails.



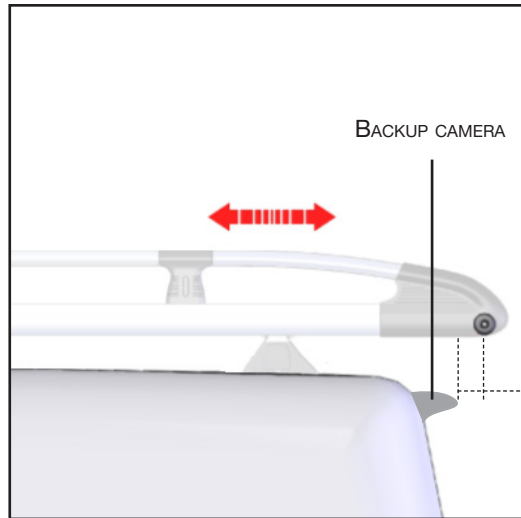
2.1.5 Attach the 2 side rails on both ends of the bar, using the 3rd, 5th, 7th & 8th Channel nuts from the front.



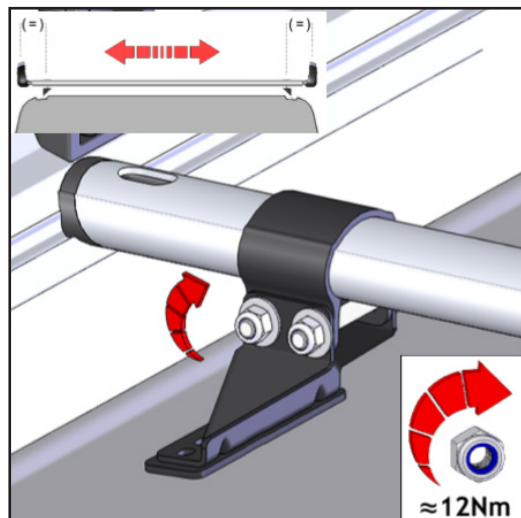
2.1.6 Attach the roller to the side rails using the 2 last channel nuts from the front.

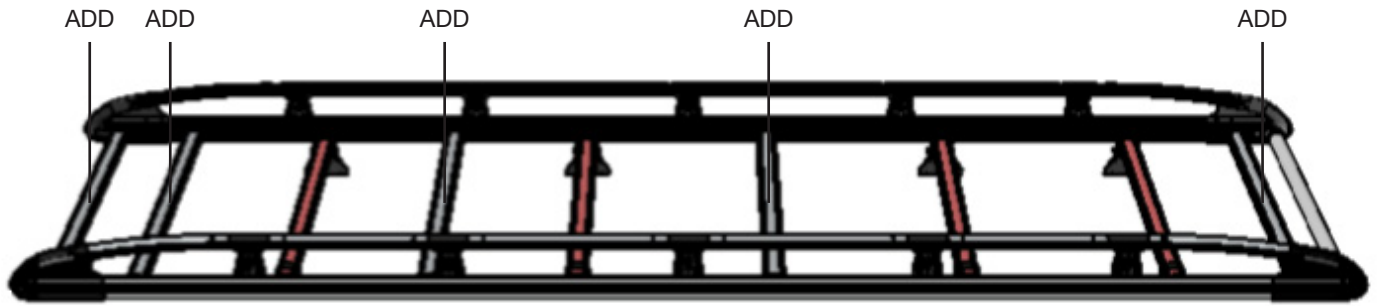


2.1.7 Slide the rack to the appropriate position.

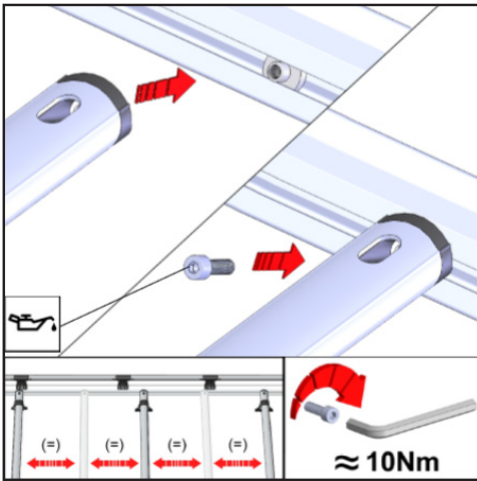


2.1.8 Center the bar on the vehicle.

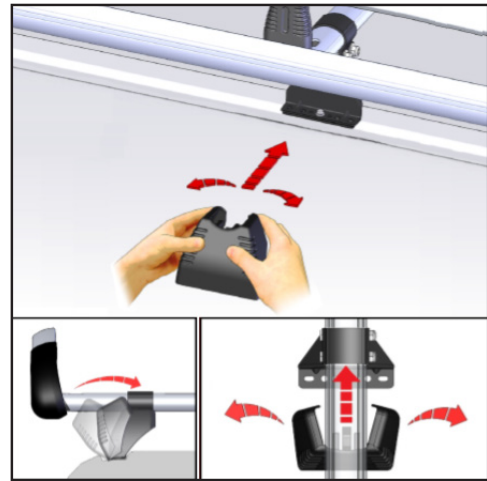




2.1.9 Attach the 5 bars.

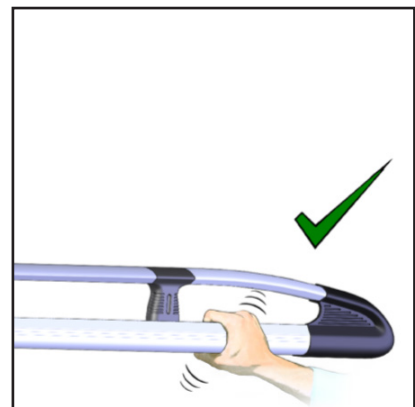
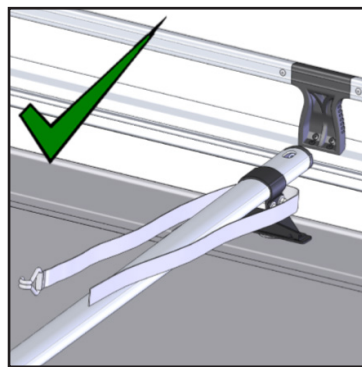
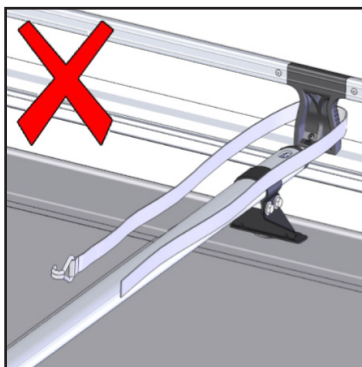
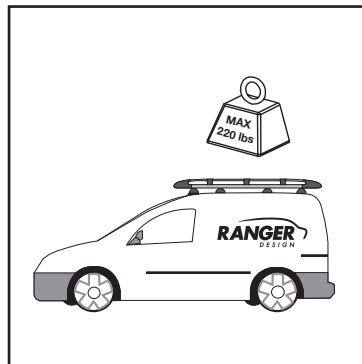
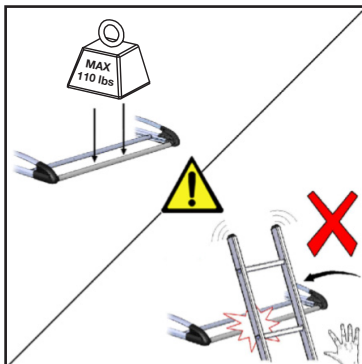


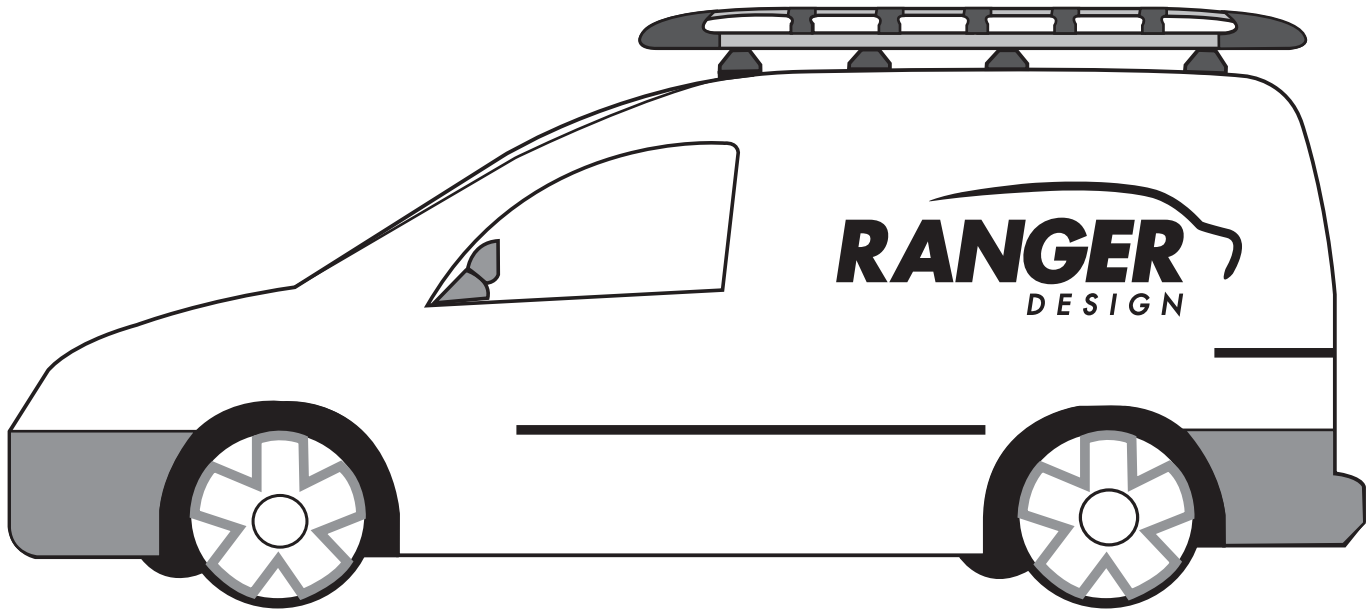
2.1.10 Attach the foot cowl to the foot.



PHASE 3 – TIPS

3.1 SAFETY TIPS





**“You have successfully installed your
1506-FTR Cargo Plus**

Thank you for doing business with us.”

For any feedback or suggestions you may have, please contact: cs@rangerdesign.com

