

FASTENER GROUPS LISTED BELOW ARE USED FOR ASSEMBLY AND INSTALLATION. **SOME ASSEMBLY DRILLING IS REQUIRED.** PARTITION INSTRUCTIONS & FASTENERS ARE WITH THAT UNIT. USE KD UNIT DRAWINGS TO IDENTIFY THEIR SEPARATE PARTS. CUSTOMER SPECIFIED SHELF DIMENSIONS ARE SHOWN HERE.

| SYM. | FASTENERS | QTY | DRILL |
|------|-----------|-----|-------|
|------|-----------|-----|-------|

ASSEMBLY FASTENERS

| | | | |
|---|----------------------------|------|--------|
| ⊖ | { #14 x 3/4 THP. SCW. | (14) | } 3/16 |
| ⊖ | { 1/4 EXT. TOOTH L'WASHER | (14) | } } |
| ● | { 1/4-20 x 1/2" THP SCW. | (24) | } 9/32 |
| ● | { 1/4-20 HX. FLANGE NUT | (24) | } } |
| ● | { 1/4-20 x 3/4" HX.HD.SCW. | (2) | } 9/32 |
| ● | { 1/4-20 HX. FLANGE NUT | (4) | } } |
| ● | { 1/4-20 x 3/8" THP.SCW. | (4) | } 9/32 |
| ● | { 1/4 EXT. TOOTH L'WASHER | (4) | } } |

INSTALLATION FASTENERS

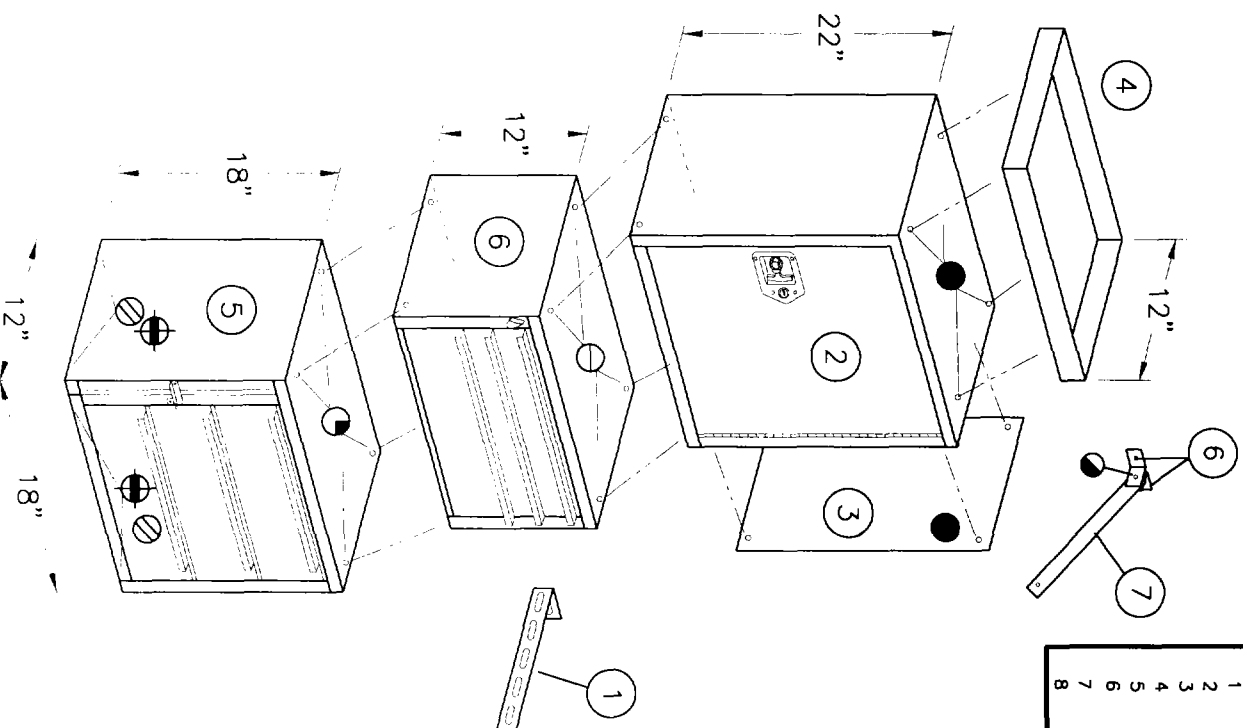
| | | | |
|---|------------------------------|-----|---------|
| ⊖ | { 1/4-20 PLUSNUT "PB" | (2) | } 3/8 |
| ⊖ | { 1/4-20 x 1" HH.SCW.FT | (2) | } } |
| ⊖ | { 1/4 PLN WASH | (2) | } } |
| ⊖ | { 1/4 SPLIT RING L'WASHER | (2) | } } |
| ⊖ | { 5/16-18 PLUSNUT "PB" | (3) | } 1/2 |
| ⊖ | { 5/16-18 x 1-1/2" HH.SCW.FT | (3) | } } |
| ⊖ | { 5/16 PLN WASH | (3) | } } |
| ⊖ | { 5/16 SPLIT RING L'WASHER | (3) | } } |
| ⊖ | { 5/16 PLN WASHER | (6) | } } |
| ⊖ | { 5/16-18 HX.STOP NUT | (3) | } 11/32 |
| ⊖ | { 5/16-18 x 1-1/2" HH.SCW.FT | (3) | } } |
| ⊖ | { 1/2 PLN. WASHER | (3) | } } |
| ⊖ | { 22200 PLUSNUT TOOL N/C | (1) | } } |



ADRIAN STEEL CO.
906 JAMES STREET
ADRIAN, MI 49221
517/265-6194

MD603 DWR/CAB MOD

| ITEM | PART NO. | DESCRIPTION | QTY. |
|------|----------|---------------------------|------|
| 1 | 10388-1 | MOUNT BRACKET W/O FAS | 1 |
| 2 | 12 | CABINET 12x22x18 | 1 |
| 3 | 12A | END. #12 & KD 11x21 | 1 |
| 4 | 4B | PARTS TRAY 2x12x18 | 1 |
| 5 | 8 | 3-DRAWER MEDIUM | 1 |
| 6 | 919 | 3-DRAWER COMBO | 1 |
| 7 | MB118 | MOUNT ANGLE 1-1/2" / GALV | 2 |
| 8 | MB120 | STRAP BRKT.13-1/2" / GALV | 1 |



CAUTION:
DRILL THRU FLOOR WITH CARE
WATCH FOR GAS TANK, CONTROL
LINES, & ELECTRICAL WIRING.

FASTENING PROCEDURES

1. USE NUT & BOLT THRU WHEREVER POSSIBLE.
2. USE PLUSNUTS FOR BLIND FASTENING.
3. USE SHEET METAL SCREWS IN SHEAR ONLY.

A-MD603