



TRUCK STORAGE SOLUTIONS  
SECURING YOUR REPUTATION

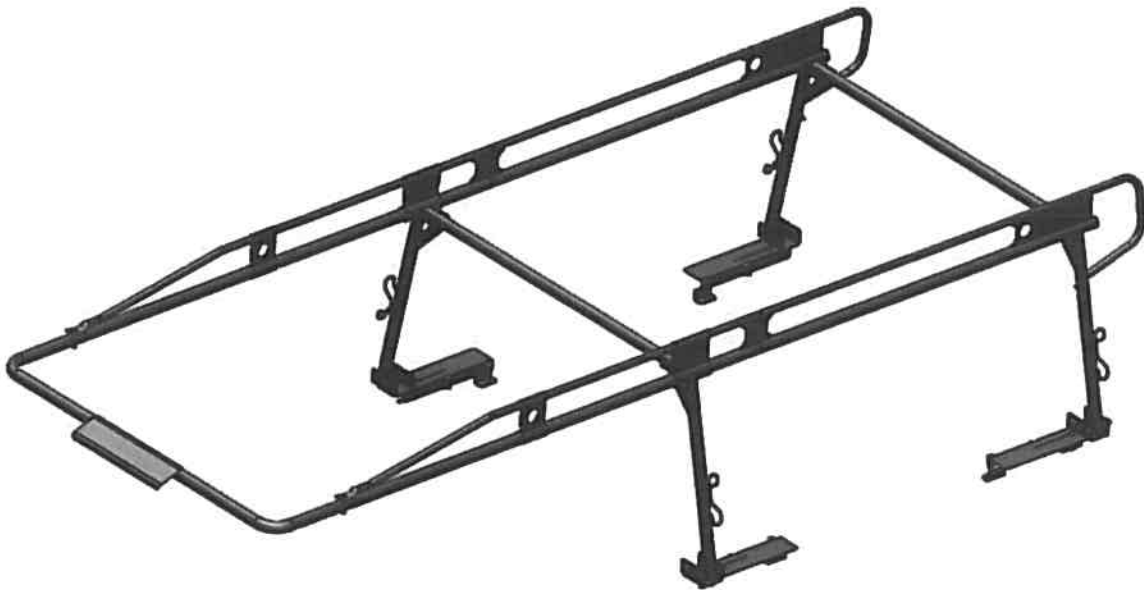
# INSTALLATION MANUAL

## FULL-SIZE TRUCK RACK

ATTENTION: PLEASE READ AND UNDERSTAND ALL INSTRUCTIONS AND WARNINGS BEFORE ASSEMBLING, INSTALLING OR USING THIS PRODUCT.

**MODEL** 1275-52-02 Full Size Steel Truck Rack (1,000 lb. Rating)

**Note:** X represents the color code for your model: 0 = Clear | 3 = White | 5 = Black | 52 = Matte Black



### ⚠ NOTICE

There may be left over components depending on up-fit. Any modification or unintended use of this product shall immediately void all manufacturer's warranties. Manufacturer disclaims all liability for injuries to persons or property resulting from any modification to, or unintended use of this product.

### ⚠ DANGER

Danger of explosion. Do not use this product for storing or transporting flammables, explosives, hazardous materials, or hazardous waste, such as containers of gasoline, solvents, gun powder, dynamite, propane tanks, acetylene tanks and cutting torches.

### ⚠ CAUTION

To keep debris out of your eyes when checking the underside of the vehicle, or when drilling, always wear protective eyewear. Never load your rack to exceed the safe rated capacity of your vehicle. Heavy loads carried high can dangerously alter the center of gravity.





















### ⚠ WARNING

Always place and tightly secure ladder on rack with a sufficient barrier (tape/padding) between the ladder and rack. Failure to properly secure the ladder on the rack while in transit could cause damage leading to structural collapse of the ladder and potential injury or death. This product is only intended for, and only safe for, transporting ladders, lumber, pipe and other similar materials. It is the responsibility of the user to secure these materials to the rack before transporting. Any modifications made to this product, or use of this product for any other purpose than its intended use, could create a hazardous condition that can cause serious personal injury or property damage. This product is only intended and safe for use in storing and transporting small tools, equipment and other similar materials. Any modifications made to, or unintended use of this product, could create a hazardous condition that can cause death, serious personal injury or property damage.

## TOOLS REQUIRED

- Rubber Hammer
- Utility Knife
- Allen Key (1/8", 7/32", 5/16")
- Open End Wrench (9/16", 3/4")

## PARTS LIST

<p><b>A</b></p>  <p>(4) 1/2-13 x 3" Bolt</p>	<p><b>B</b></p>  <p>(4) 1/2-13 x 4" Bolt</p>	<p><b>C</b></p>  <p>(12) 3/8-16 x 2-1/2" Bolt</p>	<p><b>D</b></p>  <p>(18) 3/8-16 x 1" Bolt</p>	<p><b>E</b></p>  <p>(4) No Drill Bracket</p>
<p><b>F</b></p>  <p>(26) 3/8-16 Nylock Nut</p>	<p><b>G</b></p>  <p>(4) 1/2-13 Nylock Nut</p>	<p><b>H</b></p>  <p>(2) 3/8" Locking Pin</p>	<p><b>I</b></p>  <p>(4) Plug</p>	<p><b>J</b></p>  <p>(4) Stake Pocket Bracket</p>
<p><b>K</b></p>  <p>(12) 1/2" Flat Washer</p>	<p><b>L</b></p>  <p>(26) 3/8" Flat Washer</p>	<p><b>M</b></p>  <p>(4) 3/8" Split Washer</p>	<p><b>N</b></p>  <p>Silicone</p>	<p><b>P</b></p>  <p>(4) 1/4-20 Set Screw</p>
<p><b>Q</b></p>  <p>(6) End Cap</p>	<p><b>R</b></p>  <p>(2) 1/2-13 x 1" Bolt</p>	<p><b>S</b></p>  <p>(6) 1/2" Split Washer</p>	<p><b>T</b></p>  <p>1/2" Fender Washer</p>	<p><b>U</b></p>  <p>(2) Stake Pocket Side Mount</p>

### Assembly Recommendation:

- 1) If user plans on carrying ladders, it is recommended to reverse the carriage bolts to have the bolt head on the inside of the rack.
- 2) Before applying protective strip, make sure cross members are clean and clear of any debris.

## RACK ASSEMBLY

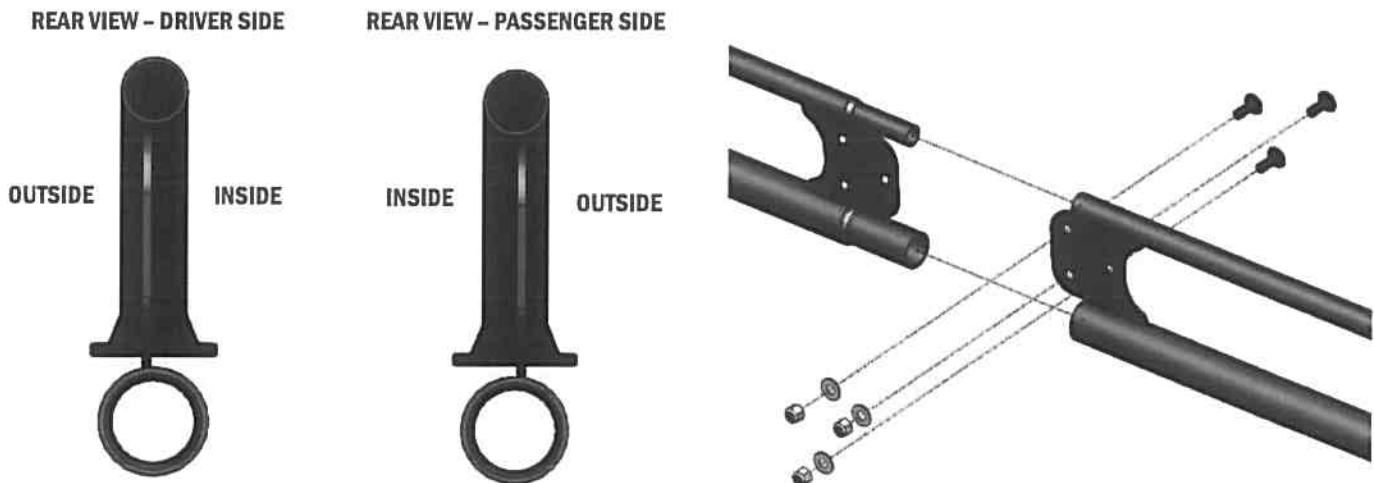
### STEP 1 Silicone Application:

Apply a minimum of 2 beads of silicone (Part N) around all swages. If there is a hole, silicone should be applied on either side of the hole. Silicone should also be applied around the outer hole surfaces where the bolt and the washer touch the tube.

### STEP 2 Install End Caps (Part Q) onto both cross members and rear arms.



**STEP 3** Identify the driver side and passenger side front arms by locating the biased side joint plate. The driver side front arm joint plate will be biased to the left (driver side) with the weld also on the left side. Attach the driver side rear arm to the front arm using (3) Part D, (3) Part L, and (3) Part F.



**STEP 4** Install the rear leg, with the tie down facing the outside using (1) Part C, (1) Part L, and (1) Part F. The outside plate will have the Weather Guard® logo.

REAR DRIVER'S SIDE ASSEMBLY

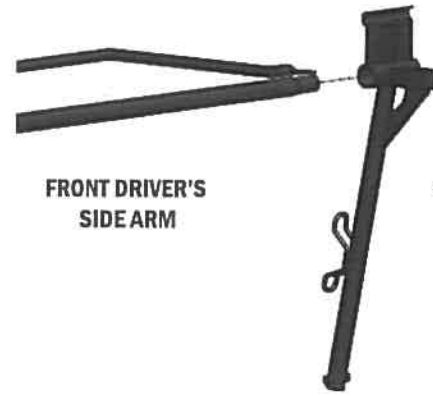


REAR LEG

**INSTALLATION TIP:**

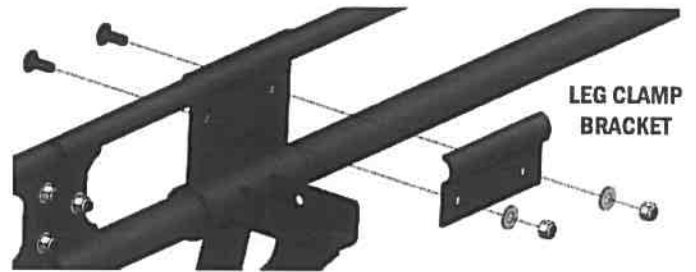
Loosely install legs to the plates that attach to the front and rear side members to make installation of the Cross Member easier.

**STEP 5** Install the front leg to the driver side arm assembly by sliding the leg guide tube over the lower tube while making sure the plate is on the outside of the assembly and the c-channel and gusset are on the inside of the assembly. Loosely secure the front leg using the leg clamp bracket with (2) Part D, (2) Part L, and (2) Part F. Loosely install set screws (Part P).



FRONT DRIVER'S SIDE ARM

FRONT DRIVER'S SIDE LEG

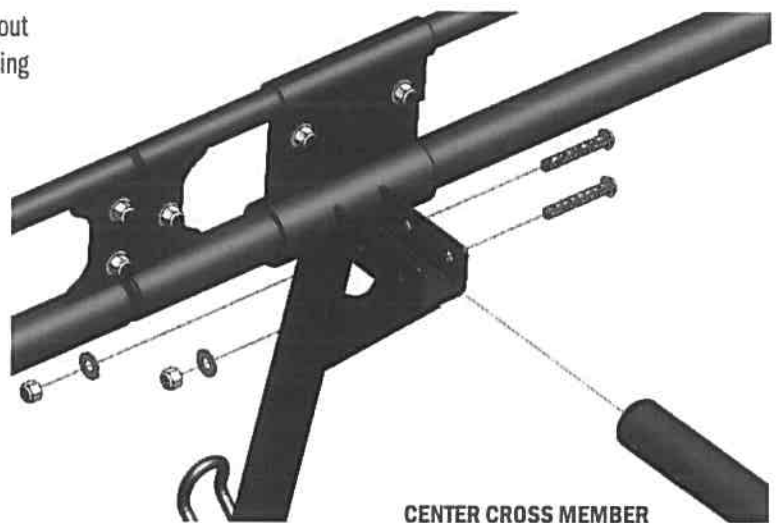


LEG CLAMP BRACKET

**STEP 6** Repeat steps 3 - 5 for the passenger side.

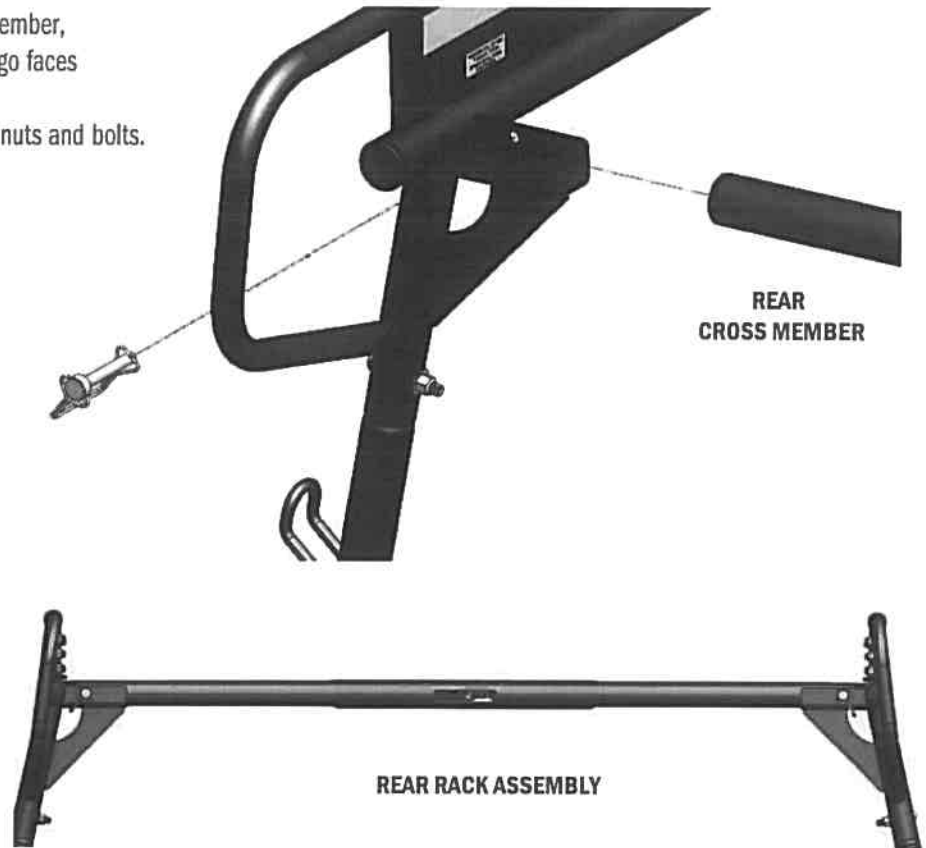
**STEP 7** Install center cross member, the cross member without the Weather Guard® logo, to one of the front legs using (2) Part C, (2) Part L, and (2) Part F.

Tilt the assembly up and balance the assembly on the legs while installing to the opposite front leg using (2) Part C, (2) Part L, and (2) Part F.

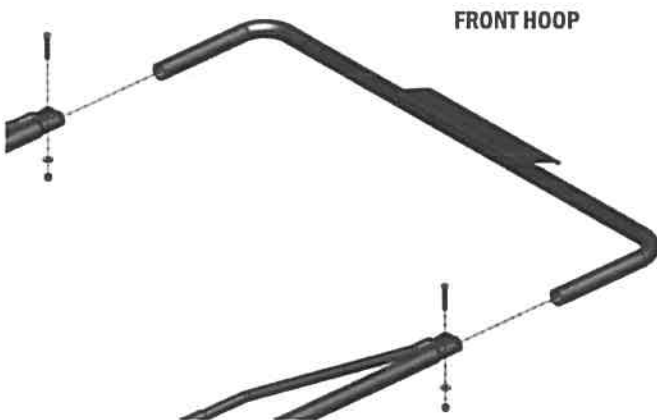


CENTER CROSS MEMBER

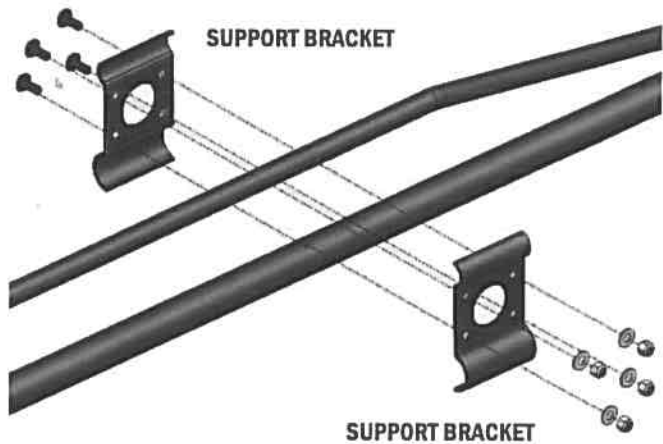
**STEP 8** Repeat step 6 with the rear cross member, making sure the Weather Guard® logo faces upright and towards the tailgate. Use locking pins (Part H) instead of nuts and bolts.



**STEP 9** Install front hoop, making sure the air foil is pointing downward. On each side, use (1) Part C, (1) Part L, (1) Part F to install the hoop to the front assemblies.

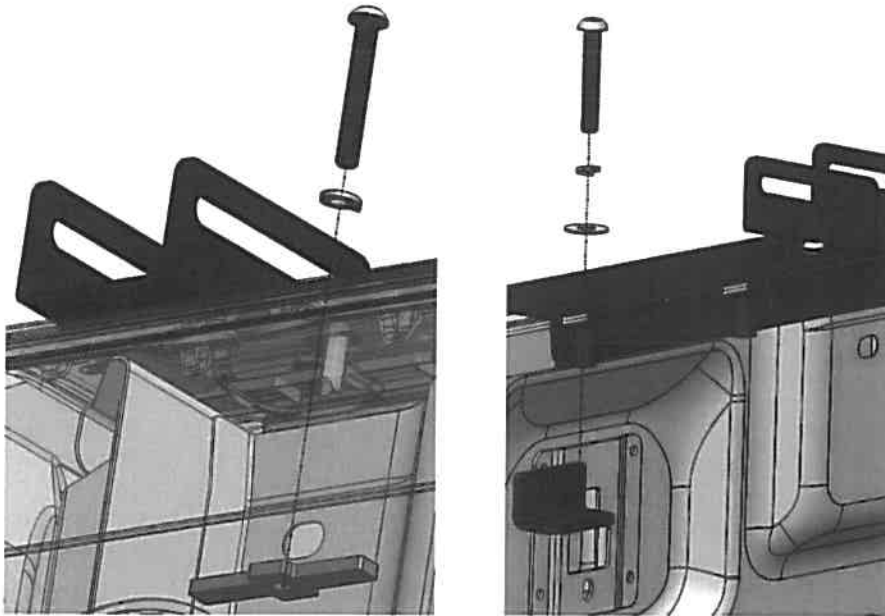


**STEP 10** Install support brackets if the truck is less than 8' using (4) Part D, (4) Part L, and (4) Part F on each side. This will be installed within 1 inch of the bend on the driver side and passenger side front arms.



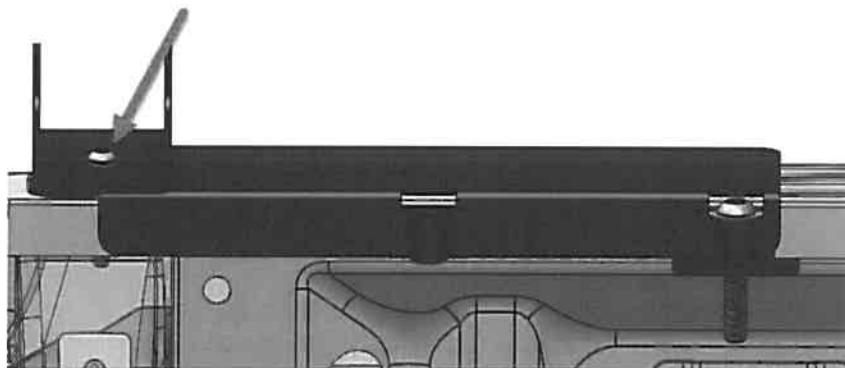
# RACK INSTALLATION

**STEP 11** Install the front (cab side) mounting feet to the truck bed. Place the mounting foot onto the truck bed placing the foot as far forward as possible. Find the most appropriate hole that aligns with the center of the stake pocket. Insert the hardware, using (1) Part J, (1) Part C, and (1) Part M, into the stake pocket and thread the stake pocket bracket (Part J) to the end of the bolt. Insert the stake pocket bracket into the stake pocket by tilting the foot assembly and inserting the bracket diagonally into the stake pocket. Loosely tighten the stake pocket bracket then install the no drill mount bracket (Part E) to the rear most mounting foot clamp insert hole using (1) Part A, (1) Part K, and (1) Part E. Tighten hardware, making sure mounting foot is secured to the bed rail.



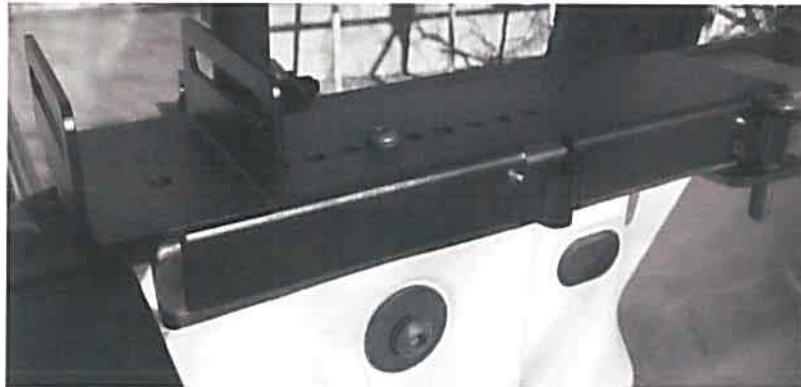
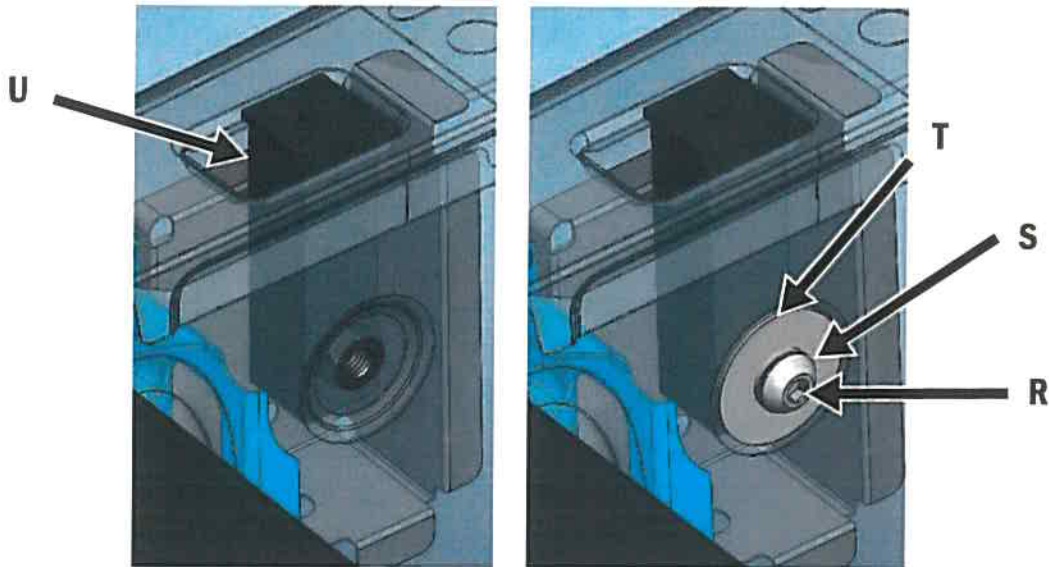
**NOTE:** The front driver side foot is the same as the rear passenger side foot. The front passenger side foot is the same as the rear driver side foot.

**STEP 12** Install rear (tailgate side) mounting feet to the truck bed. It is recommended to use the single center hole in the mounting pad for securing the rear feet when possible. (If the vehicle is a 2016 or newer Chevrolet/GMC truck refer to Step 13). Insert the hardware, using (1) Part J, (1) Part C, and (1) Part M, into the stake pocket and thread the stake pocket bracket (Part J) to the end of the bolt. Insert the stake pocket bracket into the stake pocket by tilting the foot assembly and inserting the bracket diagonally into the stake pocket. Loosely tighten the stake pocket bracket then install the no drill mount bracket (Part E) to the front most mounting foot clamp insert hole using (1) Part A, (1) Part K, and (1) Part E. Tighten hardware, making sure mounting foot is secured to the bed rail.



**STEP 13 2016 or Newer Chevrolet/GMC Trucks Only**

Use the stake pocket side mount in the rear stake pockets only. This will mount in the stake pocket via the side hole. This will also replace the stake pocket bracket for the rear. Install the no-drill mounting bracket (Part U) to the rear most mounting hole using (1) Part R, (1) Part S, and (1) Part T. Tighten hardware, making sure mounting foot is secured to the bed rail. Repeat on opposite rear stake pocket.



**STEP 14** Apply the rubber protective strip to the top of each of the cross members.

**STEP 15** Insert all 8 plastic plugs (Part I) into the holes of the front legs.

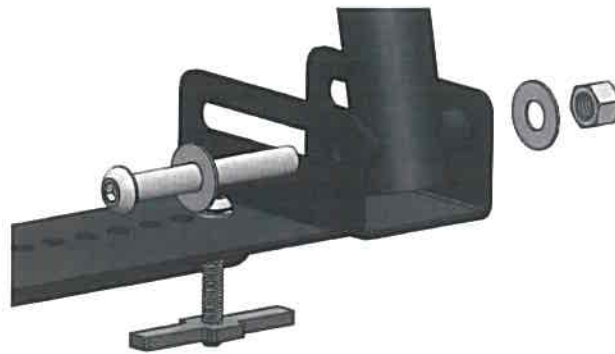




**STEP 16** Measure the distance from center to center of mounting foot bed and set the rack assembly accordingly. Tighten all hardware with a 3/8"-16 button head to a 15 ft-lb torque and tighten all other hardware to a 25 ft-lb torque except the front legs hardware. (DO NOT TIGHTEN THE SET SCREWS ON THE FRONT LEGS).



**STEP 17** Install rack onto truck using (1) Part B, (2) Part K, and (1) Part G for each leg. Mounting hardware is to be torqued to 25 ft-lb torque. Prior to tightening rear make sure pins on rear cross member can be removed.



## SAFETY

- 1) When securing loads, make sure the appropriately rated straps are being used.
- 2) Material should be secured using the available tie down points for the rear and center cross members, as well as the front cross member when applicable.
- 3) Loads should always be distributed evenly (1,000 lbs. max) over the width and length of the truck rack.
- 4) Never overload the rack with material greater than the rack's rating (1,000 lbs.)