

SOME ASSEMBLY DRILLING IS REQUIRED.  
 FASTENERS: CITY SHELL

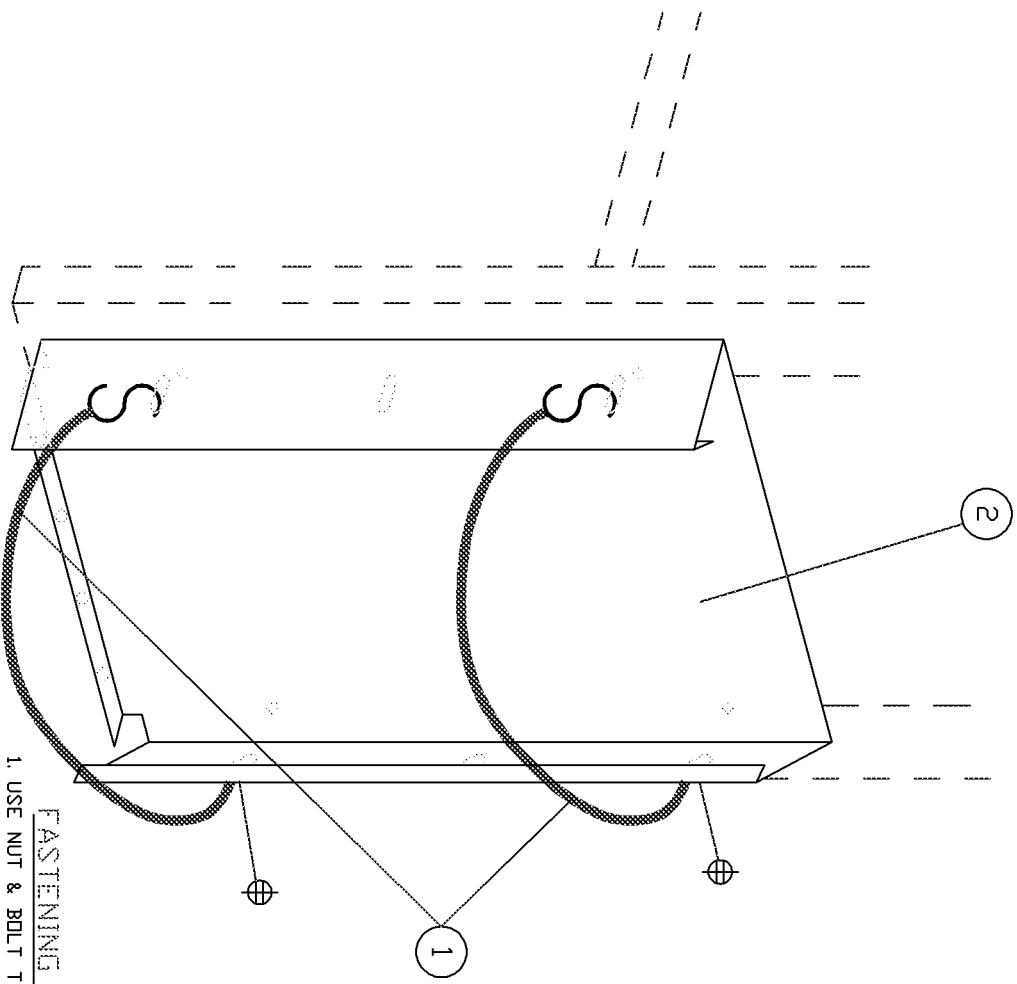
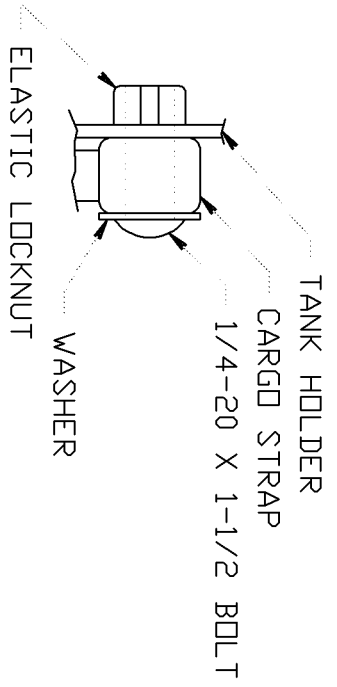
ASSEMBLY FASTENERS  
 1/4-20 x 1-1/2" THP SCW FT (2) 9/32  
 1/4-20 PLAIN FLAT WASHER (2)  
 1/4-20 ELASTIC LOCKNUT (2)

**AS**  
 ADRIAN STEEL CO.  
 906 JAMES STREET  
 ADRIAN, MI 49221  
 517/265-6194

TH30  
 30 LB. TANK HOLDER

ITEM	PART NO.	DESCRIPTION	QTY.
1	CS15	15" CARGO STRAP W/HOOKS	2
2	14738	TANK HOLDER	1

TANK HOLDER IS MOST GENERALLY MOUNTED UP AGAINST A SHELF RACK OR A CABINET FOR SUPPORT.



**FASTENING PROCEDURES**

1. USE NUT & BOLT THRU WHEREVER POSSIBLE.
2. USE PLUSNUTS FOR BLIND FASTENING.
3. AS A LAST RESORT USE SHEET METAL SCREWS.

A- TH30

**CAUTION:**  
 DRILL THRU FLOOR WITH CARE  
 WATCH FOR GAS TANK, CONTROL  
 LINES, & ELECTRICAL WIRING.