



ADRIAN STEEL®

Cargo Management Solutions for Commercial Vehicles

Rail mounting kit for Nissan LCV



RKLCV

Rail Kit for Nissan LCV Installation / Assembly

- PRECAUTIONS -



CAUTION
THE USE AIR IMPACT TOOLS CAN
OVER-TORQUE FASTENERS AND
CAUSE FASTENER FAILURE!



CAUTION
ALL INSTALLATION HOLES SHOULD BE SEALED
WITH SILICON OR BUTYL SEALANT TO PREVENT
EXHAUST FUMES FROM ENTERING THE VEHICLE!



DANGER
INSPECT FOR FUEL TANK, FUEL LINES, BRAKE LINES, HIGH
VOLTAGE BATTERIES AND ELECTRICAL LINES PRIOR TO
DRILLING TO AVOID DAMAGING CRITICAL VEHICLE SYSTEMS
OR INJURY TO INSTALLER DURING INSTALLATION PROCESS!



CAUTION
TO AVOID DAMAGING THE VEHICLE ALWAYS
USE DRILL STOPS WHEN DRILLING ANY IN-
STALLATION HOLES!



- IMPORTANT WARRANTY REQUIREMENTS -

1. SUBSTITUTING ADRIAN STEEL SPECIFIED FASTENERS FOR ASSEMBLY AND/OR INSTALLATION WILL VOID YOUR PRODUCT WARRANTY.
2. ALL HOLES DRILLED INTO VEHICLE SHOULD HAVE THE RAW METAL EDGES SEALED WITH A SELF-ETCHING PRIMER TO RESIST CORROSION AND POTENTIAL FASTENER POINT FAILURE.
3. ALL FASTENERS USED IN THE INSTALLATION OF THIS PRODUCT SHOULD BE TIGHTENED TO THE TORQUE(S) SPECIFIED IN THESE INSTRUCTIONS.
4. THESE INSTRUCTIONS SHOULD BE KEPT WITH THE VEHICLE.

THE BASIC TOOLS NEEDED FOR MOST INSTALLATIONS



DRILL



DRILL BIT WITH
STOP



RATCHET, SOCKETS
AND/OR WRENCHES



SCREWDRIVERS



MEASURING TAPE

ADDITIONAL TOOLS MAY BE NEEDED FOR THIS INSTALLATION AND THEY WILL BE IDENTIFIED IN THE STEPS THAT FOLLOW.

RKLCV Rail Kit Asm/Install Instructions

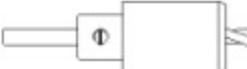


WHEN INSTALLING PLUSNUTS MAKE SURE YOU USE THE CORRECT DRILL BIT WITH A STOP!

PLUSNUT SIZE	DRILL BIT SIZE
1/4-20 PLUSNUT, FAS0052	USE A 3/8" DIAMETER DRILL BIT WITH A STOP.
5/16-18 PLUSNUT, FAS0091	USE A 1/2" DIAMETER DRILL BIT WITH A STOP.


 OR
 
NOTE: A PLUSNUT SETTING TOOL IS REQUIRED FOR PLUSNUT INSTALLATION AND IS NOT SUPPLIED WITH THIS KIT. ORDER PLUSNUT TOOLS FROM ADRIAN STEEL (P.N. 22200-0) OR USE AN AIR POWERED PLUSNUT SETTING GUN.

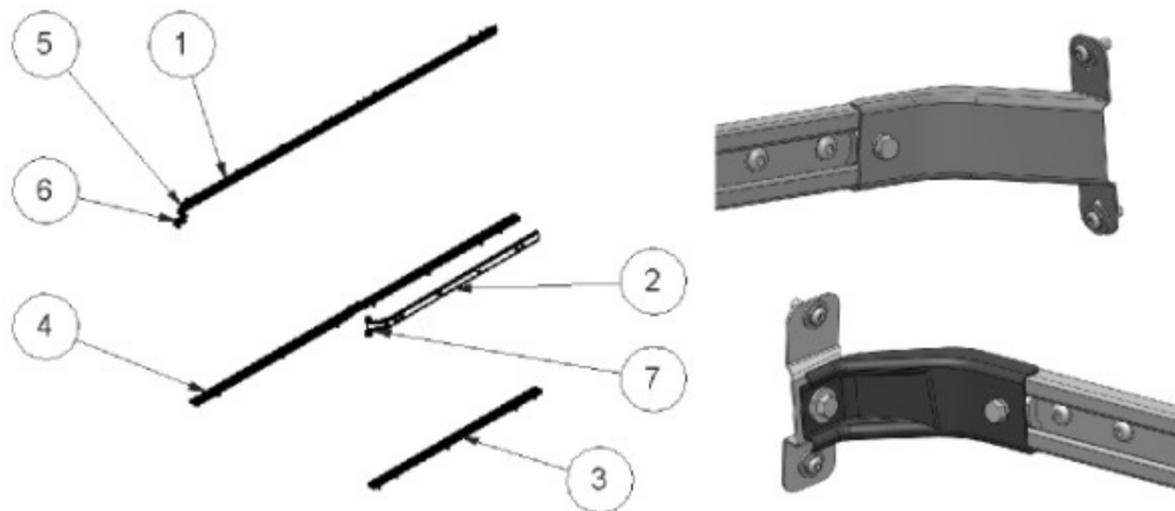
NOTE: If your vehicle contains carpet or a rubber floor mat you will need to prepare the mounting locations using a 1-3/16" carpet cutter.

1-3/16" DIAMETER CARPET CUTTER P.N. 31183-0.


	<h1>Step 01</h1> <p>Optional</p>	<p>If your vehicle contains carpet or a rubber floor mat you will need to prepare the mounting locations. (if not, skip to STEP 02)</p> <p>Position the product to be installed into the vehicle and once you are satisfied with the mounting locations, mark the mounting locations. Using a 1-3/16" diameter carpet cutter. Select the appropriate floor spacers as shown in the illustration to the left. Set those aside for use later into the installation process.</p> <p>Once you have prepared the carpet/floor mat for</p>
	<h1>Step 02</h1> <p>Prepare Mounting Locations</p>	<p>Using a drill and drill bit (<i>see table at top of page for correct size</i>) drill the mounting holes in the vehicle sheet metal to prepare for installing the plusnuts.</p> <p>If you are thru-bolting at any of the locations simply drill a hole that is 1/16" larger than the bolt size(s) for those locations.</p> <p>Once you have drilled the holes into the vehicle, the raw metal edges should be sealed using a self-etching primer to resist corrosion and potential fastener point failure.</p>
	<h1>Step 03</h1> <p>Setting Plusnuts</p>	<p>Use a Air Powered Plusnut Setting Gun to "set the plusnut" or if installing manually with hand tools, assemble the following:</p> <p>1/4-20UNC Plusnut (FAS0052) FAS0080 SCREW, HXHD, 1/4-20UNCx2.00, G8 FAS0067 WASHER, FLAT, 1/4"ID 22200-0 PLUSNUT TOOL</p> <p>5/16-18UNC Plusnut (FAS0091) FAS0095 SCREW, HXHD, 5/16-18UNCx2.00", G8 FAS0086 WASHER, FLAT, 5/16"ID 22200-0 PLUSNUT TOOL</p> <p>Place barrel of the plusnut body in sheet metal thru hole until flange is flush with sheet metal.</p> <p>Using a 9/16" combination wrench of plusnut tool body and a second hand wrench, ratchet, or air tool, rotate the hex bolt head CW to draw plus nut flanges up (set the plusnut).</p> <p>Remove hex bolt, washer, and plusnut. Inspect installation.</p>

RKLCV Rail Kit Asm/Install Instructions

Step 04 "Rail kit Hardware Drawing/Hdw Review"



Parts List:

Item #	Quantity	P/N	Part Description
1	1	38428	HEADER RAIL, STREET X 100.94 LG
2	1	38429	HEADER RAIL, CURB X 49.00 LG
3	1	38427	FLOOR RAIL, CURB X 53.63 LG
4	1	38425	FLOOR RAIL, STREET X 104.50 LG
5	1	39095-G	D-PILLAR MTG BRKT, STREET
6	1	39096-G	D-PILLAR MTG PAD, STREET
7	1	39094-G	D-PILLAR MTG BRACKET, CURB
ref	1	BAG39712	INSTALL BAG, RAIL KIT

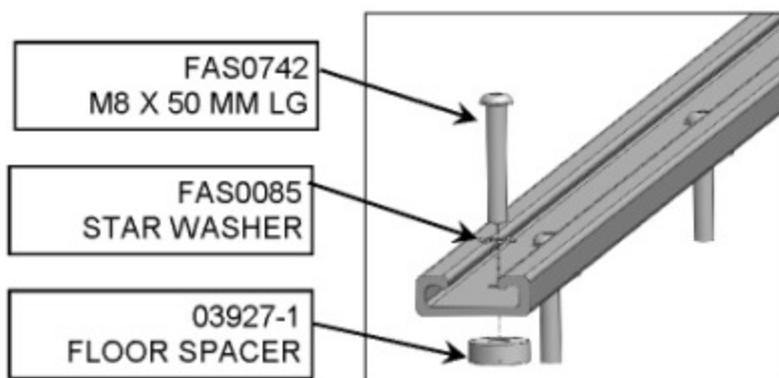
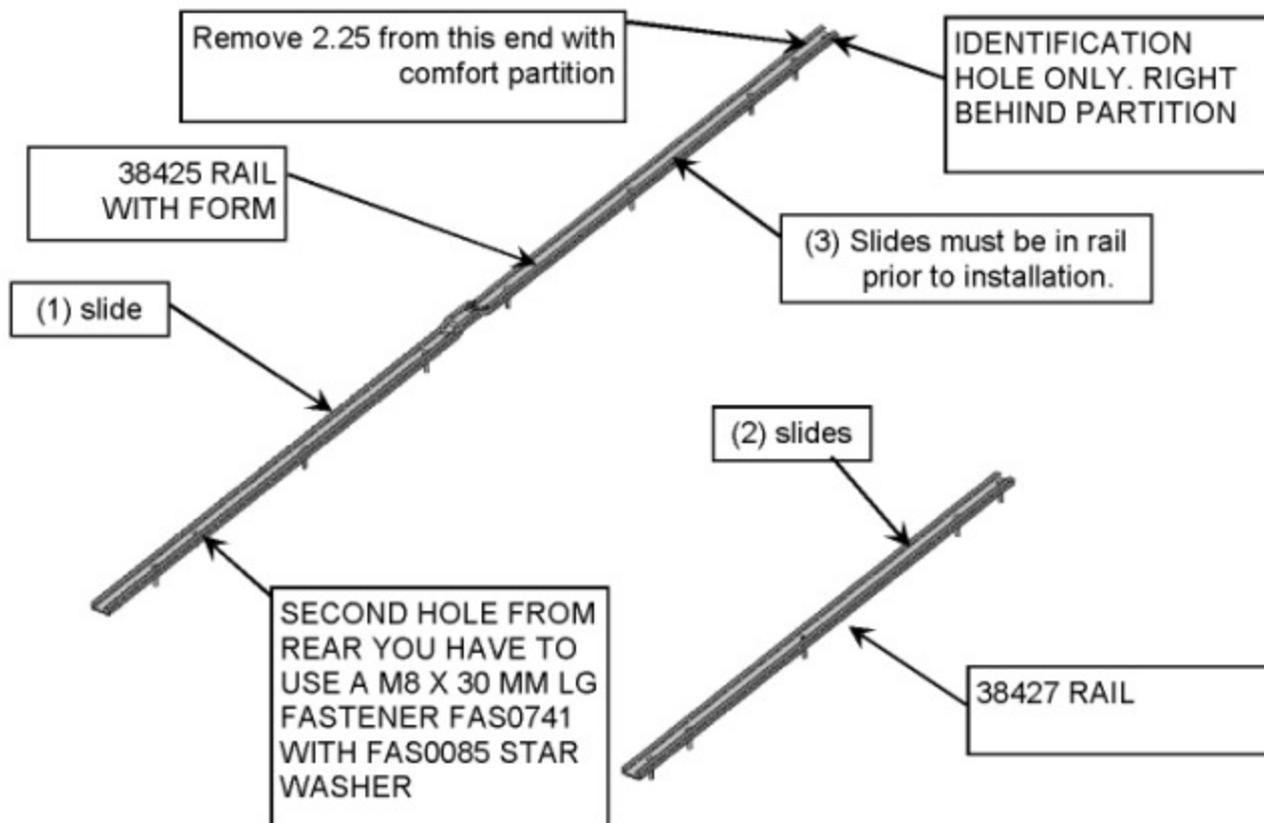
Asm/Install Fasteners BAG39712 :

Item #	Quantity	P/N	Part Description
1	14	FAS0165	Screw, Hex Hd, 5/16-18x.625
2	1	FAS0081	Screw, Hex Hd, 5/16-18x0.75 Zn Plate
3	14	FAS0086	Washer, Flat, 5/16, ZN
4	2	FAS0098	Washer, Lock split, 5/16
5	1	FAS0090	Nut, Nylon Insert Lock, 5/16-18, Zi
6	19	FAS0741	Screw, Button Hd Hex Soc, M8-1.25 X 30
7	13	03927-1	Floor spacer, short
8	12	FAS0742	Screw, Button Hd Hex Soc, M8-1.25 X 50
9	43	FAS0085	Washer, Lock, Ext. Tooth, 5/16
10	4	FAS0653	M6 x 1.0 x 20mm Button Head Socket Cap
11	4	FAS0060	Washer, Lock split, 1/4
12	4	FAS0067	Washer, Flat, 1/4
13	2	35335-0	Slide

Step 05 "Install Street and Curb floor rails"

Place the (13) floor rail spacers over all mounting locations on all floor and set the rail on top. Install the (6) slides 35335-0 in the rails before you Secure the rail using (12) FAS0742 and (1) FAS0741 fasteners with FAS0085 Star washers.

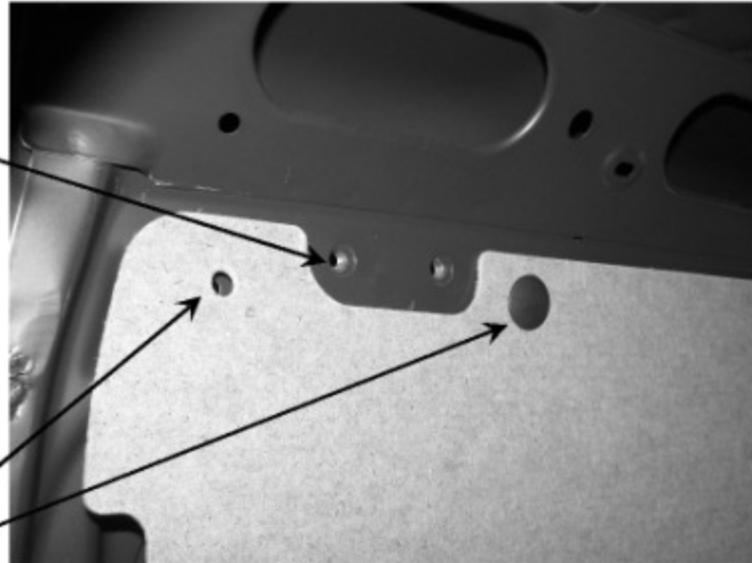
INSTALLATION NOTE: If you are installing the 3" setback / comfort partition with this rail kit, you must cut 2.25" off the street side rail.



Step 6A “Installing header rail with optional side panels”

If you are installing the Rail kit with the optional side panels, you will need to remove ALL of the top Christmas tree clips so the rail can be installed and sit flush on the panels. This will be typical on both sides. Install as instructed in Step 6B.

RAIL MOUNTING HOLES

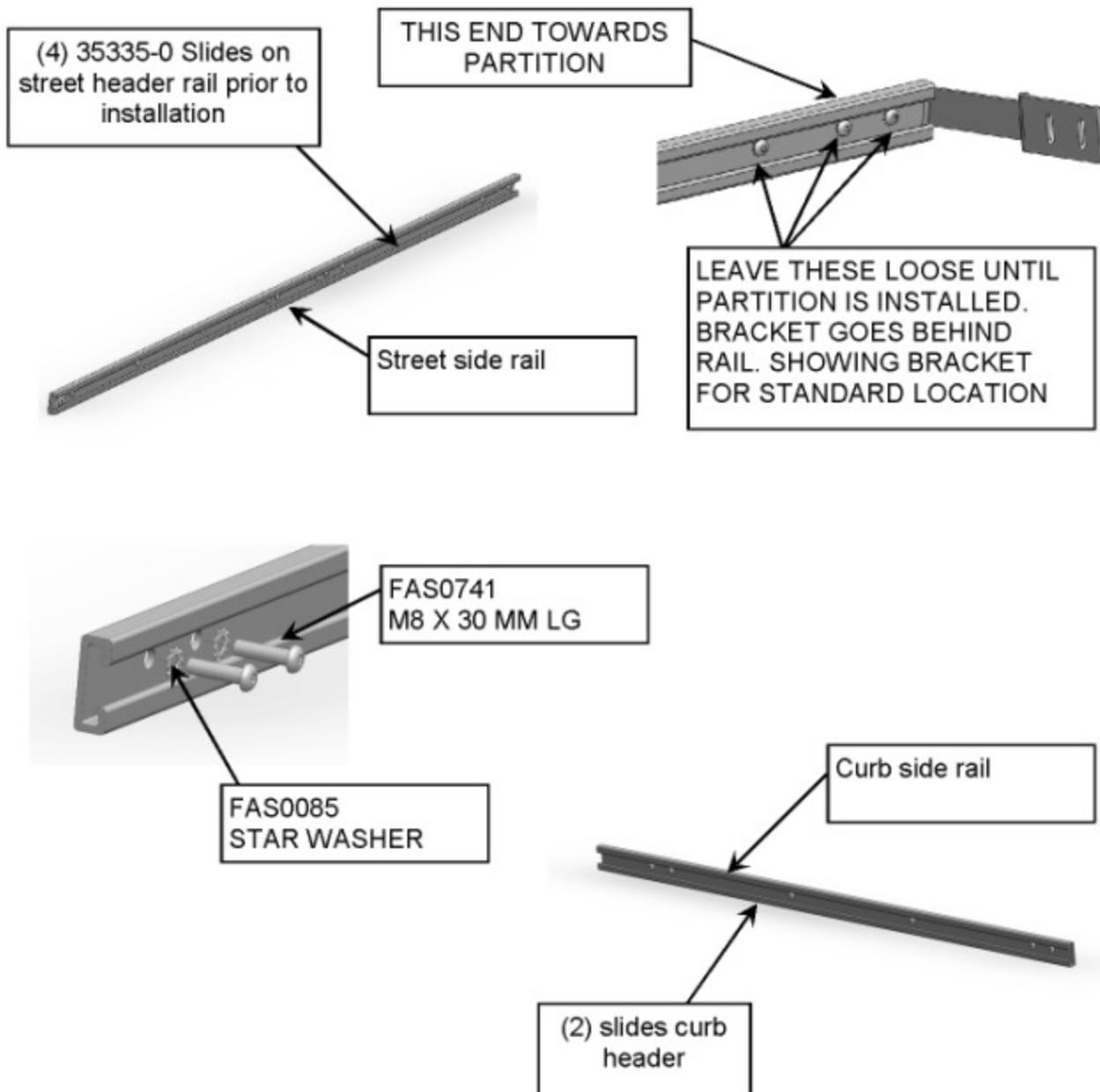


Remove Christmas tree clips



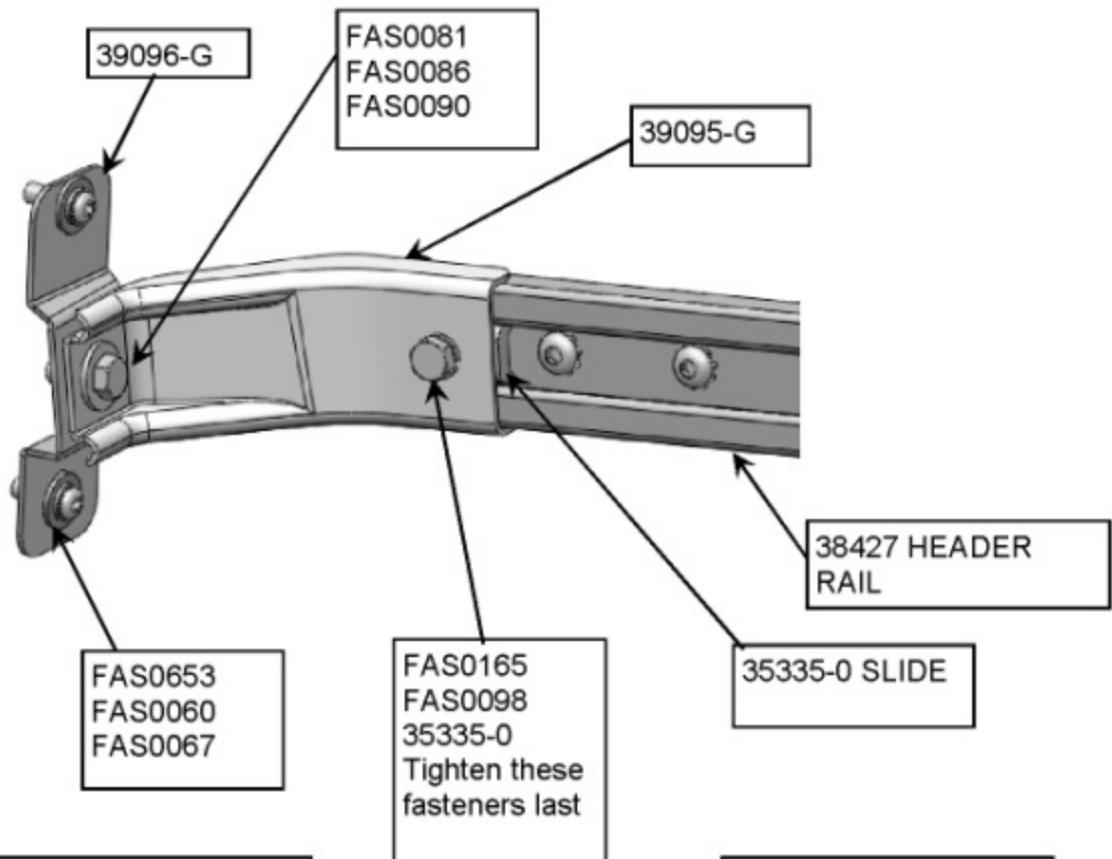
Step 6B “ Install slides and the Upper rails”

Install the (6) 35335-0 slides in the appropriate rail as described below. Position the Street side rail in the upper position with the 3-hole end towards the partition. Finger tighten all rail fasteners in place. Do the same on the Curb side Header rail. After all fasteners are in, go back and tighten all except for the front three so the partition installation bracket can be installed.



Step 7 “ Install street side D-Pillar mounting brackets”

Assemble and install the D-Pillar brackets. Finger tighten all fasteners in place, then tighten the rear mounting ones first and then the one to the rail last.



Std Roof installation

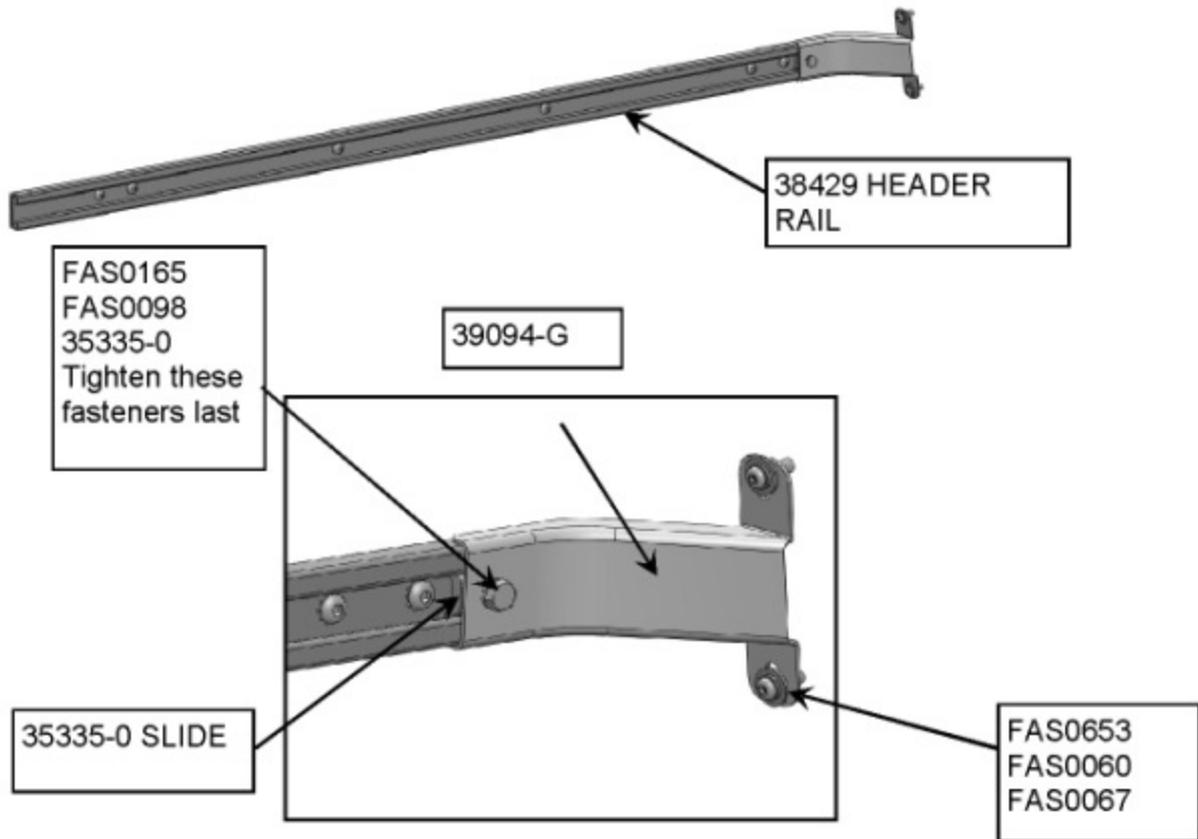


High Roof installation



Step 8 “ Install Curb side D-Pillar mtg bracket”

Install the D-Pillar bracket. Finger tighten all fasteners in place, then tighten the rear mounting ones first and then the one to the rail last.



Std Roof installation

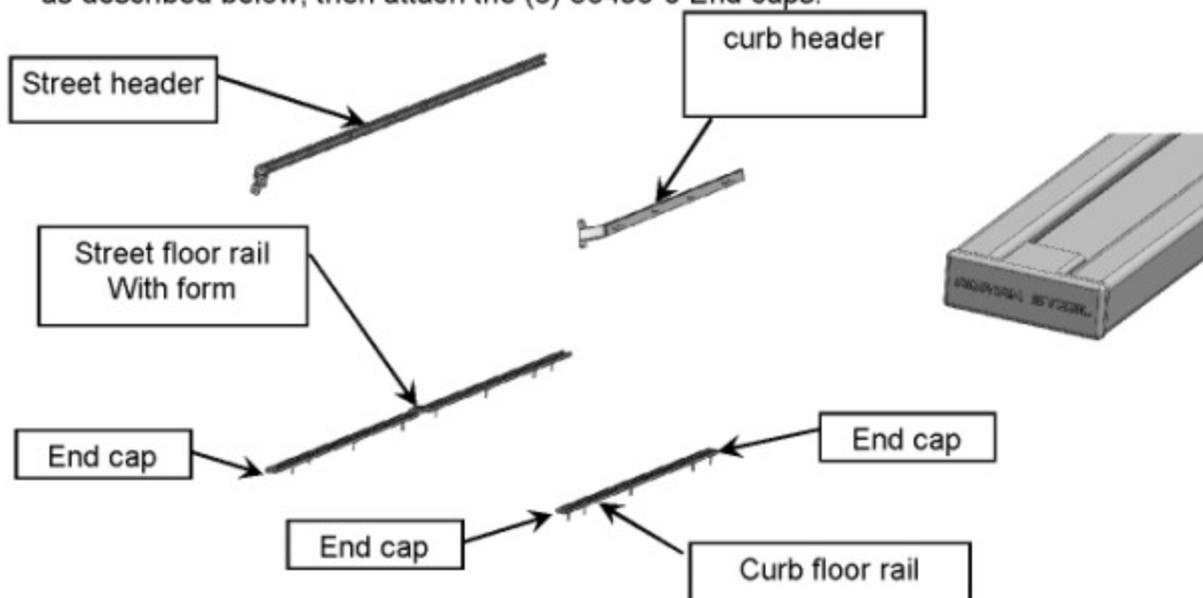


High Roof installation

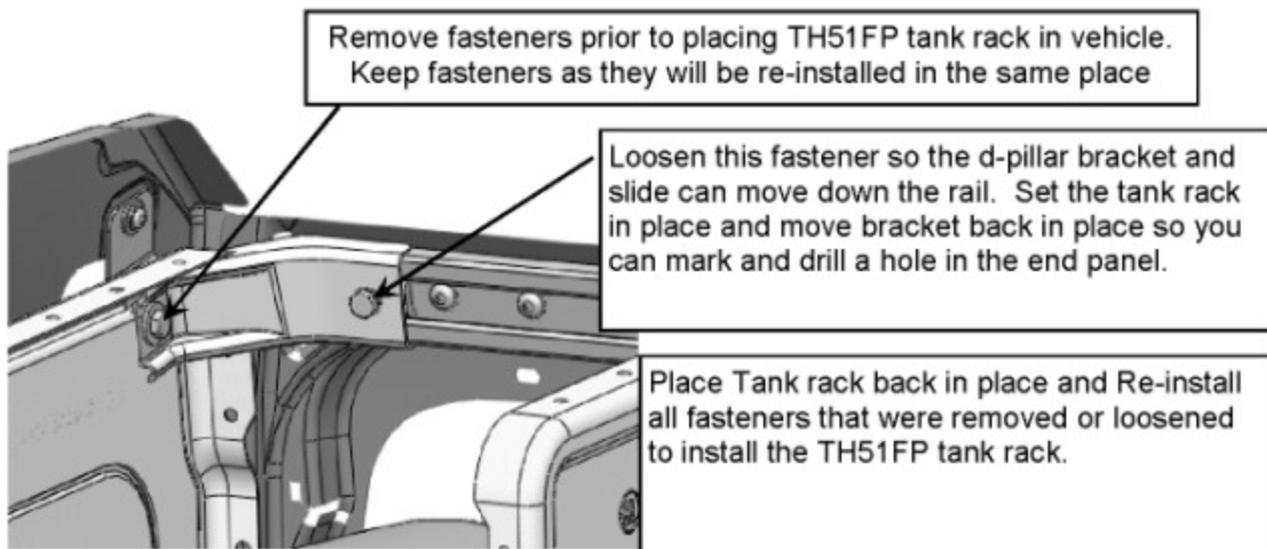


Step 9 “ Attach End caps to the floor rails”

Before the end caps are installed, install the (12) 35335-0 slides in the appropriate rail as described below, then attach the (3) 36496-0 End caps.



Ref “TH51FP Installation with two piece D-Pillar rail bracket”



DOUBLE CHECK ALL FASTENERS LOCATIONS TO BE SURE THAT ALL FASTENERS ARE TIGHTENED TO SPECIFICATIONS.

YOUR INSTALLATION IS NOW COMPLETE!

STOW THIS COPY IN THE VEHICLE FOR FUTURE REFERENCES!