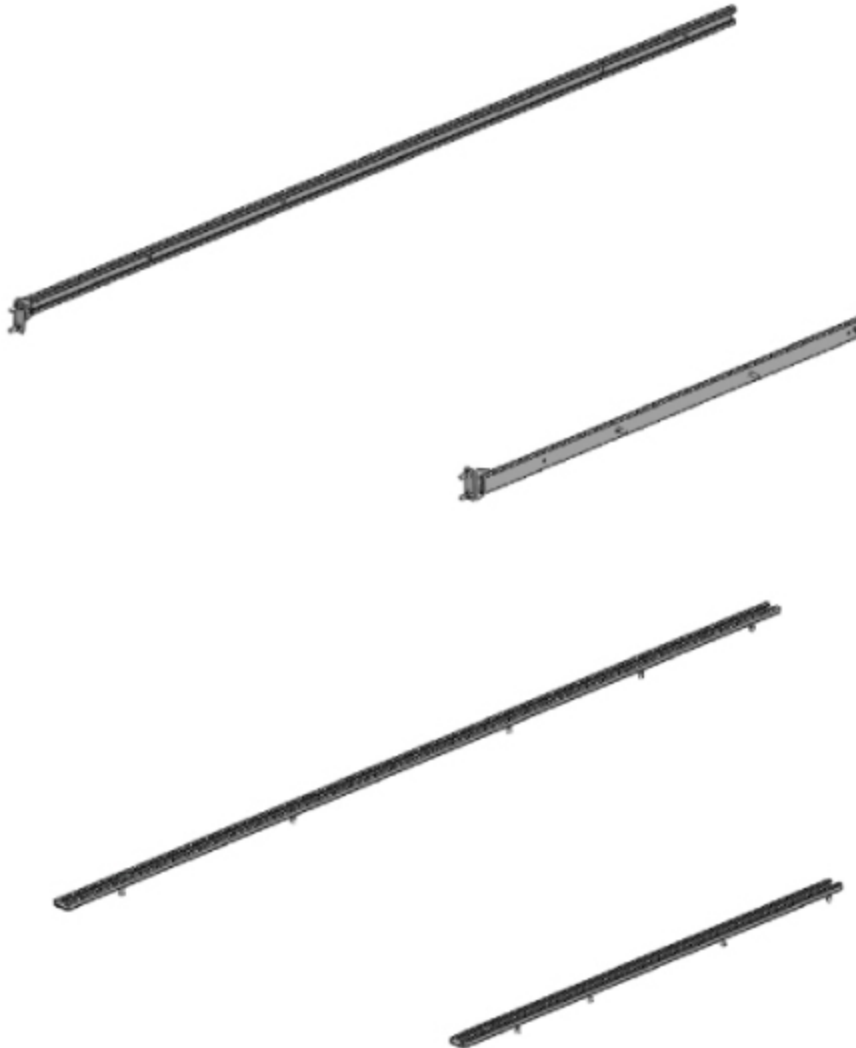


Introduction / Comments:

This rail kit is designed to fit in your 130 wheel base Ford Transit, Mid roof vehicle. This rail kit will not work with the OEM liner kit, if you have this liner kit in your vehicle, the top panels will need to be removed.

Note:

It is advised that all fasteners used in this assembly and installation should be checked for tightness at the following intervals: @ 2-weeks and again @ 6-weeks of operation. This preventive maintenance step must be completed to ensure your Partition gives you long service life.



**RK130FTM
RAIL KIT, 130 WB
FORD TRANSIT**

- PRECAUTIONS -



CAUTION
THE USE OF AIR IMPACT TOOLS CAN
OVER-TORQUE FASTENERS AND
CAUSE FASTENER FAILURE!



CAUTION
ALL INSTALLATION HOLES SHOULD BE SEALED
WITH SILICON OR BUTYL SEALANT TO PREVENT
EXHAUST FUMES FROM ENTERING THE VEHICLE!



DANGER
INSPECT FOR FUEL TANK, FUEL LINES, BRAKE LINES, HIGH
VOLTAGE BATTERIES AND ELECTRICAL LINES PRIOR TO
DRILLING TO AVOID DAMAGING CRITICAL VEHICLE SYSTEMS
OR INJURY TO INSTALLER DURING INSTALLATION PROCESS!



CAUTION
TO AVOID DAMAGING THE VEHICLE ALWAYS USE DRILL
STOPS WHEN DRILLING ANY INSTALLATION HOLES!
ADRIAN AVAILABLE PART #'S 31121-0 (1/2" DEEP),
31122-0 (3/4" DEEP)



- IMPORTANT WARRANTY REQUIREMENTS -

1. SUBSTITUTING ADRIAN STEEL SPECIFIED FASTENERS FOR ASSEMBLY AND/OR INSTALLATION WILL VOID YOUR PRODUCT WARRANTY.
2. ALL HOLES DRILLED INTO VEHICLE SHOULD HAVE THE RAW METAL EDGES SEALED WITH A SELF-ETCHING PRIMER TO RESIST CORROSION AND POTENTIAL FASTENER POINT FAILURE.
3. ALL FASTENERS USED IN THE INSTALLATION OF THIS PRODUCT SHOULD BE TIGHTENED TO THE TORQUE(S) SPECIFIED IN THESE INSTRUCTIONS.
4. THESE INSTRUCTIONS SHOULD BE KEPT WITH THE VEHICLE.

THE BASIC TOOLS NEEDED FOR MOST INSTALLATIONS



DRILL



DRILL BIT WITH
STOP



RATCHET, SOCKETS
AND/OR WRENCHES



SCREWDRIVERS



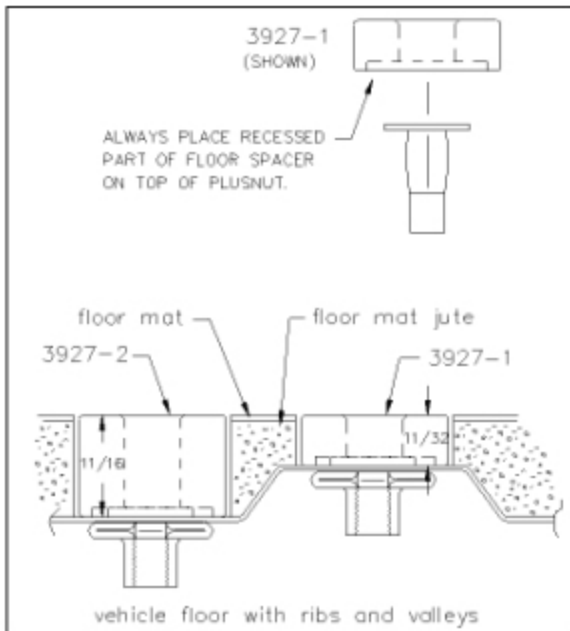
MEASURING TAPE

ADDITIONAL TOOLS MAY BE NEEDED FOR THIS INSTALLATION AND THEY WILL BE IDENTIFIED IN THE STEPS THAT FOLLOW.

If your vehicle contains carpet or a rubber floor mat you will need to prepare the mounting location. Position the product to be installed into the vehicle and once you are satisfied with the mounting locations, mark the mounting locations. Using a 1-3/16" diameter carpet cutter (P/N: 31183-0). Select the appropriate floor spacers as shown in the illustration. Set those aside for use later into the installation process. Using the correct drill bit size for the selected plusnut, drill the mounting holes in the vehicle sheet metal to prepare for installing the plusnuts.

If you are thru-bolting at any of the locations simply drill a hole that is 1/16" larger than the bolt size(s) for those locations.

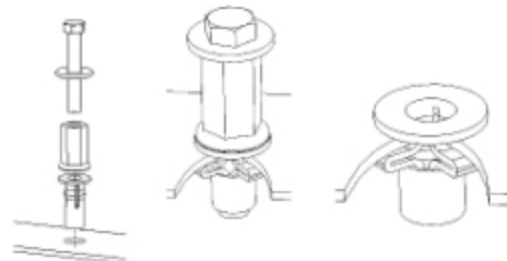
Once you have drilled the holes into the vehicle, the raw metal edges should be sealed using a self-etching primer to resist corrosion and potential fastener point failure.



A PLUSNUT (RIVNUT) SETTING TOOL IS REQUIRED FOR PLUSNUT (RIVNUT) INSTALLATION AND IS NOT SUPPLIED WITH THIS KIT. OR USE AN AIR POWERED PLUSNUT SETTING GUN.

1/4-20UNC Plusnut (FAS0052) Use 3/8" dia. drill w/stop
 FAS0080 SCREW, HXHD, 1/4-20UNCx2.00", G8
 FAS0067 WASHER, FLAT, 1/4"ID
 22200-0 PLUSNUT TOOL

5/16-18UNC Plusnut (FAS0091) Use 1/2" dia. drill w/stop
 FAS0095 SCREW, HXHD, 5/16-18UNCx2.00", G8
 FAS0086 WASHER, FLAT, 5/16"ID
 22200-0 PLUSNUT TOOL

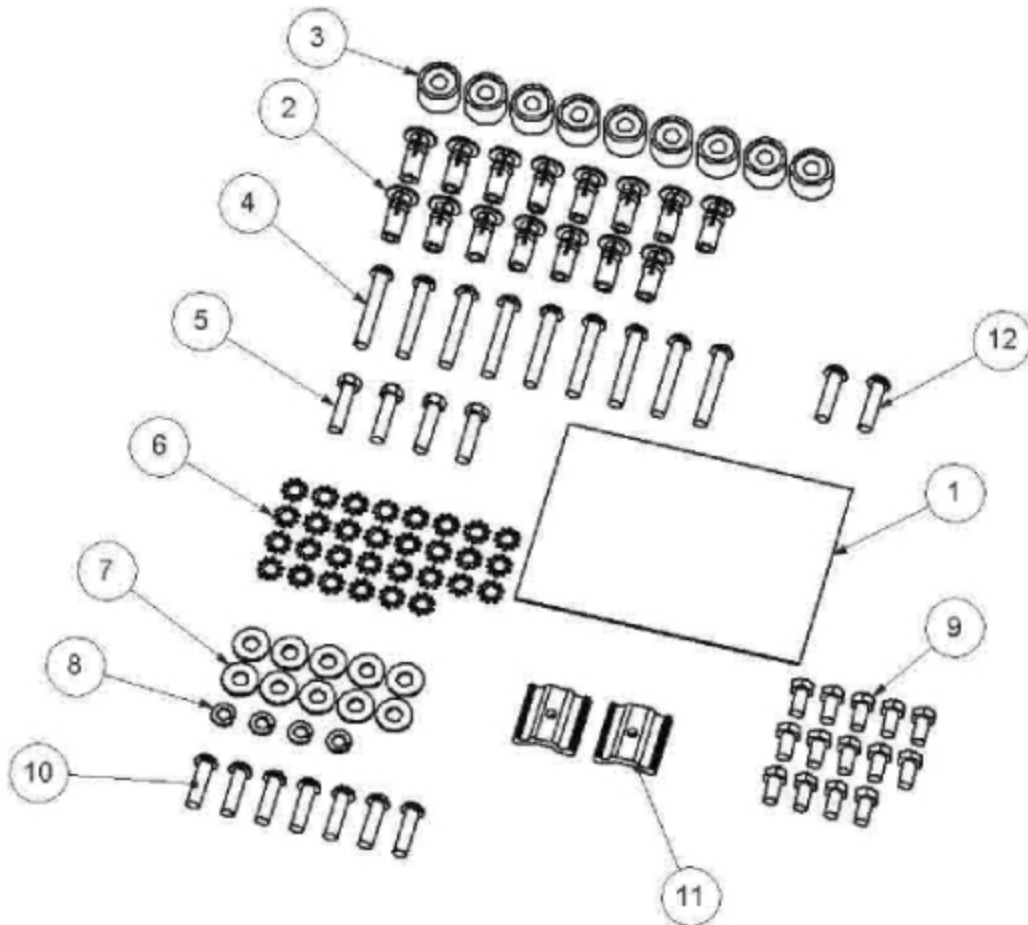


Place barrel of the plusnut body in sheet metal thru hole until flange is flush with sheet metal.

Using a 9/16" combination wrench of plusnut tool body and a second hand wrench, ratchet, or air tool, rotate the hex bolt head CW to draw plus nut flanges up (set the plusnut).

Assembly and Installation
Fastener Identification Sheet
(BAG47253)

ITEM NO.	PART NUMBER	DESCRIPTION	QTY.
1	BAG0507-A	5" x 7" 3MIL AUTOBAG	1
2	FAS0091	Plusnut, 5/16	15
3	03927-2	Tall Floor Spacer	9
4	FAS0048	Screw, Button Hd Hex Soc, 5/16-18X 2, BLK OXIDE	9
5	FAS0093	Screw, Hex Hd, 5/16-18x1.25	4
6	FAS0085	Washer, Lock, Ext. Tooth, 5/16	30
7	FAS0086	WASHER,FLAT USS 5/16 ZP	10
8	FAS0098	Washer, Lock, Split, 5/16, Zinc Plate	4
9	FAS0185	Screw, Hex Hd, 5/16-18x.625	14
10	FAS0741	Screw, Button Hd Hex Soc, M8-1.25 X 30	7
11	35335-0	SLIDE	2
12	FAS0708	Screw, Button Hd Hex Soc, 5/16-18X1.25, BLK OXIDE	2

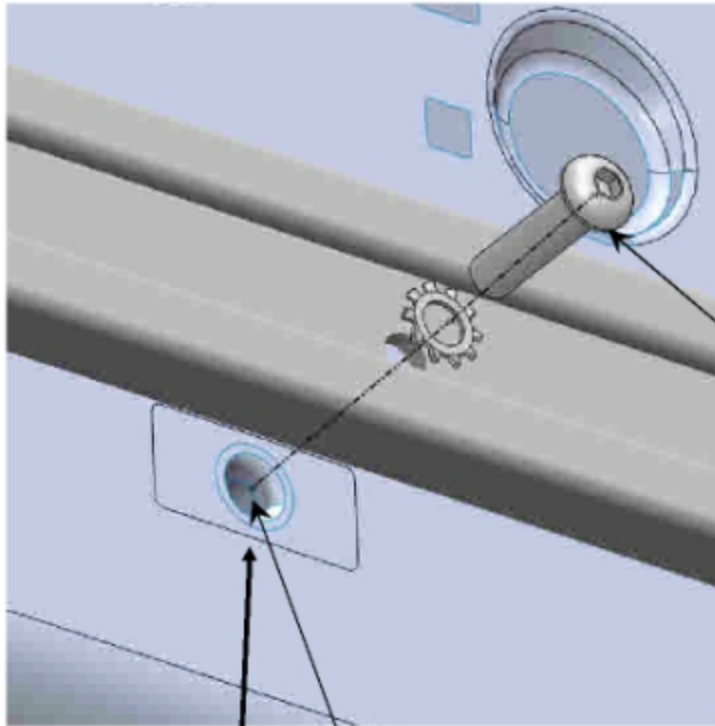


STEP 1A —VEHICLES WITH OEM LINER KITS—NEED TO REMOVE UPPER PANELS ON THE STREET AND CURB SIDE.



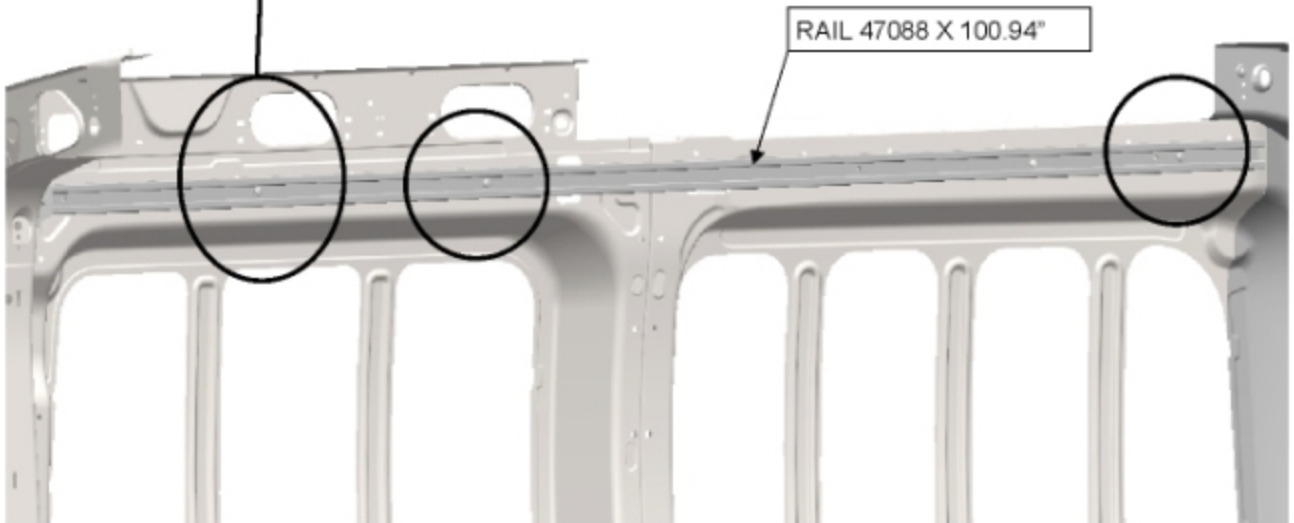
GENERIC PICTURE OF VEHICLE AND LINER KIT SHOWING RAIL KIT INSTALLED FOR REFERENCE ONLY

STEP 1B STREET SIDE UPPER RAIL



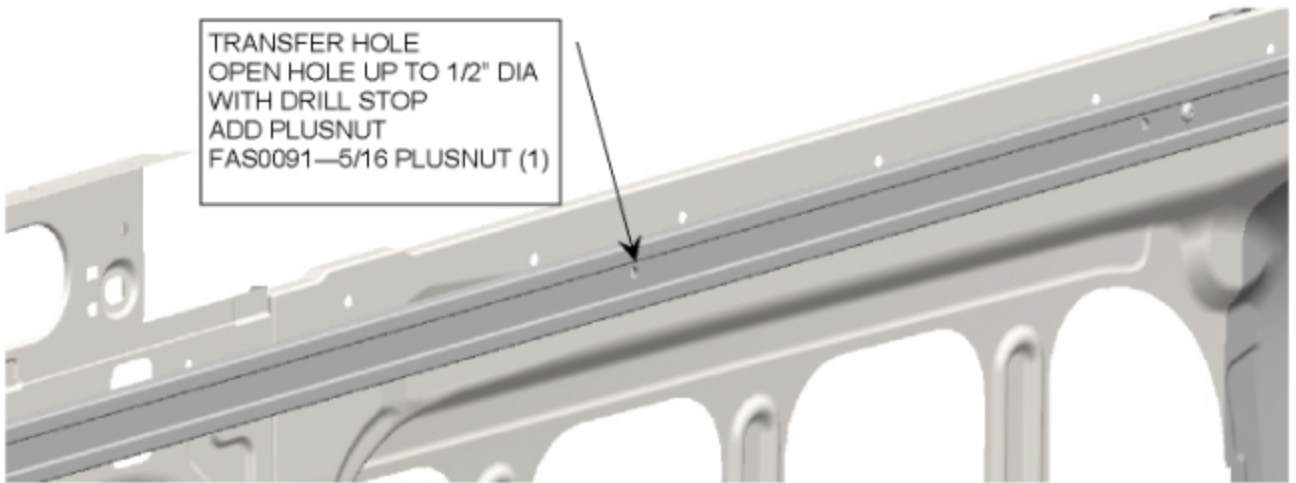
FAS0085 - 5/16 STAR WASHER (3)
FAS0741 - M8X1.25 X 30 LG (3)

EXISTING M8X1.25 INSERT
(3) LOCATIONS USED
STREET SIDE UPPER

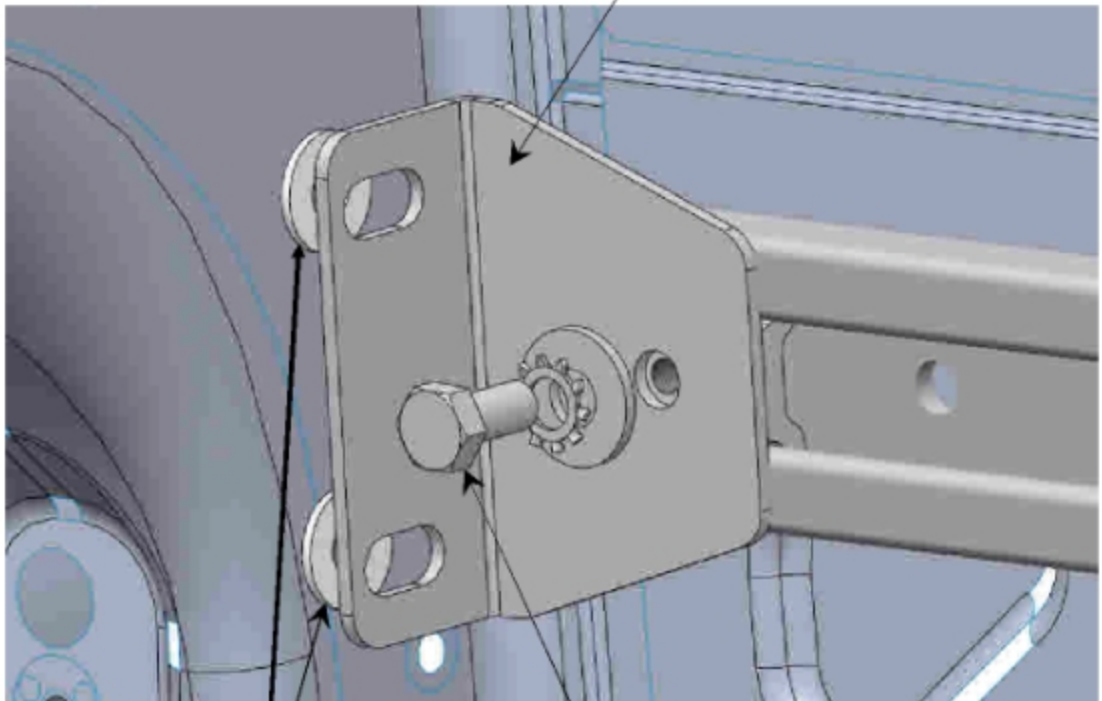


STEP 1C STREET SIDE UPPER RAIL -LOCATE AND TRANSFER HOLES- REMOVE RAIL

TRANSFER HOLE
OPEN HOLE UP TO 1/2" DIA
WITH DRILL STOP
ADD PLUSNUT
FAS0091—5/16 PLUSNUT (1)



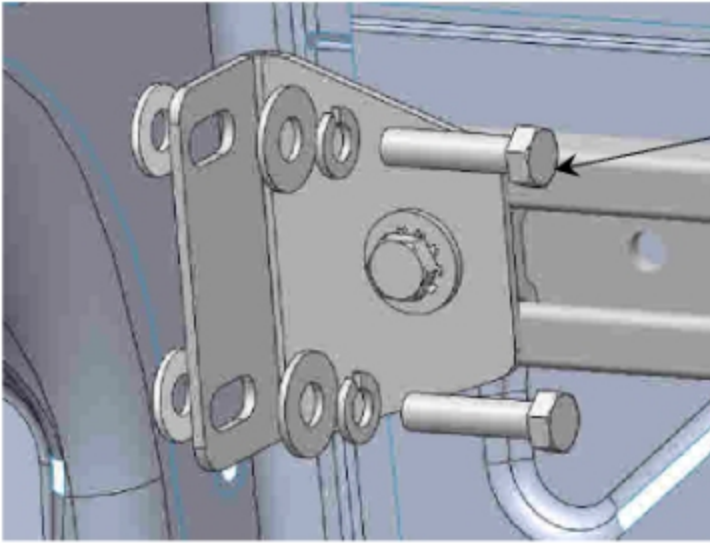
47078-G
D-PILLAR MTG PLATE



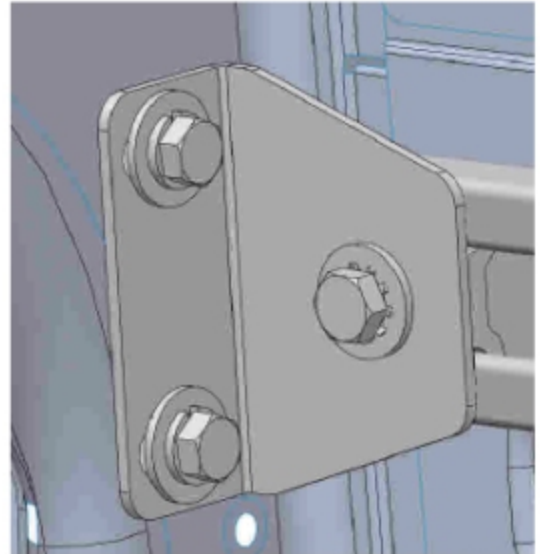
TRANSFER HOLES
OPEN HOLE UP TO 1/2" DIA
WITH DRILL STOP
ADD PLUSNUTS
FAS0091—5/16 PLUSNUT (2)

35335-0 SLIDE
FAS0165— HEX HEAD (1)
FAS0085—STAR WASHER (1)
FAS0086—FLAT WASHER (1)

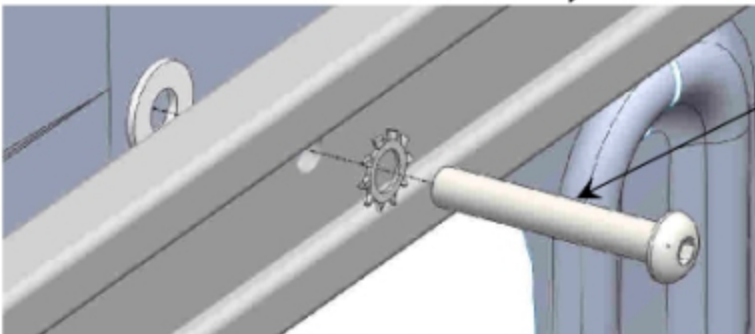
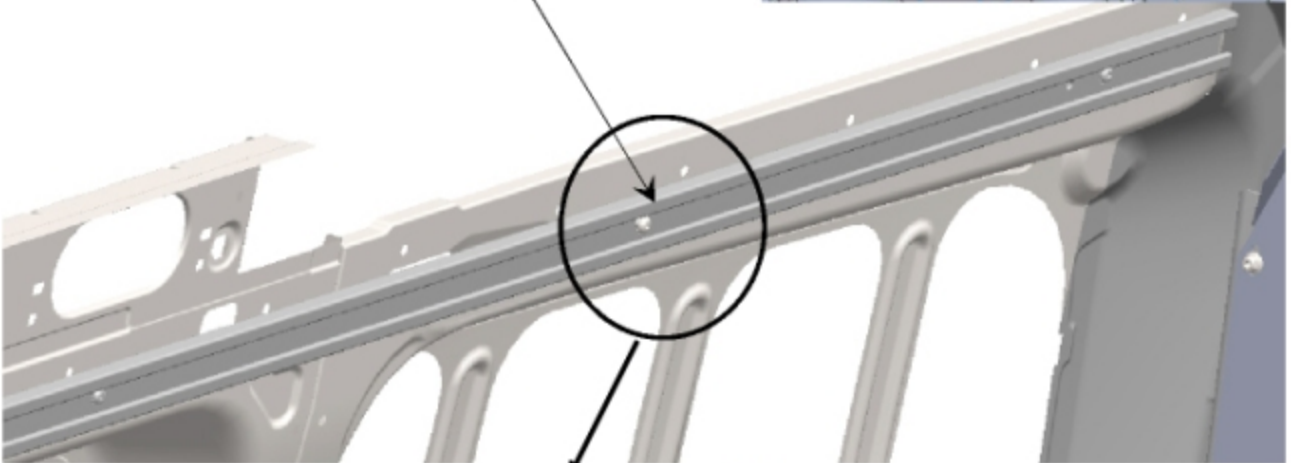
STEP 1D - FINAL INSTALLATION OF STREET SIDE UPPER RAIL



FAS0093— HEX HEAD (2)
FAS0098— LOCK WASHER (2)
FAS0086— FLAT WASHER (2)

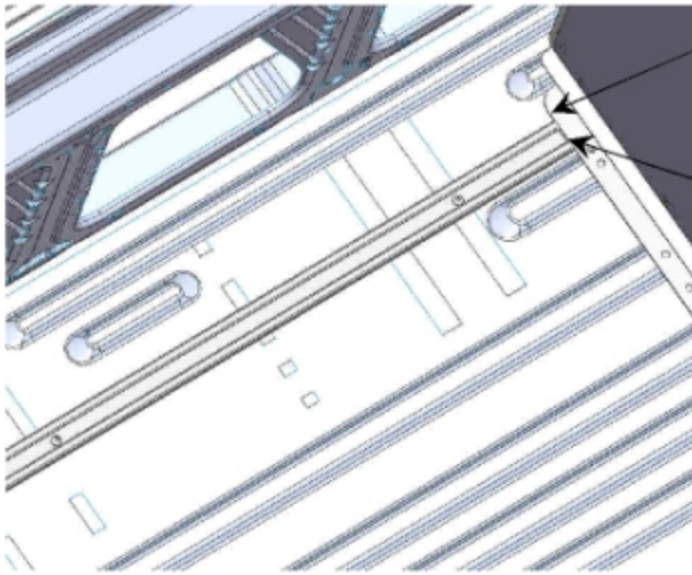


FROM PREVIOUS PAGE
AFTER SETTING PLUSNUT



FAS0085— STAR WASHER (1)
FAS0708— BUTTON HEAD (1)

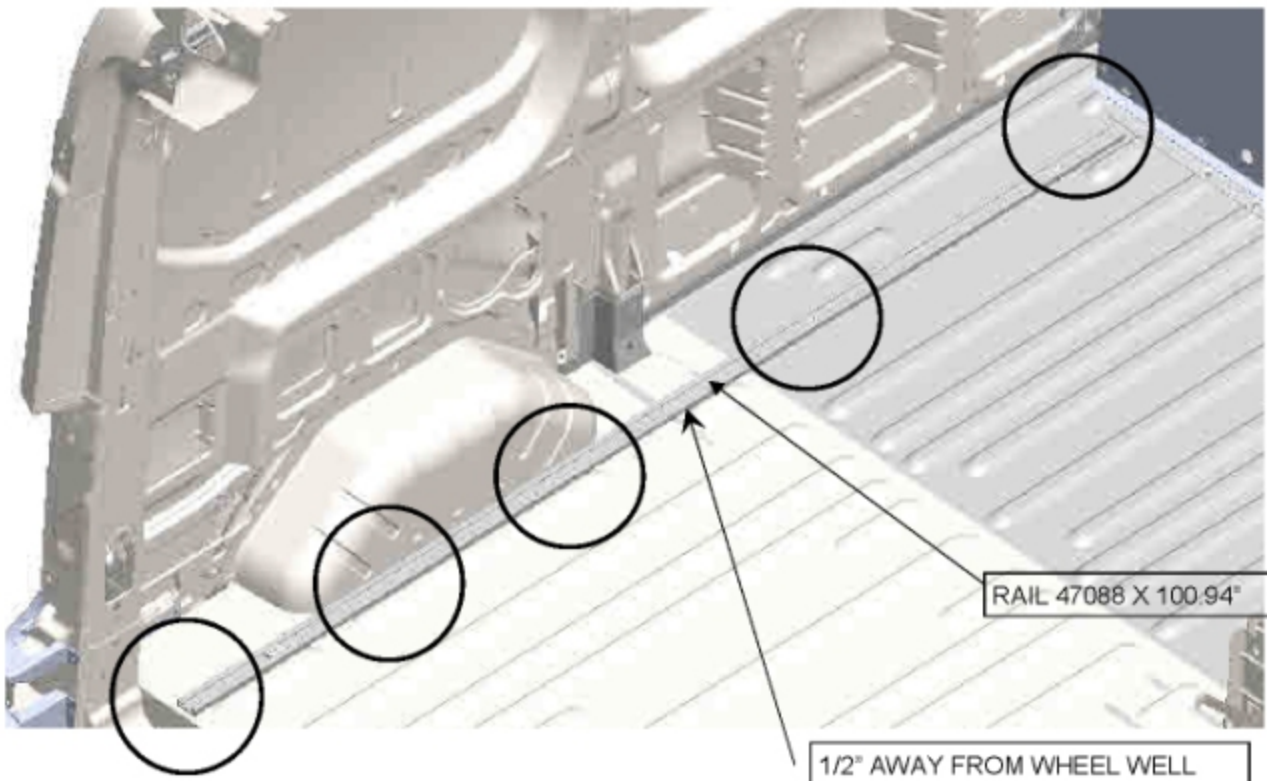
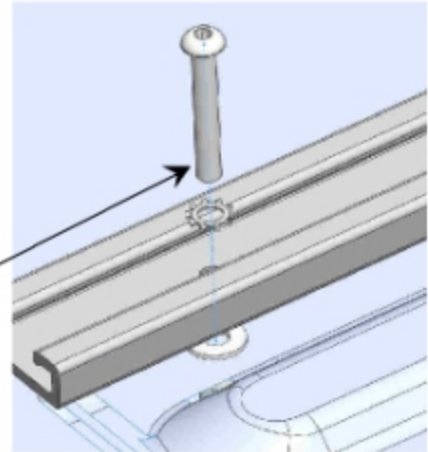
STEP 2 - ADD STREET SIDE FLOOR RAIL WITH ADRIAN PARTITION



**INSTALLED
ADRIAN PARTITION
FOOTER RAIL.**

TOUCHING TO
APPROXIMATELY 1/8" AWAY
FROM FOOTER RAIL

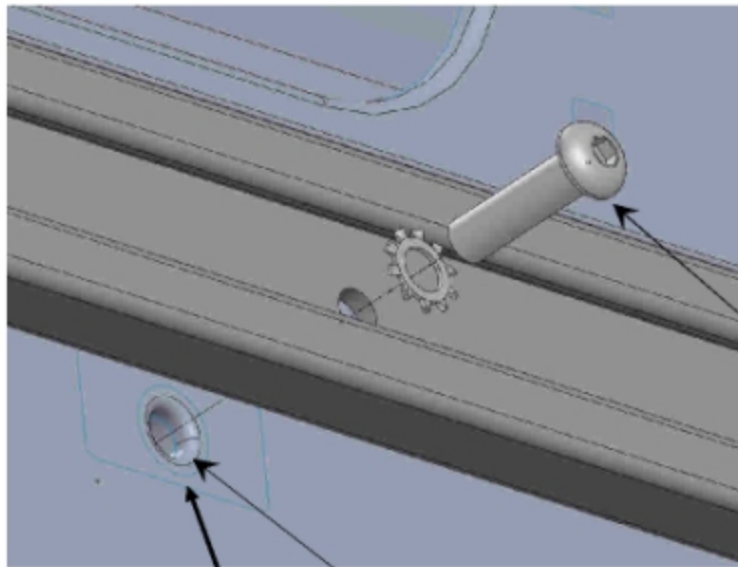
REAR VIEW OF RAIL
FAS0091—PLUSNUT (5)
FAS0048— BUTTON HD (5)
FAS0085—STAR WASHER (5)



RAIL 47088 X 100.94"

1/2" AWAY FROM WHEEL WELL

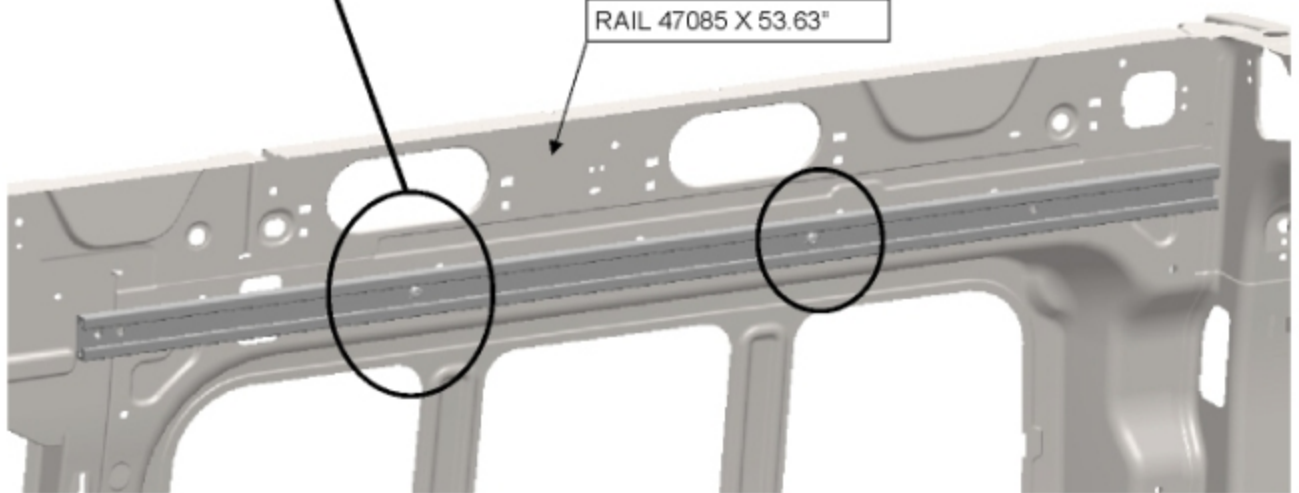
STEP 3 CURB SIDE UPPER RAIL



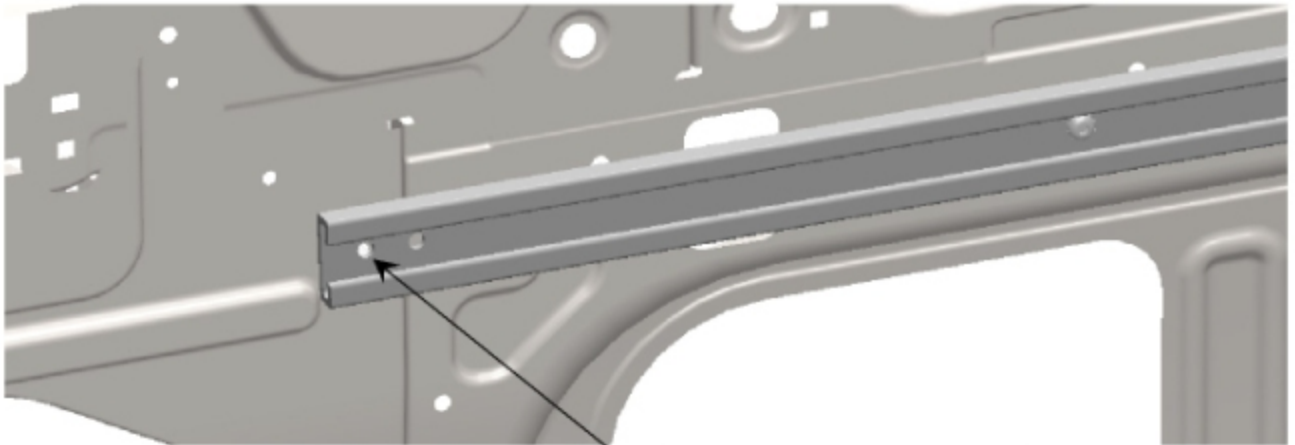
FAS0085 - 5/16 STAR WASHER (2)
FAS0741 - M8X1.25 X 30 LG (2)

EXISTING M8X1.25 INSERT
(2) LOCATIONS USED
CURB SIDE UPPER

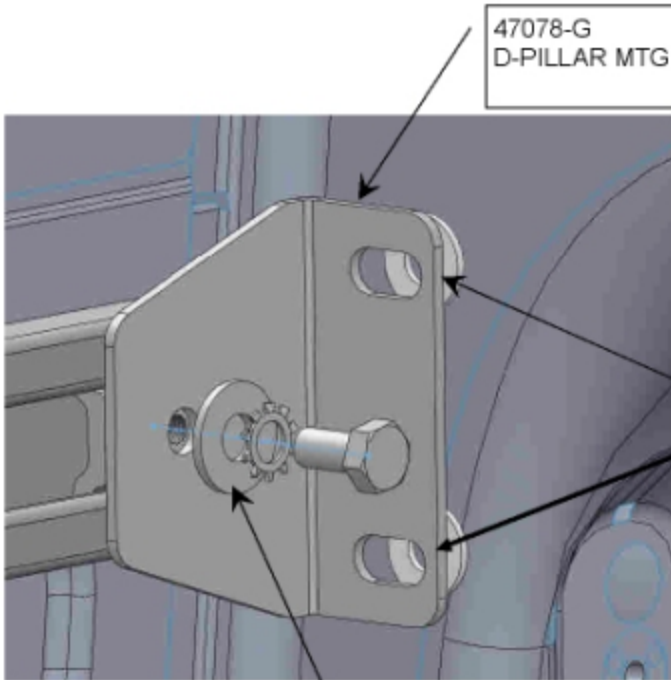
RAIL 47085 X 53.63"



STEP 3B - LOCATE AND TRANSFER HOLES



TRANSFER HOLE
OPEN HOLE UP TO 1/2" DIA
WITH DRILL STOP
ADD PLUSNUT
FAS0091—5/16 PLUSNUT (1)

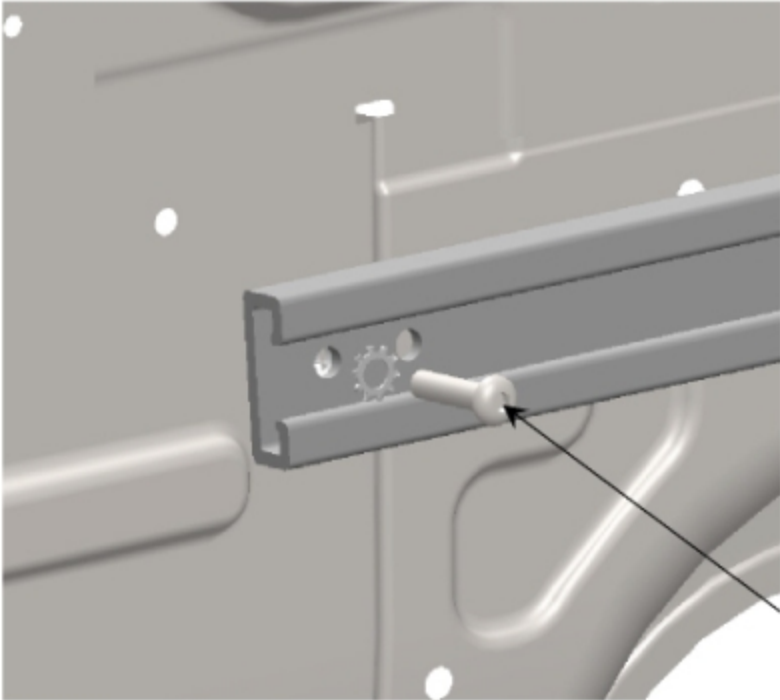


47078-G
D-PILLAR MTG PLATE

TRANSFER HOLES
OPEN HOLE UP TO 1/2" DIA
WITH DRILL STOP
ADD PLUSNUTS
FAS0091—5/16 PLUSNUT (2)

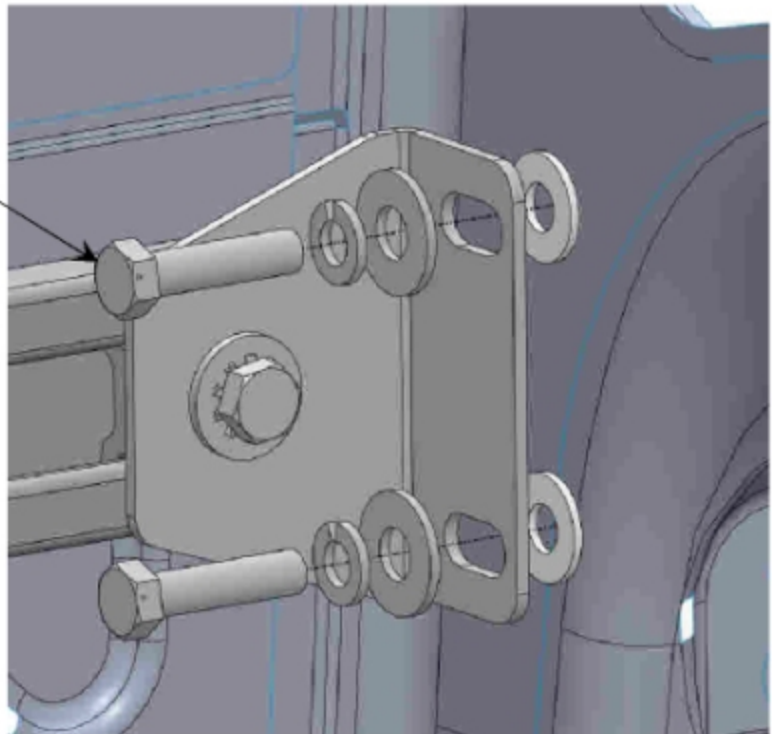
35335-0 SLIDE
FAS0165—HEX HEAD (1)
FAS0085—STAR WASHER (1)
FAS0086—FLAT WASHER (1)

STEP 3C - ADD CURB SIDE D-PILLAR MTG PLATE

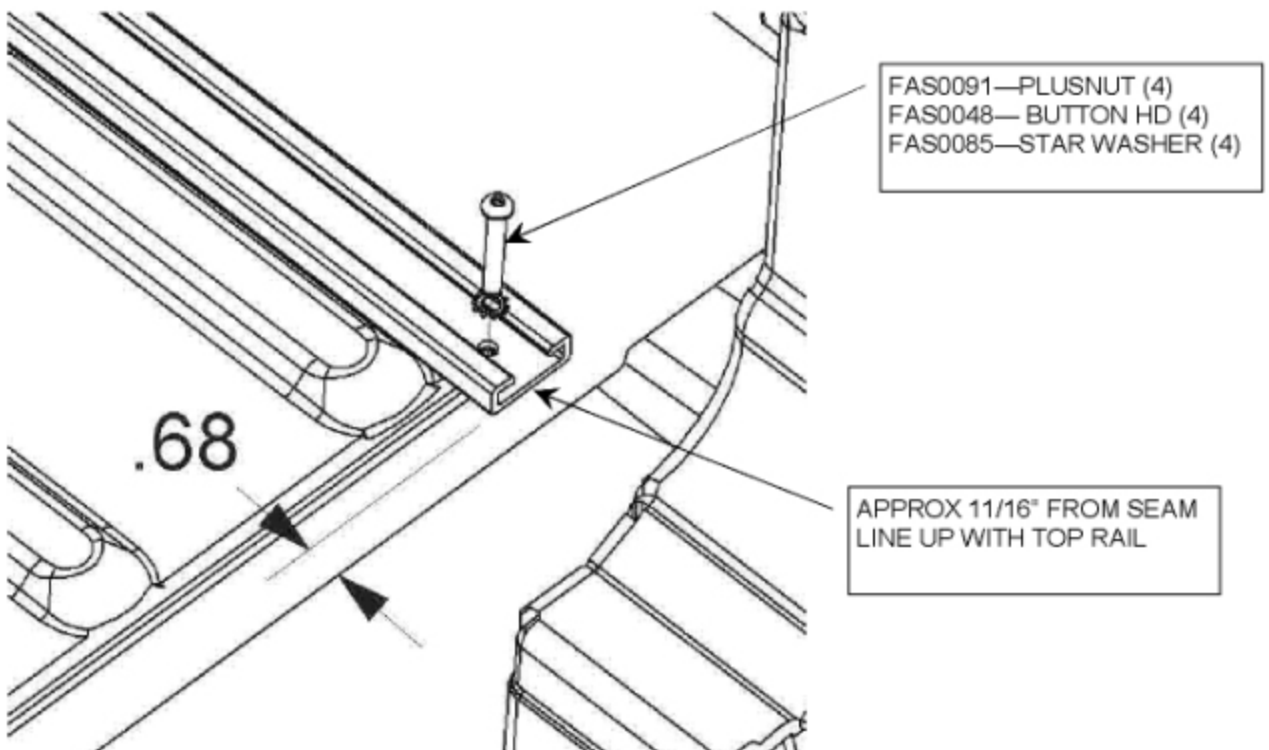
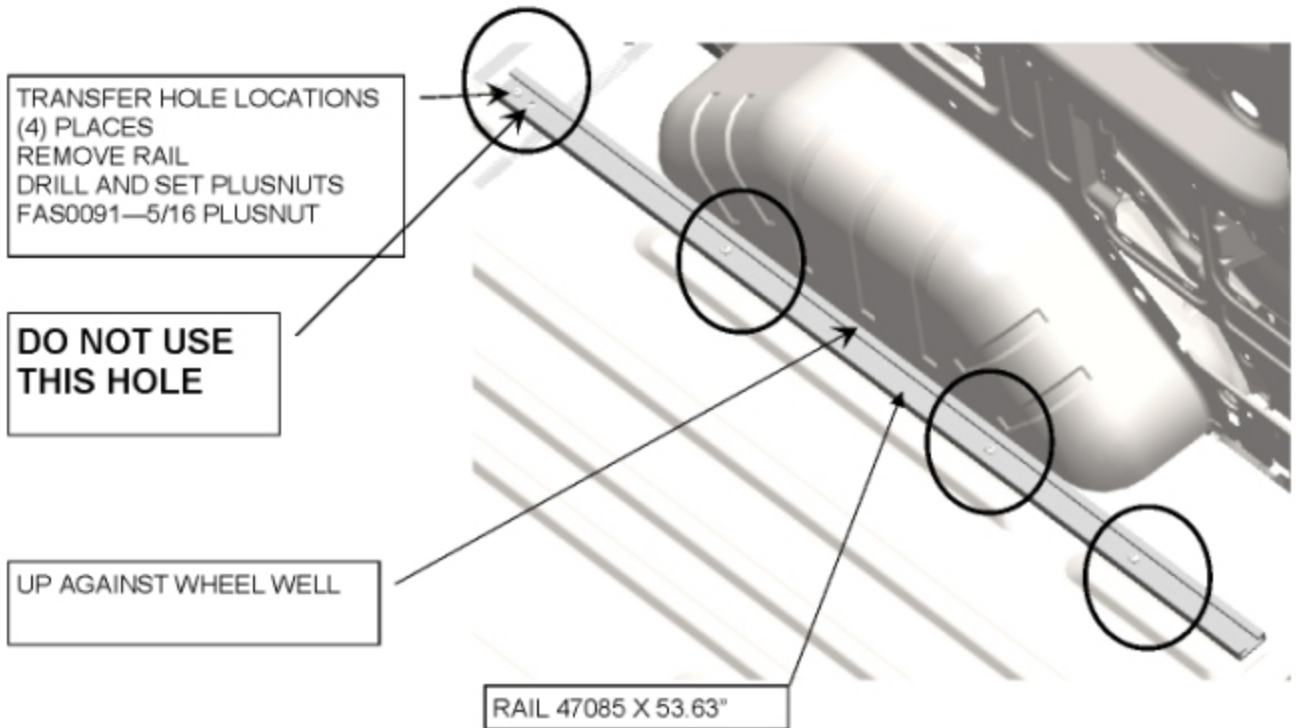


FAS0708— BUTTON HD (1)
FAS0085—STAR WASHER (1)

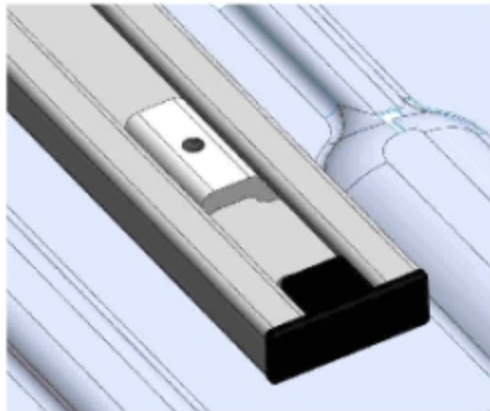
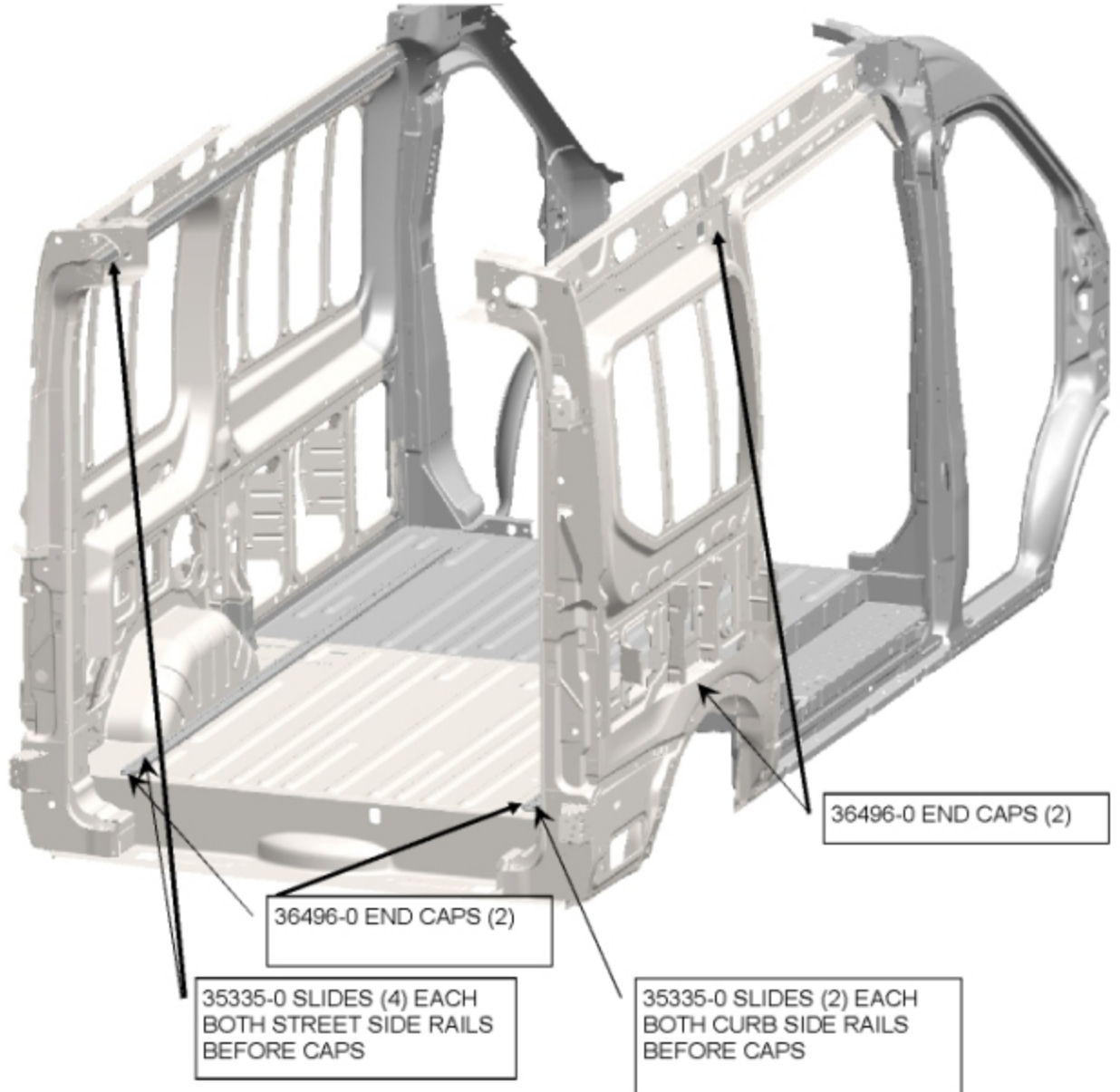
FAS0093— HEX HEAD (2)
FAS0098—LOCK WASHER (2)
FAS0086—FLAT WASHER (2)



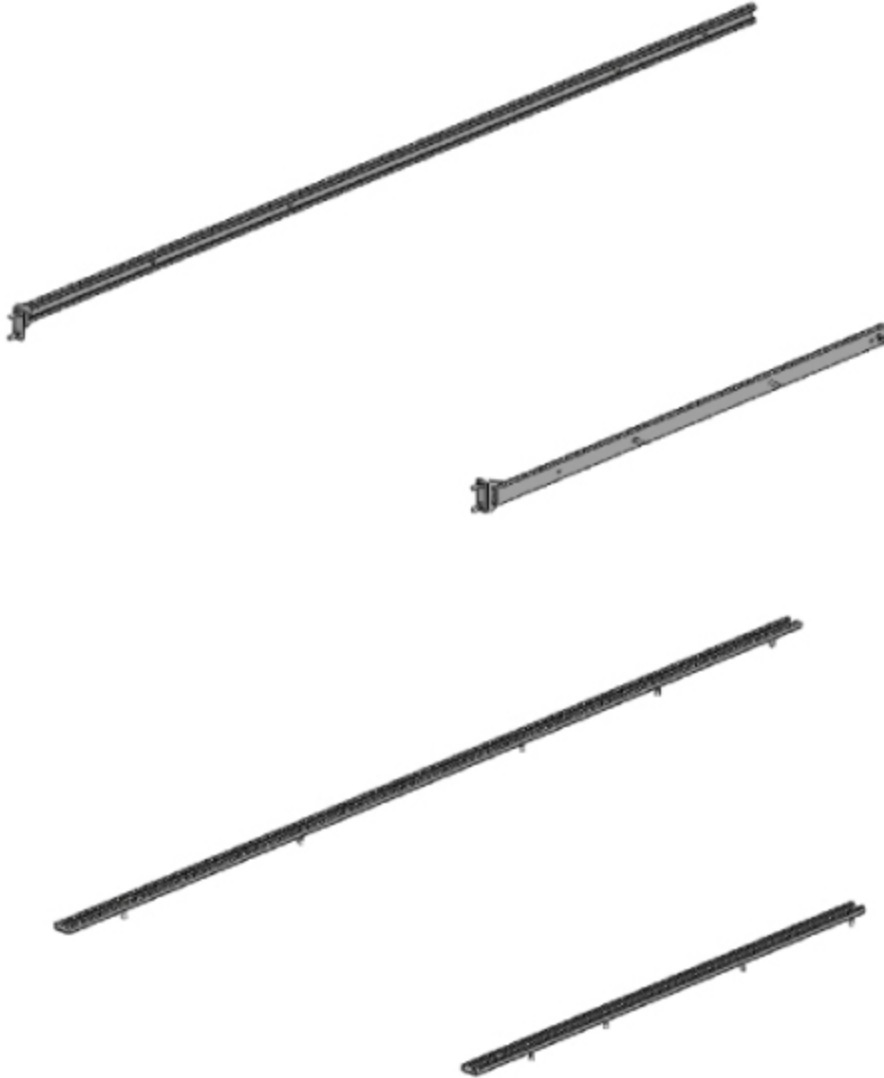
STEP 4 - ADD CURB SIDE FLOOR RAIL



STEP 5 - ADD SLIDES AND END CAPS TO RAILS



YOUR INSTALLATION IS NOW COMPLETE



**DOUBLE CHECK ALL FASTENERS LOCATIONS TO BE SURE THAT ALL
FASTENERS ARE TIGHTENED TO SPECIFICATIONS.
YOUR INSTALLATION IS NOW COMPLETE!
STOW THIS COPY IN THE VEHICLE FOR FUTURE REFERENCES!**