



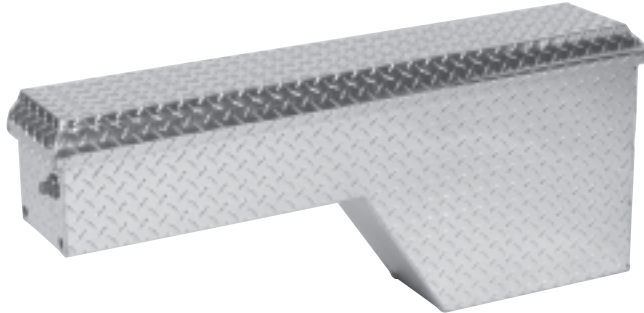
TRUCK AND VAN EQUIPMENT

OPERATORS MANUAL

STEEL & ALUMINUM PORK CHOP BOX

MODELS 160-X-01 THRU 173-X-01

WWW.WEATHERGUARD.COM



PRODUCT REGISTRATION

Model #: _____ Serial #: _____

For your convenience,
place product registration
tear-off sticker here

Purchase Date: _____

Place of Purchase: _____

Key Code: _____

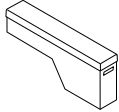


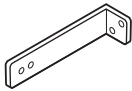
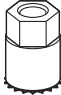

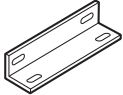
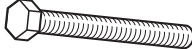




INSTALLATION TIME

Approximate installation time: 45 minutes (depending on truck equipment installation experience)

TOOLS REQUIRED

- Drill with 3/16", 3/8", and 1/2" drill bits
- 1/2" open or box end wrench (qty. 2)
- 9/16" open or box end wrench
- Hammer
- Center Punch
- Carpenter's square
- Pencil or marker
- Oil/Grease

PARTS LIST

(1) Pork Chop Box 	(3) 5/16" - 18 Blind Fastener 	(6) 5/16 - 18 Nylon Lock Nut 
(2) Mounting Angle 	(1) Blind Fastener Installation Tool 	(3) 5/16" Lock Washer 
(1) Floor Mounting Angle 	(1) 5/16" - 18 x 2 1/4" Black Oxide Hex Head Bolt 	(6) 5/16" - 18 x 1" Hex Head Bolt 
(14) 5/16" Flat Washer 	(3) 5/16" - 18 x 1 1/4" Hex Head Bolt 	(2) Floor Mounting Spacer 

-ATTENTION-

Read and understand all instructions and warnings before operating or using this product.



DANGER

Danger of explosion. Do not use this product for storing or transporting flammables, explosives, hazardous materials, or hazardous waste, such as containers of gasoline, solvents, gun powder, dynamite, propane tanks, acetylene tanks and cutting torches. This product is only intended and safe for use in storing and transporting small tools, equipment and other similar materials. Any modifications made to, or unintended use of this product, could create a hazardous condition that can cause death, serious personal injury or property damage.

CAUTION

Before marking the leg mounting holes, check inside the box for location of gas spring housing and components that may obstruct safe drilling.

CAUTION

To keep debris out of your eyes when checking the underside of the vehicle, or when drilling, always wear eyewear.

WARNING

Prior to drilling, so as not to cut or puncture fuel tanks, fuel lines, brake lines, electric wires, etc., check under vehicle for locations.

WARNING

All floor mounting bolts near the gas tank area should be installed from the underside of the vehicle, to guard against the gas tank being punctured in the event of a collision. This would mean not using Blind Fastener in this area. Holes drilled in this area should be 3/8".

INSTALLATION INSTRUCTIONS

Note:

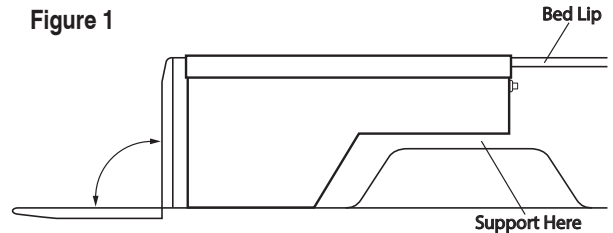
- If your pickup is fitted with a plastic drop-in bed liner, it may need to be drilled, trimmed, or cut for proper installation of truck box.
- Truck box cover may not properly latch until box is fully bolted to truck bed.
- Periodically check tightness of mounting bolts to insure proper attachment.
- Use touch-up paint on any drill holes to prevent oxidation.
- Install boxes with vehicle parked on level ground.

Step 1: LOCATE BOX IN TRUCK BED

- Place box into position with cover open.
- Support box as required during installation.
- Verify tailgate closes with floor mounting angle in position.
- Bottom of box should be flat on the floor.
- Side of box (not cover) should be approximately 1" from bed rail.

Note: Fasten box and leg mounting feet directly to bed floor, not bed liners or mats.

Figure 1



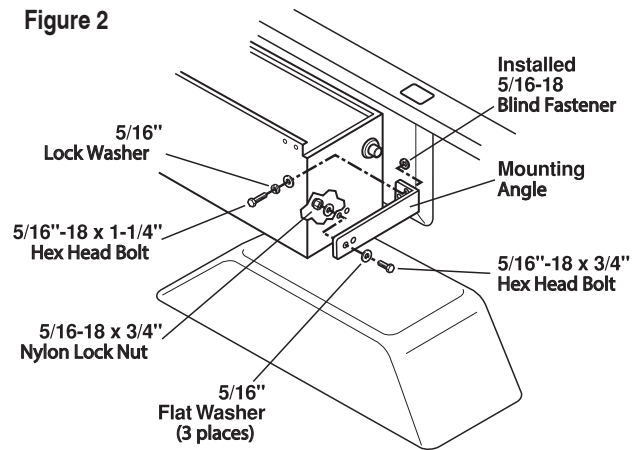
Step 2: ATTACH END MOUNTING ANGLE (see Fig. 2)

Note: This step may be omitted if you are able to use the alternate method in Fig. 4.

- Place Mounting Angle against end of box with foot touching stake pocket (or inner wall of truck bed).
- Mark one hole on the box and one hole on the truck.
- Center punch the holes to be drilled.
- Drill truck box and stake pocket (or inner wall) with 3/16" drill bit.
- Re-drill hole in truck box with 3/8" drill bit.
- Re-drill hole in stake pocket (or inner wall) with 1/2" drill bit.
- Install Blind Fastener (per Fig. 6) in stake pocket (or inner wall).
- Install mounting bracket per Fig. 2.

Note: Make sure there is enough hole depth before installing the Blind Fastener.

Figure 2



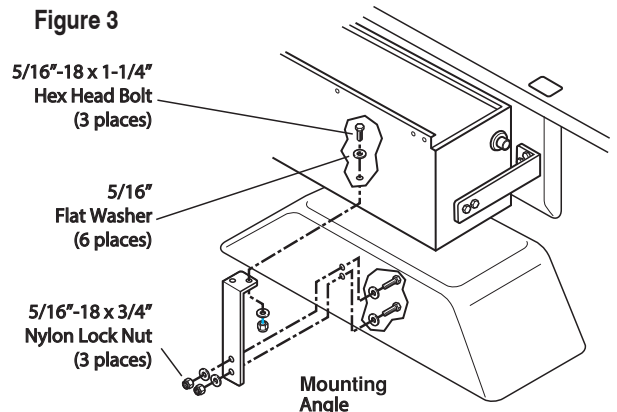
Step 3: ATTACH LOWER MOUNTING ANGLE (see Fig. 3)

Note: This step may be omitted if you are able to use the alternate method in Fig. 4.

- Place Mounting Angle under box and against wheel well (see Fig. 3)
- Mark one hole on bottom of box and both holes on wheel well.
- Center punch the holes to be drilled.
- Drill truck box and wheel well with 3/16" drill bit.
- Install mounting bracket per Fig. 3.

Note: Install bolts from underside when fastening Mounting Angle to wheel well.

Figure 3



Alternate Mounting Method Figure 4

Use if truck configuration allows box to rest directly on wheel well.

- Mark, center punch and drill 3/16" hole in bottom of box and top of wheel well as shown in Fig. 4.
- Re-drill holes with 3/8" drill bit.
- Install bolt per Fig. 4.

Note: Install bolts from underside when fastening Mounting Angle to wheel well.

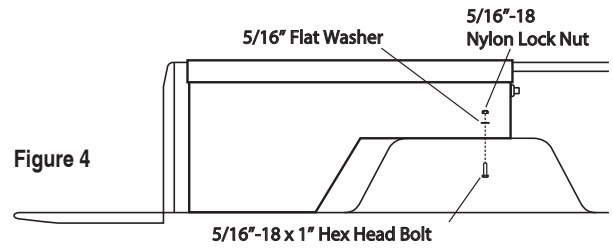


Figure 4

Step 4: ATTACH FLOOR MOUNTING ANGLE (see Figure 5)

- Place Floor Mounting Angle on floor, centered behind the box.
- Mark, center punch and drill all four holes with 3/16" drill bit.

Note: If holes in Floor Mounting Angle are not positioned above rib, use Floor Mounting Spacers provided.

- Re-drill holes in box with a 3/8" drill bit.
- Re-drill holes in truck bed with 1/2" drill bit.
- Install Blind Hole Fasteners in truck bed per Fig. 6
- Install Floor Mounting Angle per Fig. 5.

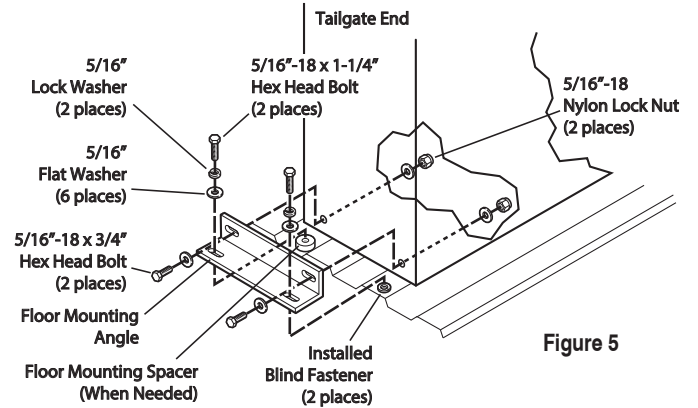


Figure 5

BLIND FASTENER INSTALLATION

Note: Make sure there is enough hole depth before installing the Blind Fastener.

Note: Black Oxide Bolt, Flat Washer, and Installation Tool are only used to install Blind Fasteners.

- Install Blind Fastener using Fig. 6 as a guide.
- Place a drop of oil on black oxide bolt for lubrication.
- Insert Blind Fastener in the hole.
- Hold the "Installation Tool" with a 9/16" wrench while turning the "Black Oxide Bolt" with a 1/2" wrench until fully seated.
- Turning "Black Oxide Bolt" will be hard until fastener "bulbs" out.
- When Blind Fastener is fully seated, continue with installation.

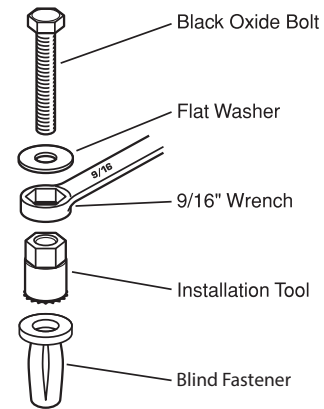


Figure 6

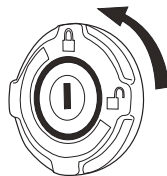
FEATURE OPERATION

LOCK SYSTEM

The WEATHER GUARD® Extreme Protection™ Lock is designed to provide maximum security, while providing ease of use and years of reliable service. When in the locked mode, the button remains retracted in a tamper-resistant position. When the button is pressed in the unlock mode, the latch is activated and the cover opens.

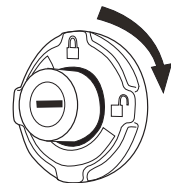
LOCK

Turn key counterclockwise to locked position as indicated on lock bezel. When the button is now pressed, it will stay in the retracted or tamper-resistant position until unlocked.



UN-LOCKED

Turn key clockwise to unlock position as indicated on the lock bezel. Button will pop out and is now ready to release the latches when pressed.



LATCH SYSTEM

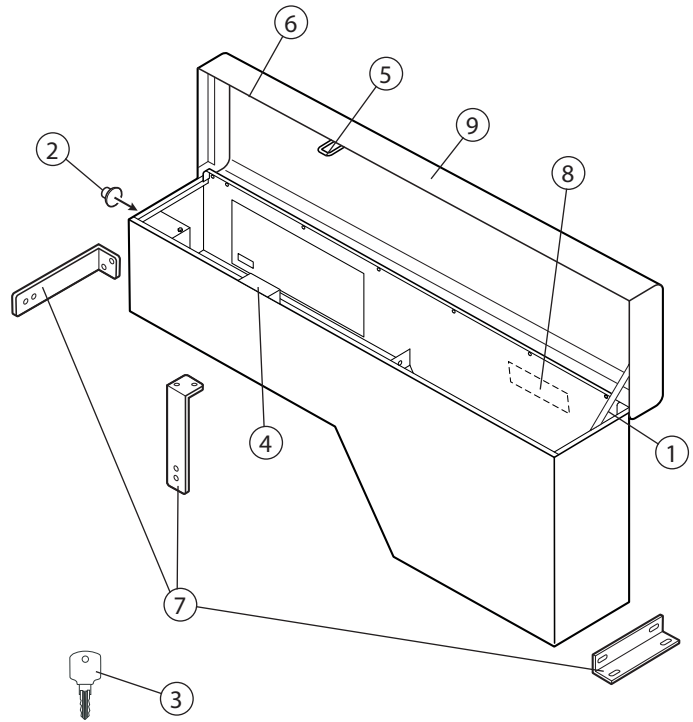
The WEATHER GUARD® Latch System utilizes an automotive grade latch in conjunction with a high strength latch striker to ensure maximum security. The WEATHER GUARD® Latch System is designed to open with a single touch of the button, and close securely. Expect years of reliable service from the WEATHER GUARD® Latch System with only minimal maintenance: Bi-annually lubricate latch pivot points with white grease. If latch striker is accidentally knocked out of alignment, simply use a mallet to re-align.

SERVICE PARTS

FOR REPLACEMENT PARTS GO TO WWW.WEATHERGUARD.COM

ITEM NO.	PART NO.	DESCRIPTION	FITS MODEL #
1	7095	Gas Spring	170-X-01, 171-X-01, 172-X-01, 173-X-01
1	7096	Gas Spring	162-X-01, 163-X-01
2	7748-xx	Lock & Key Set (xx = key code) (1 lock, 2 keys, retainer clip)	All Pork Chop
3	7750-xx	Key Replacement (xx = key code) (2 keys)	All Pork Chop
4	7731	Latch & Striker Kit (1 latch, 1 striker, & mounting hardware)	All Pork Chop
5	7106	Striker Kit (1 Striker & mounting hardware)	All Pork Chop
6	7730	Weather Strip Kit (various styles for 1 box)	All Pork Chop
7	7735-x	Mounting Kit	All Pork Chop
8	7746	Nameplate Kit (3 stickers, 2 side bezels, 1 back bezel)	All Pork Chop
9	7788-x	Cover	170-X-01
9	7789-x	Cover	171-X-01
9	7790-x	Cover	172-X-01
9	7795-x	Cover	173-X-01
9	7926-x	Cover	160-X-01
9	7927-x	Cover	161-X-01
9	7928-x	Cover	162-X-01
9	7932-x	Cover	163-X-01
10	70740	Latch Rod Kit (Not shown)	160-X-01, 162-X-01, 170-X-01, 172-X-01
10	7741	Latch Rod Kit (Not shown)	161-X-01, 163-X-01, 171-X-01, 173-X-01

Note: In the model numbers above, X represents the color code for your model;
0 = Clear, 3= White, 5 = Black



-NOTICE-

Any modification or unintended use of this product shall immediately void all manufacturers warranties. Manufacturer disclaims all liability for injuries to persons or property resulting from any modification to, or unintended use of this product.

LIMITED WARRANTY

This LIMITED WARRANTY is made by Knaack LLC, 420 E. Terra Cotta Ave., Crystal Lake, Illinois to the original retail purchaser of KNAACK® or WEATHER GUARD® products.

KNAACK LLC WARRANTS THAT KNAACK® OR WEATHER GUARD® PRODUCTS WILL BE FREE FROM DEFECTS IN MATERIAL AND WORKMANSHIP FOR A PERIOD OF THREE (3) YEARS FROM DATE OF PURCHASE BY THE ORIGINAL RETAIL PURCHASER.

If, before the expiration of the Warranty period, purchaser discovers that the KNAACK® or WEATHER GUARD® product fails to fulfill the Warranty, purchaser shall contact Knaack LLC to make arrangements for an inspection of the product. If Knaack LLC determines a defect exists, Knaack LLC shall, at its option and expense, repair or replace any defective part. All Warranty repairs shall be made by an authorized KNAACK® Product dealer or Knaack LLC approved service company.

This Warranty shall not apply if the KNAACK® or WEATHER GUARD® product has been subjected to misuse, abnormal service or handling, improper maintenance, or alterations made by anyone other than a KNAACK® or WEATHER GUARD® Product dealer or a Knaack LLC approved service company.

THE WARRANTY PRINTED ABOVE IS THE ONLY WARRANTY APPLICABLE TO THIS PURCHASE. ALL OTHER WARRANTIES, EXPRESS OR IMPLIED, INCLUDING BUT NOT LIMITED TO THE IMPLIED WARRANTIES OF MERCHANTABILITY AND FITNESS FOR A PARTICULAR PURPOSE ARE HEREBY DISCLAIMED.

KNAACK LLC SHALL NOT BE LIABLE FOR ANY INCIDENTAL OR CONSEQUENTIAL DAMAGES ARISING OUT OF ANY BREACH OF THIS WARRANTY. NOR SHALL THE DAMAGES EXCEED THE RETURN AMOUNT OF THE PURCHASE PRICE PAID BY THE ORIGINAL PURCHASER.

This Warranty is in lieu of all Warranties express or implied. The terms of this Warranty shall not be modified by any party, their successors or assigns. This Warranty gives you specific legal rights, and you may also have other rights which vary from state to state.

Product fits based on vehicle design available at the revision date. Vehicle manufacturers may change specs after the revision date, so if you have a vehicle produced with a model year date after the revision date, please contact your distributor or Knaack LLC to verify fitting of product to vehicle.

WEATHER GUARD® Products are protected by one or more of the following patents: U.S. 5145087, 5308126, 4509787, 4573731, 4618083, D-346355, D-346994, D-353574; Canada 1218968, 1224230, 1235100 and; U.K. 2233036. Other patents pending.

KNAACK LLC

420 E. Terra Cotta Ave, Crystal Lake, IL 60014, 815-459-6020, info@knaack.com

©2014 Knaack LLC

