

FASTENER GROUPS LISTED BELOW ARE USED FOR ASSEMBLY AND INSTALLATION. **SOME ASSEMBLY DRILLING IS REQUIRED.** PARTITION INSTRUCTIONS & FASTENERS ARE WITH THAT UNIT. USE KD UNIT DRAWINGS TO IDENTIFY THEIR SEPARATE PARTS. CUSTOMER SPECIFIED SHELF DIMENSIONS ARE SHOWN HERE.

SYM.	FASTENERS	QTY	DRILL
●	ASSEMBLY FASTENERS		
●	{ 1/4-20 x 1/2" THP.SCW.	(32)	9/32
●	{ 1/4-20 HX. FLANGE NUT	(32)	
●	{ 1/4-20 x 3/4" HX.HD.SCW.	(4)	9/32
●	{ 1/4-20 HX. FLANGE NUT	(8)	
●	INSTALLATION FASTENERS		
●	{ 1/4-20 PLUSNUT "PB"	(4)	13/32
●	{ 1/4-20 x 1" HH.SCW.FT	(4)	
●	{ 1/4 PLN WASH	(4)	13/32
●	{ 1/4 SPLIT RING L'WASHER	(4)	
●	{ 1/4-20 PLUSNUT "PB"	(3)	13/32
●	{ 1/4-20 x 1-1/2" HH.SCW.FT	(3)	
●	{ 1/4 PLN WASH	(3)	9/32
●	{ 1/4 SPLIT RING L'WASHER	(3)	
●	{ 1/4 PLN. WASHER	(6)	9/32
●	{ 1/4-20 HX.STOP NUT	(3)	
●	{ 1/4-20 x 1-1/2" HH.SCW.FT	(3)	
●	{ 1/2 PLN. WASHER	(3)	
	PLUSNUT TOOL	(1)	

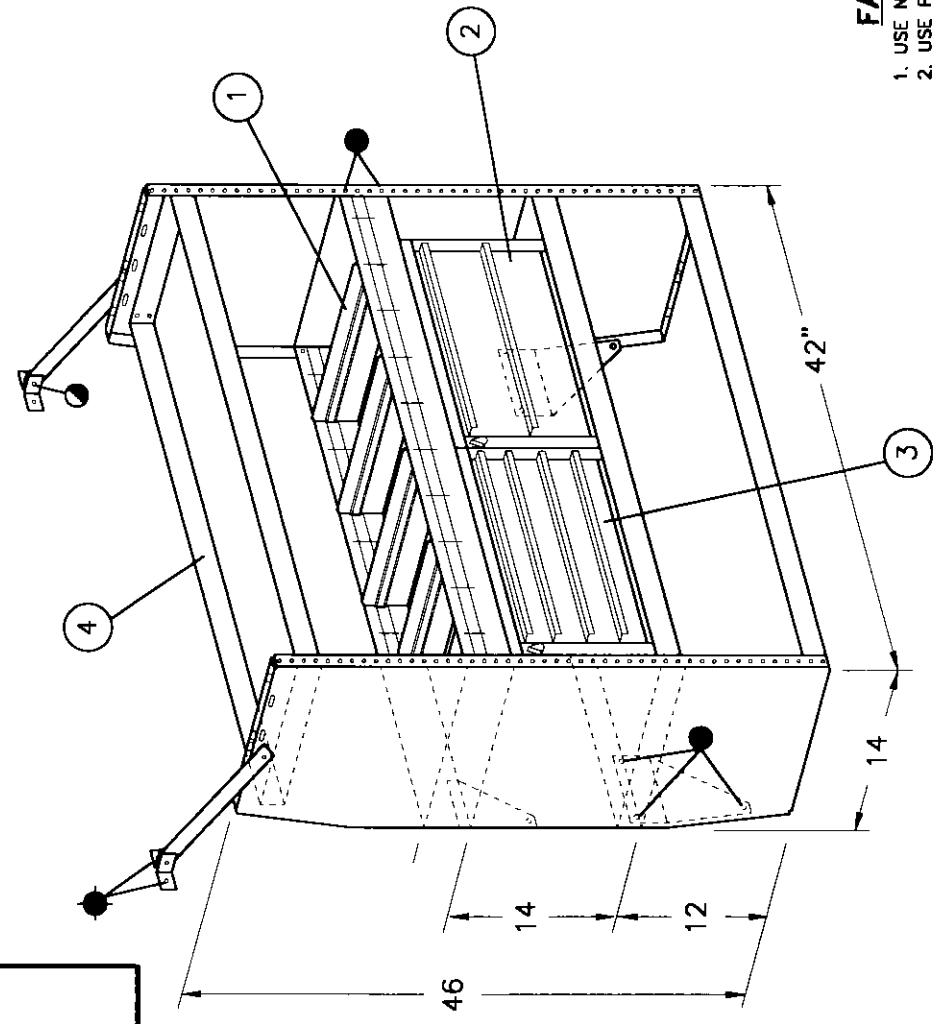
**ADRIAN STEEL CO.**  
908 JAMES STREET  
ADRIAN, MI 49221  
517/265-6194

**MD530 MODULE SPECIAL**  
**HD KD SHELF UNIT**  
14 x 46 x 42

DWG BY: ECN# 7398 DATE 6/04/04 CHK'D BY: RLA  
PACKAGE WEIGHT- 128.45 # REV: 20304

ITEM	PART NO.	DESCRIPTION	QTY.
1	DV14	DIVIDER/PNTD; #50KD	4
2	19	2-DRAWER MEDIUM	1
3	9	4-DRAWER SHALLOW	1
4	29263	KD UNIT SPEC 14x46x42 HD	1
	EP1446	END PANEL KD 46"	2
	FR42	FLOOR RAIL 42"	1
	GS6x10LH	GUSSET LH #50-#30 KD's	1
	GS6x10RH	GUSSET RH #50-#30 KD's	1
	GS6x6	GUSSET,6" TRIANGLE	2
	MB118	MOUNT ANGLE 1-1/2" / GAL	4
	MB120	STRAP BRKT.13-1/2" / GAL	2
	SF21242	SHELF 2x12x42	1
	SF21442	SHELF 30/50KD 2x14x42	1
	SF41442	SHELF HD-KD 4x14x42	1

HEIGHT FROM FLOOR TO LOWEST SHELF WILL VARY DEPENDING ON THE HEIGHT OF YOUR VEHICLES WHEELHOUSE.  
PLEASE REFER TO THE INTERIOR INSTALLATION SHEET FOR CORRECT SHELF HEIGHT BEFORE ASSEMBLY.  
LOWER SHELF IS TO BE INVERTED AS SHOWN. SOME DRILLING IS REQUIRED TO ATTACH LOWER GUSSETS.



**FASTENING PROCEDURES**

1. USE NUT & BOLT THRU WHEREVER POSSIBLE.
2. USE PLUSNUTS FOR BLIND FASTENING.
3. USE SHEET METAL SCREWS IN SHEAR ONLY.

**CAUTION:**  
DRILL THRU FLOOR WITH CARE  
WATCH FOR GAS TANK, CONTROL  
LINES, & ELECTRICAL WIRING.