



TRUCK AND VAN EQUIPMENT

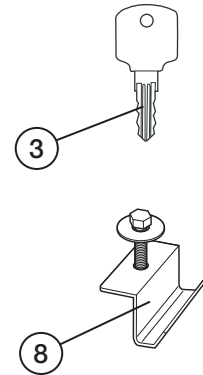
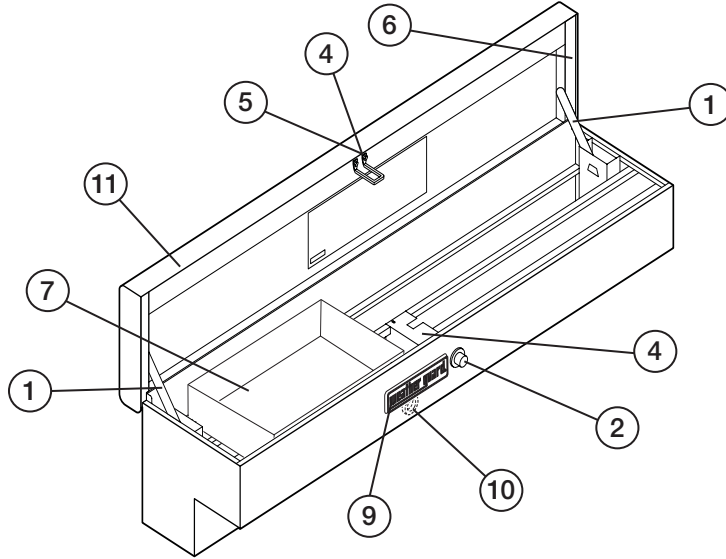
REPLACEMENT PARTS

STEEL & ALUMINUM LO-SIDE BOX
MODELS 164-0-01 THRU 186-3-01

FOR REPLACEMENT PARTS GO TO WWW.WEATHERGUARD.COM

For Customer Service
call toll free:
1-800-456-7865

Parts service current models listed below as Model#-Color-01 Series which began in 2005.



ITEM	PART No.	DESCRIPTION	FITS MODEL #
1	7902-2PK	Gas Springs	165-3-01, 176-3-01, 176-5-01
1	7095-2PK	Gas Springs	164-0-01, 164-5-01, 174-0-01, 174-5-01, 175-3-01, 184-0-01, 184-5-01, 185-3-01, 186-3-01
1	7096-2PK	Gas Springs	166-3-01
2	7748-1PK	EXTREME PROTECTION™ Replacement Lock (Single lock with keys, no specific key code)	All Model#-Color-01 Series Lo-Side Boxes. Specific key codes can be ordered through a distributor.
3	7750-XX	Key Replacement (xx = key code) (2 keys)	For retracting style Red Pushbutton locks
4	7732	Latch & Striker Kit (1 latch, 1 striker, & mounting hardware)	All Model#-Color-01 Series Lo-Side Boxes
5	7106-1PK	Striker Plate Kit (1 Striker and mounting hardware)	All Model#-Color-01 Series Lo-Side Boxes
6	7730	Weather Strip Kit (various styles for 1 box)	All Lo-Side Boxes
7	911	Tray	All Model#-Color-01 Series Lo-Side Boxes
8	7734-3	Mounting Kit (2 clamps, 2 legs, 1 angle, 2 mount pads, related hardware)	165-3-01, 166-3-01, 175-3-01, 176-3-01, 185-3-01, 186-3-01
8	7734-5		164-0-01, 164-5-01, 174-0-01, 174-5-01, 176-5-01, 184-0-01, 184-5-01
9	7746	Nameplate Kit (3 stickers, 2 side bezels, 1 front bezel & rivets)	All Model#-Color-01 Series Lo-Side Boxes
10	7749	Grommet Kit	All Model#-Color-01 Series Lo-Side Boxes
11	7785-0*	Cover	164-0-01
11	7785-5*	Cover	164-5-01
11	7786-0*	Cover	174-0-01
11	7786-5*	Cover	174-5-01
11	7787-0*	Cover	184-0-01
11	7787-5*	Cover	184-5-01
11	7887-3	Cover	165-3-01
11	7938-0*	Cover	164-0-01
11	7938-5*	Cover	164-5-01
11	7939-0*	Cover	174-0-01
11	7939-5*	Cover	174-5-01
11	7941-0*	Cover	184-0-01
11	7941-5*	Cover	184-5-01
11	7887-3	Cover	165-3-01
11	7905-3	Cover	166-3-01
11	7906-3	Cover	175-3-01
11	7912-3	Cover	176-3-01
11	7912-5	Cover	176-5-01
11	7914-3	Cover	185-3-01
11	7925-3	Cover	186-3-01

* Check Serial Number on product to get the proper cover. All product with Serial Number 052351XXXX use 7900 series covers. All product with Serial Number 052341XXXX and below use 7700 series covers.

NOTE: Covers include Weather Strip, Striker Loop Plate, Wire-form Striker, Bolt Kit, Taptite® Screws, Hinge, and Instruction Sheet.

Please note, in the model numbers above: 0 = Clear, 3 = White, 5 = Black. XX = Key Code.