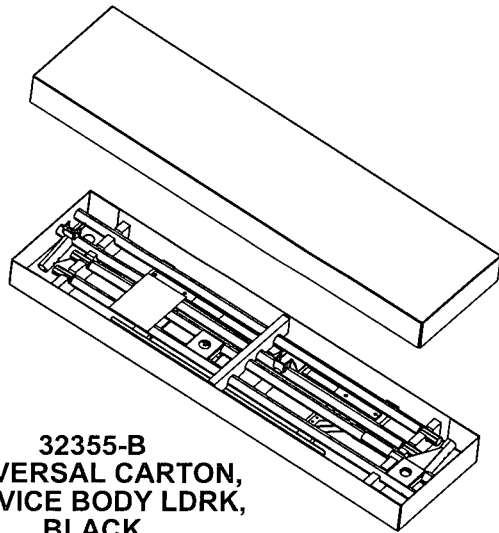
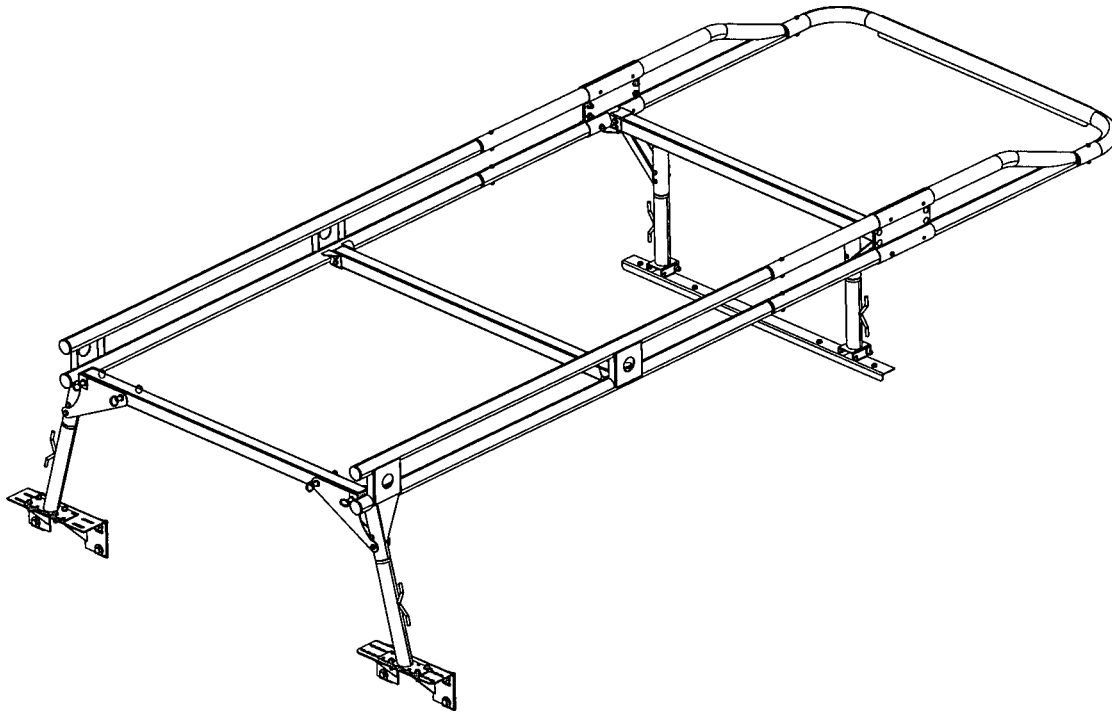
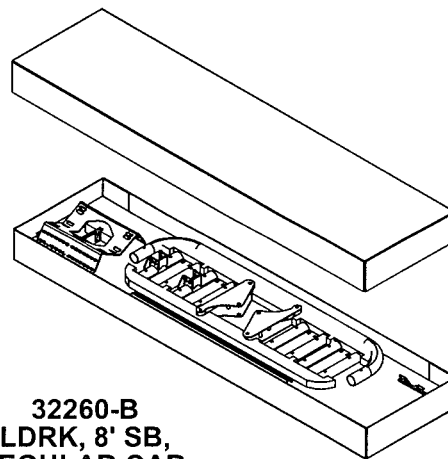


REVISION LEVEL  
**A**

Part Number  
**SBLR-8FR**



**32355-B  
UNIVERSAL CARTON,  
SERVICE BODY LDRK,  
BLACK**



**32260-B  
LDRK, 8' SB,  
REGULAR CAB,  
BLACK**

**FOR REFERENCE ONLY!**

SH 1 OF 1

THIS PRODUCT IS SUBJECT TO CHANGE.  
ADRIAN STEEL COMPANY RESERVES THE RIGHT TO  
CHANGE THE PRODUCT OF IT'S DESIGN WITHOUT  
PRIOR NOTICE.

Shipping Wt. (Lbs )  
**0.0000**

THIS DRAWING IS THE PROPERTY OF ADRIAN STEEL COMPANY  
AND IS NOT TO BE USED IN ANY MANNER DETRIMENTAL TO  
THE INTERESTS OF ADRIAN STEEL COMPANY.

Coating/Finish

**None**

**Do Not Scale This Drawing!**

**ADRIAN STEEL**  
VAN AND PICKUP EQUIPMENT  
906 James St.  
Adrian, MI 49221  
517 265.6194

Part Description **LDRK, 8' SBDY, REG CAB**

Part Number **SBLR-8FR**

REVISION LEVEL **A**