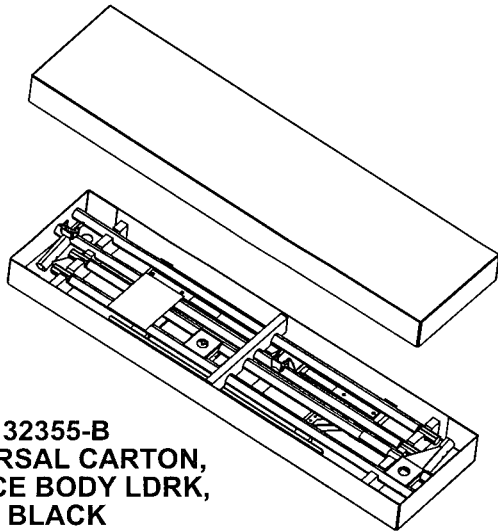
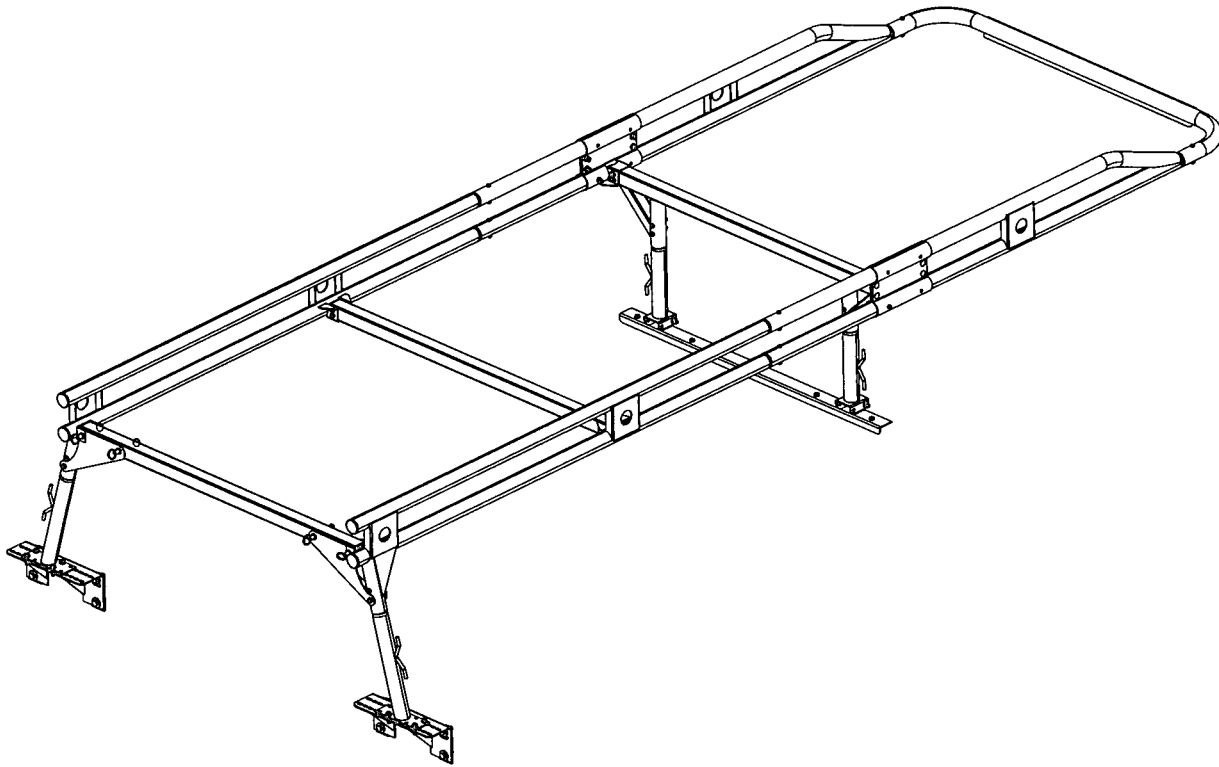
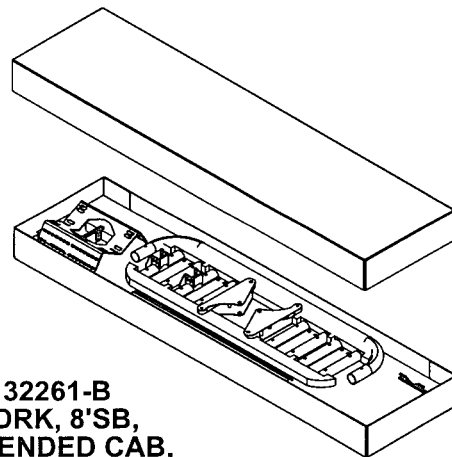


REVISION LEVEL  
**A**

Part Number  
**SBLR-8FE**



**32355-B  
UNIVERSAL CARTON,  
SERVICE BODY LDRK,  
BLACK**



**32261-B  
LDRK, 8'SB,  
EXTENDED CAB,  
BLACK**

**FOR REFERENCE ONLY!**

SHEET 1 OF 1

THIS PRODUCT IS SUBJECT TO CHANGE.  
ADRIAN STEEL COMPANY RESERVES THE RIGHT TO  
CHANGE THE PRODUCT OF IT'S DESIGN WITHOUT  
PRIOR NOTICE.

Shipping Wt. (Lbs.):  
**0.0000**

THIS DRAWING IS THE PROPERTY OF ADRIAN STEEL COMPANY  
AND IS NOT TO BE USED IN ANY MANNER DETRIMENTAL TO  
THE INTERESTS OF ADRIAN STEEL COMPANY.

Coating/Finish  
**None**

**Do Not Scale This Drawing!**

**ADRIAN STEEL**  
VAN AND PICKUP EQUIPMENT  
906 James St.  
Adrian, MI 49221  
517.265.6194

Part Description **LDRK, 8' SBDY, EXT CAB**

Part Number **SBLR-8FE**

REVISION LEVEL **A**