

FBM-1015

2016 Mercedes Metris Universal Base Mount Module

Dimensional Specifications on Pages 2-5

Configuration as shown:

Three Crossbar Mounting, Powder Coat Finish
Kit Weight: 14 lbs

FBM-1015-BLK (Black)

A: CHL-1170-BLK 64" Channel Pair x1
B: CHL-1171-BLK 15" Channel Pair x1
C:HKT-8049 Hardware, 3 Crossbars x1

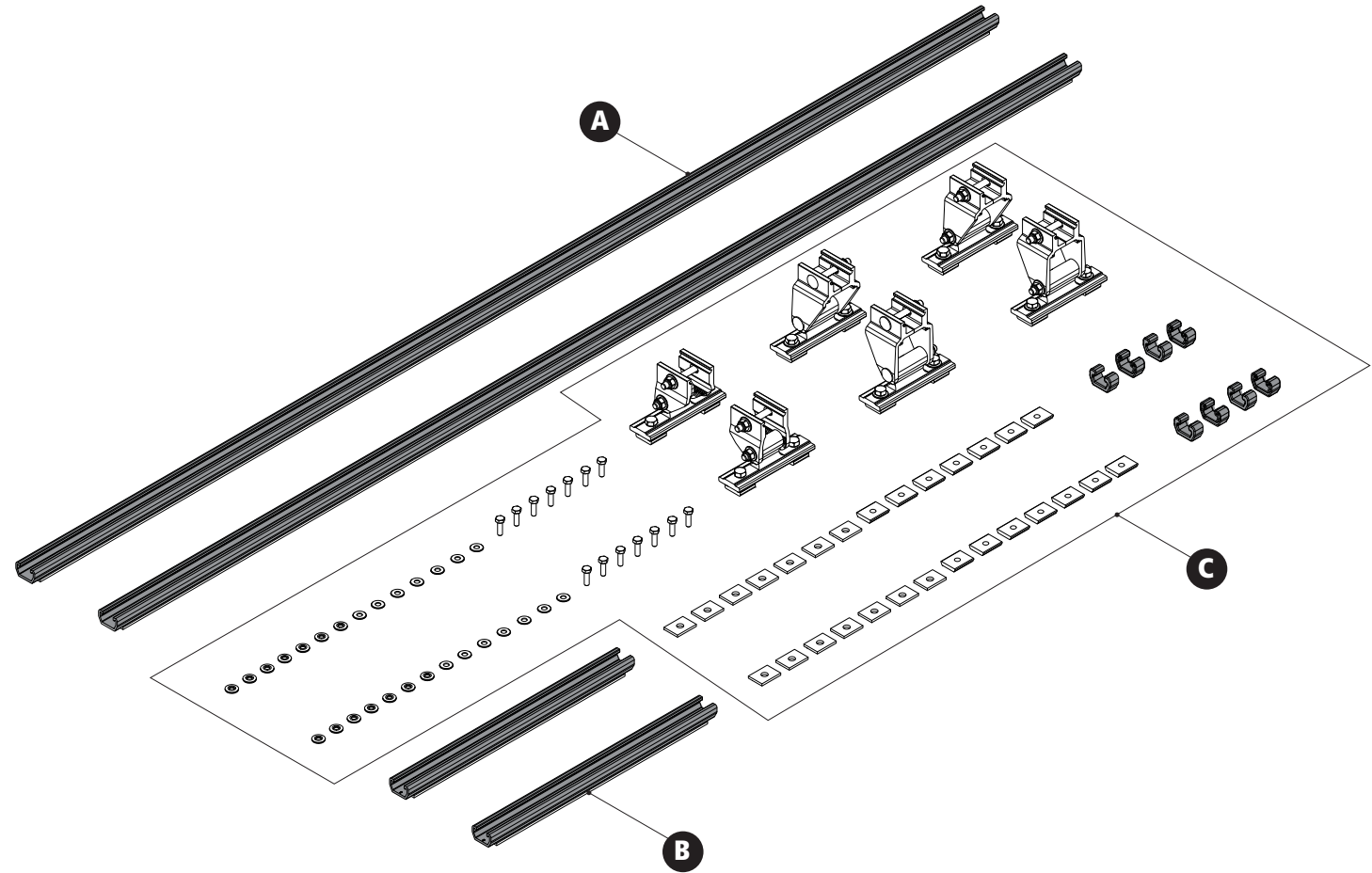
FBM-1015 (White)

A: CHL-1170 64" Channel Pair x1
B: CHL-1171 15" Channel Pair x1
C:HKT-8049 Hardware, 3 Crossbars x1

[Modular Assembly Manuals](#)

**Note: This Overview contains information covering two and three Crossbar configurations. If your model is a two Crossbar configuration, disregard all Center Crossbar Hardware and dimensions.*

**Three Crossbar Mountings; Black and White Available*



FBM-1015

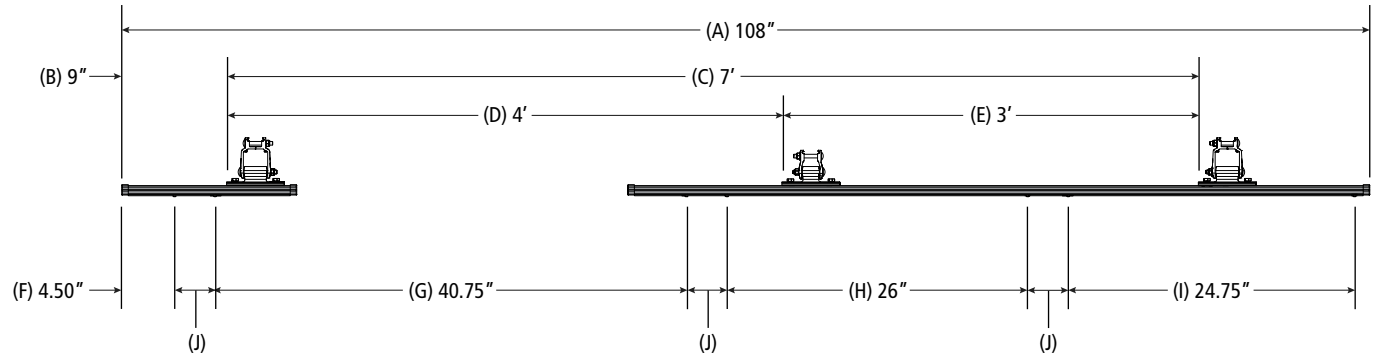
2016 Mercedes Metris Universal Base Mount Module

Approximate dimensions as shown:

- A: Rack Length 108"
- B: Channel Mount Offset (Rear) 9"
- C: Overall Crossbar Spacing 7'
- D: Crossbar Spacing R/C 4'
- E: Crossbar Spacing C/F 3'
- F: Channel Mount Offset (Rear) 4.50"
- G: Mount Spacing R/F (Rear) 40.75"
- H: Mount Spacing R/F (Center) 26"
- I: Mount Spacing R/F (Front) 24.75"
- J: Bolt Spacing 3.50"



Channel Rear



Assembly Manual also available:

[FBM-1015-BLK](#)

[FBM-1015](#)

USOV-FBM1015-US01 Rev-A 0820

FBM-1015

2016 Mercedes Metris Universal Base Mount Module

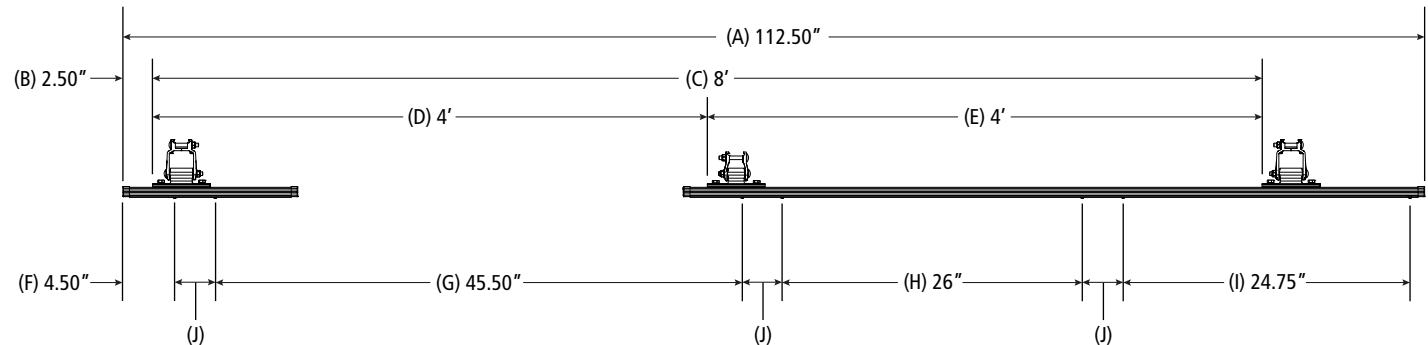
Approximate dimensions as shown:

- A: Rack Length..... 112.50"
- B: Channel Mount Offset (Rear)..... 2.50"
- C: Overall Crossbar Spacing..... 8'
- D: Crossbar Spacing R/C..... 4'
- E: Crossbar Spacing C/F..... 4'
- F: Channel Mount Offset (Rear)..... 4.50"
- G: Mount Spacing R/F (Rear)..... 45.50"
- H: Mount Spacing R/F (Center)..... 26"
- I: Mount Spacing R/F (Front)..... 24.75"
- J: Bolt Spacing..... 3.50"

*Ergorack L3 (135") Configuration



Channel Rear



Assembly Manual also available:

[FBM-1015-BLK](#)

[FBM-1015](#)

FBM-1015

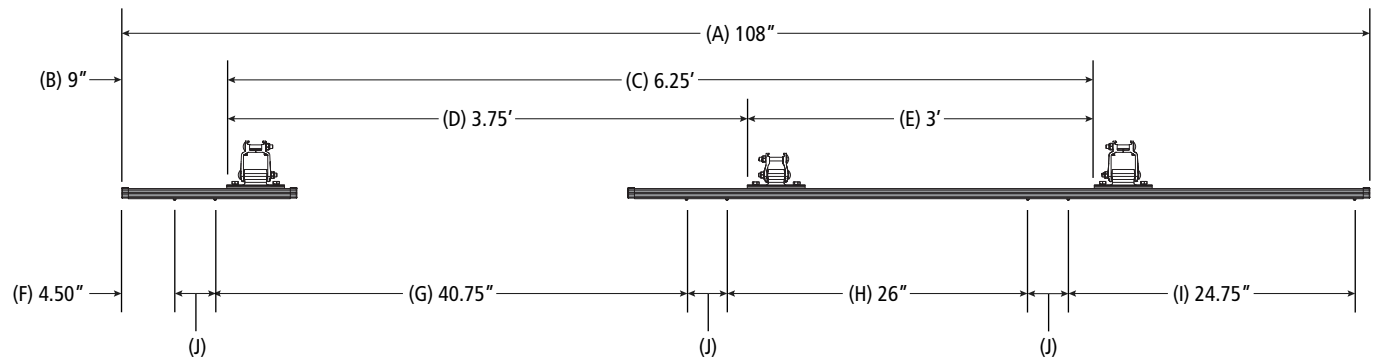
2016 Mercedes Metris Universal Base Mount Module

Approximate dimensions as shown:

- A: Rack Length..... 108"
- B: Channel Mount Offset (Rear)..... 9"
- C: Overall Crossbar Spacing..... 6.25'
- D: Crossbar Spacing R/C..... 3.75'
- E: Crossbar Spacing C/F..... 3'
- F: Channel Mount Offset (Rear)..... 4.50"
- G: Mount Spacing R/F (Rear)..... 40.75"
- H: Mount Spacing R/F (Center)..... 26"
- I: Mount Spacing R/F (Front)..... 24.75"
- J: Bolt Spacing..... 3.50"



Channel Rear



Assembly Manual also available:

[FBM-1015-BLK](#)

[FBM-1015](#)

USOV-FBM1015-US01 Rev-A 0820

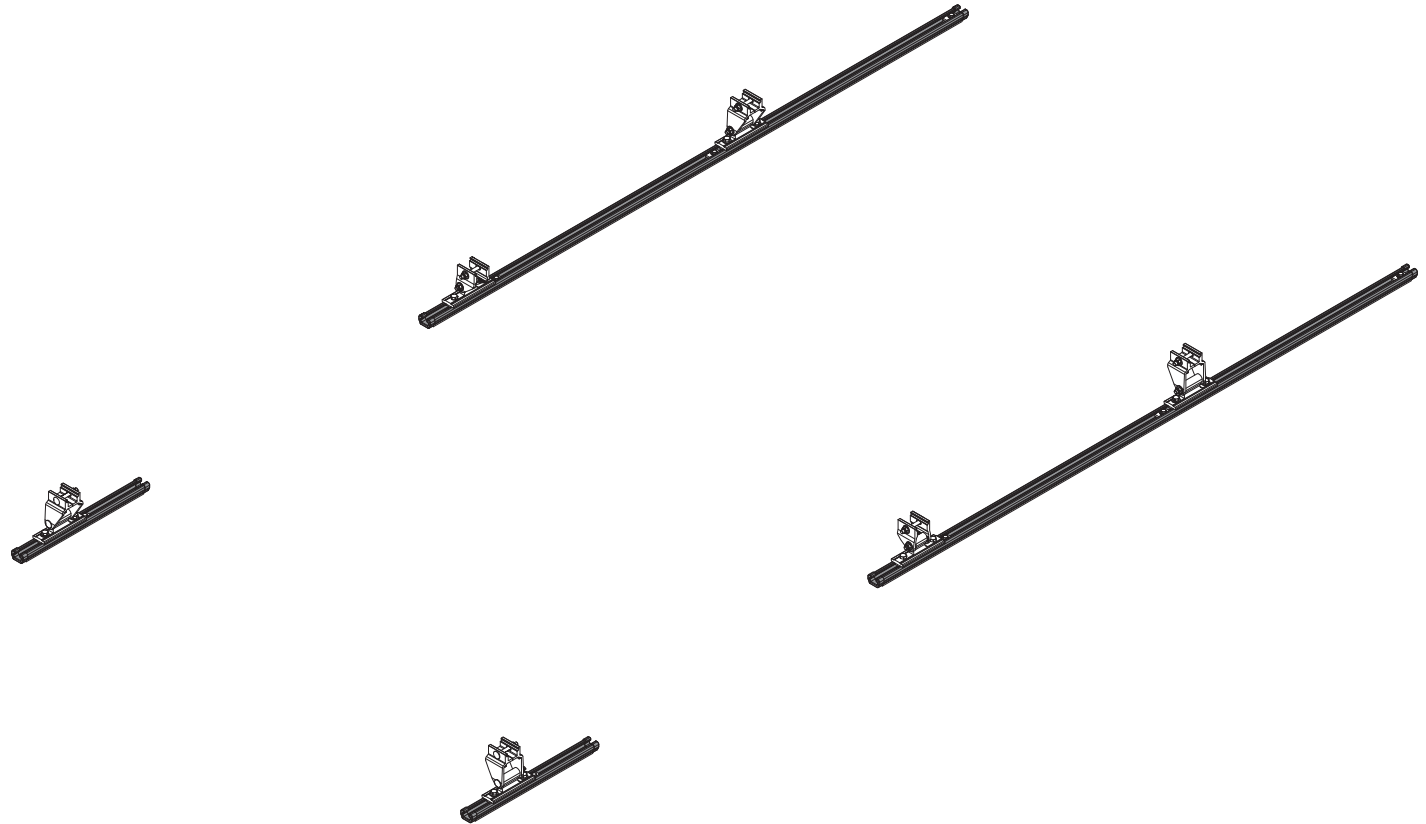
FBM-1015

2016 Mercedes Metris Universal Base Mount Module

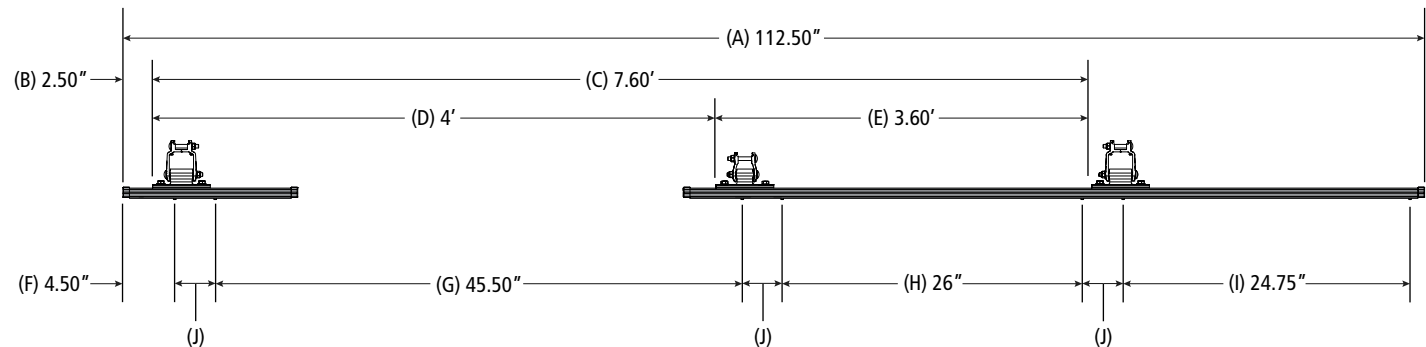
Approximate dimensions as shown:

A: Rack Length.....	112.50"
B: Channel Mount Offset (Rear).....	2.50"
C: Overall Crossbar Spacing.....	7.60'
D: Crossbar Spacing R/C.....	4'
E: Crossbar Spacing C/F.....	3.60'
F: Channel Mount Offset (Rear).....	4.50"
G: Mount Spacing R/F (Rear).....	45.50"
H: Mount Spacing R/F (Center).....	26"
I: Mount Spacing R/F (Front).....	24.75"
J: Bolt Spacing.....	3.50"

*AuRack L3 (135") Configuration



Channel Rear



Assembly Manual also available:

[FBM-1015-BLK](#)

[FBM-1015](#)