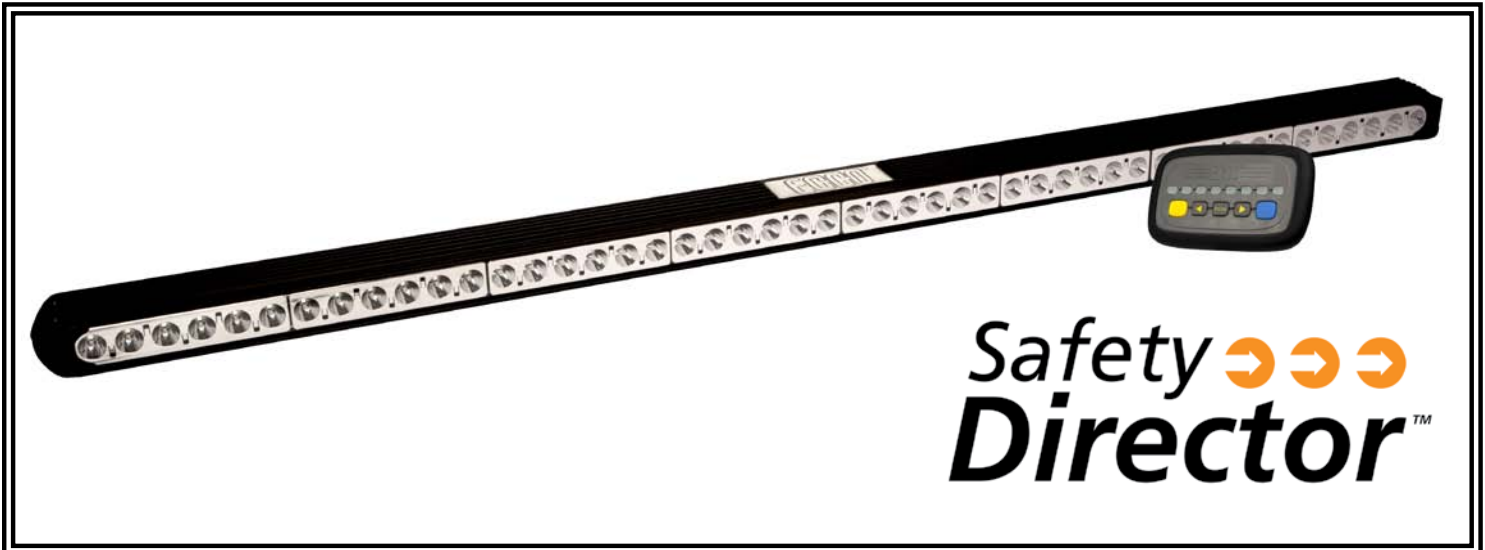




# Installation and Operation Instructions



**Safety** → → →  
**Director**™

The ECCO LED Safety Director™ is a compact high-intensity warning system designed to direct traffic approaching from the rear of a stationary vehicle. The compact light-stick design allows for unobtrusive interior or exterior mounting, either flush to the vehicle or using the provided mounting brackets. Inside the cab a modern, soft touch controller provides fingertip control of the Safety Director's eight built-in flash patterns and features an LED display that mimics the selected pattern in real time.



## **WARNING!**

Failure to install or use this product according to manufacturers recommendations may result in property damage, serious bodily/personal injury, and/or death to you and those you are seeking to protect!



## **Do not install and/or operate this safety product unless you have read and understand the safety information contained in this manual.**

1. Proper installation combined with operator training in the use, care, and maintenance of emergency warning devices are essential to ensure the safety of emergency personnel and the public.
2. Emergency warning devices often require high electrical voltage and/or current. Exercise caution when working with live electrical connections.
3. This product must be properly grounded. Inadequate grounding and/or shorting of electrical connections can cause high current arcing, which can cause personal injury and/or severe vehicle damage, including fire.
4. Proper placement and installation are vital to the performance of this warning device. Install this product so that output performance of the system is maximized and the controls are placed within convenient reach of the operator so that s/he can operate the system without losing eye contact with the roadway.
5. It is the responsibility of the vehicle operator to ensure daily that all features of this product work correctly. In use, the vehicle operator should ensure the projection of the warning signal is not blocked by vehicle components (i.e., open trunks or compartment doors), people, vehicles, or other obstructions.
6. The use of this or any other warning device does not ensure all drivers can or will observe or react to an emergency warning signal. Never take the right-of-way for granted. It is your responsibility to be sure you can proceed safely before entering an intersection, driving against traffic, responding at a high rate of speed, walking on or around traffic lanes.
7. This equipment is intended for use by authorized personnel only. The user is responsible for understanding and obeying all laws regarding warning signal devices. Therefore, the user should check all applicable city, state, and federal laws and regulations. The manufacturer assumes no liability for any loss resulting from the use of this warning device.

## Specifications:

Size:	Light stick:	48" x 4 1/2" x 2"
	Control box:	6" x 3 3/4" x 3/4"
Weight:	Light stick:	6 lb.
	Control box:	0.5 lb.
Current draw (12 VDC system):		3A MAX.

## Unpacking:

Carefully remove the unit and place it on a flat surface. Examine the unit for transit damage, etc. If the vehicle has an electrical system other than 12 Volts DC negative ground, contact your local representative or call the manufacturer for instructions.

## Installation & Mounting:

The SAFETY DIRECTOR was designed with a flexible mounting system which allows it to be mounted almost anywhere. For questions concerning a specific application call ECCO customer service.

Prior to mounting, consideration should be given to cable location. The cable should exit the endcap on the left side of the SAFETY DIRECTOR as you face the front of the lightbar. Reversed mounting will result in all of the flash patterns being reversed.

The mounting location should be chosen such that there is maximum visibility to the oncoming traffic.

**Horizontal Surface Mounting:** Refer to Figure 1 for the following instructions.

1. Place the lightbar on a flat surface, and install the mounting brackets on the rear of the bar with the supplied hardware as shown. Leave the hardware loose, so that the brackets are movable.
2. Place the lightbar in the selected location, and mark the hole locations. Adjust the mounting brackets as necessary.
3. Drill holes for 1/4" mounting hardware (user supplied).
4. Install the lightbar with the hardware and secure.

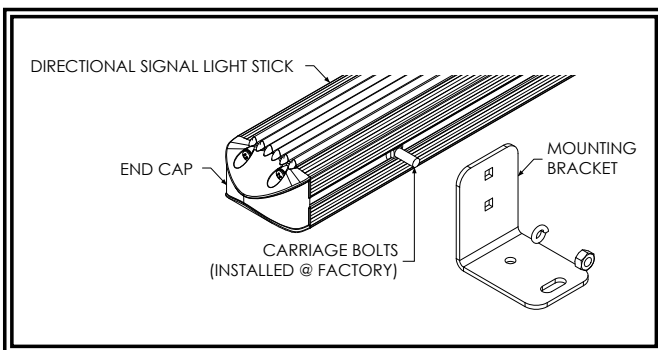


Figure 1

**Vertical Surface Mounting:** The Directional Signal light stick can be mounted directly to a vertical surface.

1. Determine the proper height for the lightbar, to ensure good visibility.
2. Drill the holes for the 1/4" carriage bolts, using the mounting bracket as a template for spacing. Make sure the holes are spaced evenly from the ends of the light bar, and at the same height.
3. Mount the light bar with the supplied hardware, and secure.

## Wire the Safety Director:

Wire the safety director into the vehicles's 12V system according to Figure 2. Provide a 5A fuse near the power take off. Use 16AWG wire or larger for the Red and Black wire connections. If the Auxiliary Output is not used, cap the orange wire from the Control Box. Route the lightbar cable from the Stick to the Control Box and plug them together.

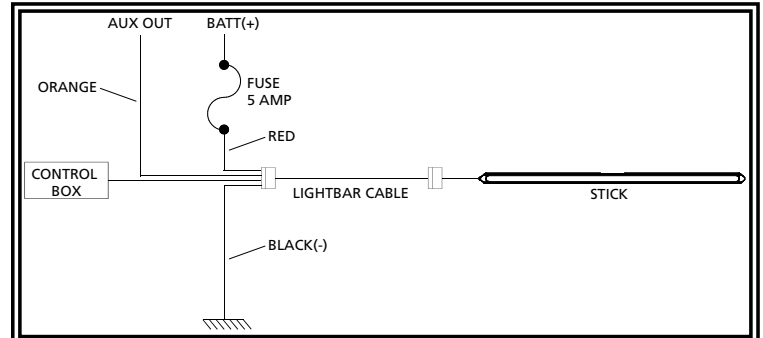


Figure 2

## Wiring for Auxiliary Output:

An auxiliary device, such as a beacon, lightbar, worklamp, etc. can be controlled by the "ALT" button of the control box. This device should not exceed 20A. Wire the relay that is provided into the system as shown in figure 3, making sure that the auxiliary device is properly wired and fused according to the manufacturer's requirements.

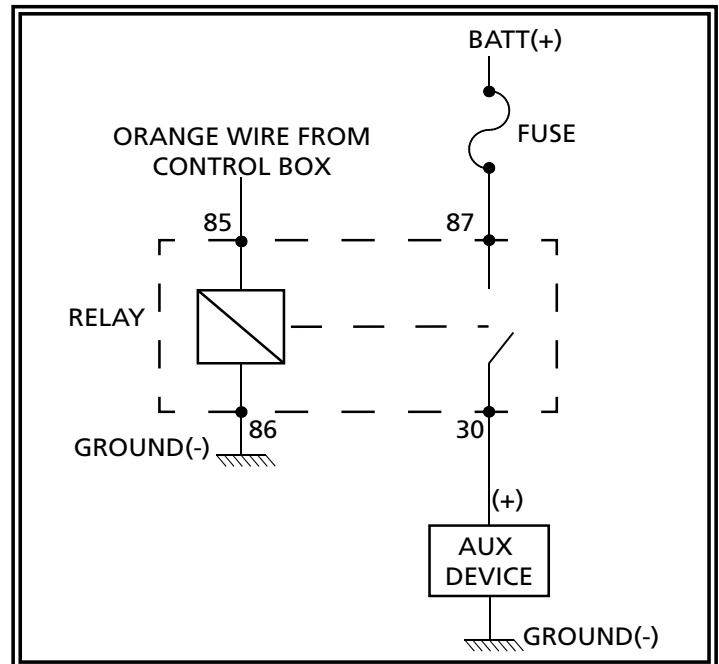


Figure 3

## Wiring Instructions:

### Notes:

1. Larger wires and tight connections will provide longer service life for components. For high current wires it is highly recommended that terminal blocks or soldered connections be used with shrink tubing to protect the connections. Do not use insulation displacement connectors (e.g., 3M Scotchlock type connectors). Route wiring using grommets and sealant when passing through compartment walls. Minimize the number of splices to reduce voltage drop.
2. High ambient temperatures (e.g., under-hood) will significantly reduce the current carrying capacity of wires, fuses, and circuit breakers. All wiring should conform to the minimum wire size and other recommendations of the manufacturer and be protected from moving parts and hot surfaces. Looms, grommets, cable ties, and similar installation hardware should be used to anchor and protect all wiring.
3. Fuses or circuit breakers should be located as close to the power takeoff points as possible and properly sized to protect the wiring and devices.
4. Particular attention should be paid to the location and method of making electrical connections and splices to protect these points from corrosion and loss of conductivity.
5. Ground termination should only be made to substantial chassis components, preferably, directly to the vehicle battery.
6. Circuit breakers are very sensitive to high temperatures and will "false trip" when mounted in hot environments or operated close to their capacity.



### CAUTION:

Disconnect the battery before wiring up the Directional Signal to prevent accidental shorting, arcing, and /or electrical shock.



### CAUTION:

This system must be connected to a separate, fused power point. Do not wire in parallel with any other accessory.

## Control Pad Mounting:

To mount the control pad with Velcro, separate the two circular halves, remove the backing and adhere one piece on the vehicle dashboard and adhere the other to the back of the controller. To mount the control pad using the swivel mount, first mount the swivel unit to the dashboard with either the supplied screws (note, the suction cup will not work after drilling screws through the swivel base) or by turning the lever at the base of the swivel unit to engage the suction cup. Push the controller onto swivel slide and press the control pad down onto the slide until it engages the slot in the control pad (see Figure 5). (You may need to turn the controller clockwise once engaged with the slide to tighten it.) Turn the dial on the swivel head to tighten it against the back of the control pad. Finally, loosen the hand screw on the swivel neck to adjust the angle of the control pad. Hold the pad in the desired position while tightening the hand screw on the swivel neck.

### Operation:

Press the left power button to turn the unit on/off. The left arrow button alternates between left arrow and left continuous arrow flash modes. The mode button alternates between center out, center out solid, wig wag, alternating, and alternating quad flash modes. The right arrow button alternates between right arrow and right continuous arrow flash modes. The ALT button is for the auxiliary control on/off. See Figure 4.

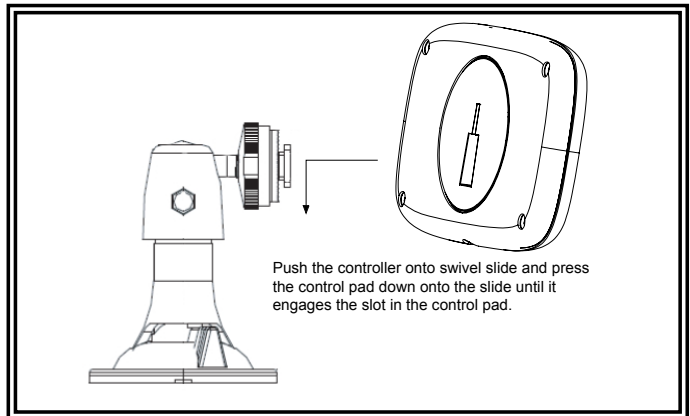


Figure 5

## Maintenance:

The Safety Director requires little routine maintenance. Occasional cleaning of the lenses is all that is required to maintain maximum light output. Use plain water and a soft cloth, or lens polish and a very soft paper towel or facial tissue. Since plastic scratches easily, cleaning is recommended only when necessary. Do not use solvents as they may damage the polycarbonate lens material.

If a problem does develop, refer to the Troubleshooting Guide.

## Troubleshooting Guide:

Symptom	Possible Cause
No functionality of Control Box or Stick	Main power fuse is blown, or poor connection
One Control Box LED blinks continuously	Poor connection between Control Box and Stick
One or more segments of Stick do not light	Stick is defective
Aux device will not turn on	Aux fuse is blown, or poor connection
Aux device will not turn off	Relay is shorted from excessive load current

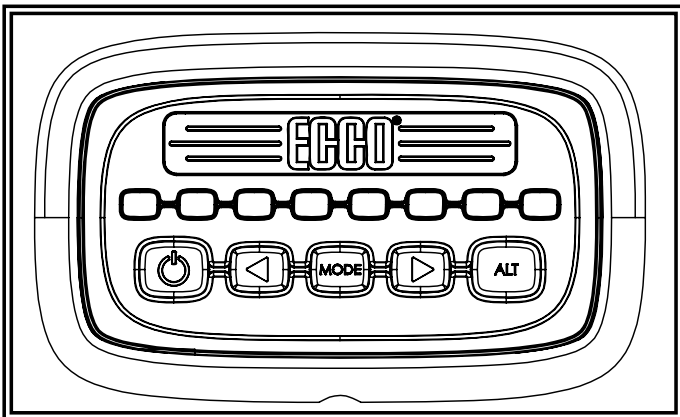
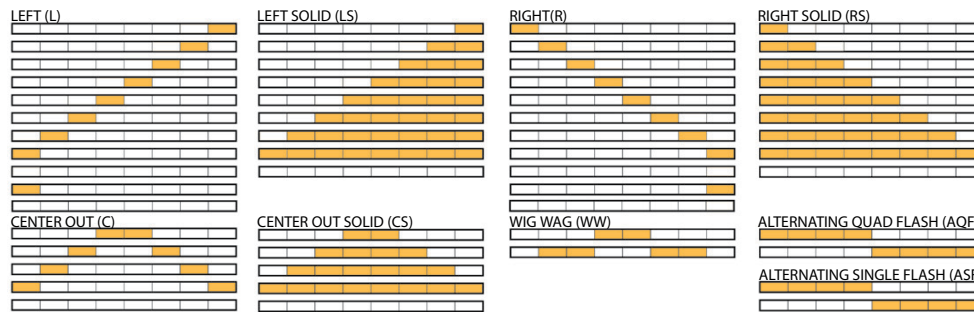


Figure 4

# Flash Patterns



## Manufacturer Limited Warranty and Limitation of Liability:

Manufacturer warrants that on the date of purchase this product will conform to Manufacturer's specifications for this product (which are available from the Manufacturer upon request), and Manufacturer further warrants that this product is free from defects in materials and workmanship. This Limited Warranty extends for 3 years. Other warranties may apply, call Manufacturer for details. Manufacturer will, at its discretion, repair or replace any product found by the Manufacturer to be defective and subject to this Limited Warranty.

DAMAGE TO PARTS OR PRODUCTS RESULTING FROM TAMPERING, ACCIDENT, ABUSE, MISUSE, NEGLIGENCE, UNAPPROVED MODIFICATIONS, FIRE OR OTHER HAZARD; IMPROPER INSTALLATION OR OPERATION; OR NOT BEING MAINTAINED IN ACCORDANCE WITH THE MAINTENANCE PROCEDURES SET FORTH IN MANUFACTURER'S INSTALLATION AND OPERATING INSTRUCTIONS VOIDS THIS LIMITED WARRANTY.

ORAL STATEMENTS OR REPRESENTATIONS ABOUT THE PRODUCT WHICH MAY HAVE BEEN MADE BY SALESPEOPLE, DEALERS, AGENTS OR OTHER MANUFACTURER'S REPRESENTATIVES DO NOT CONSTITUTE WARRANTIES. THIS LIMITED WARRANTY MAY NOT BE AMENDED, MODIFIED, OR ENLARGED EXCEPT BY A WRITTEN AGREEMENT SIGNED BY AN AUTHORIZED OFFICIAL OF MANUFACTURER WHICH EXPRESSLY REFERS TO THIS LIMITED WARRANTY.

### Exclusion of Other Warranties:

MANUFACTURER MAKES NO OTHER WARRANTIES, EXPRESS OR IMPLIED. THE IMPLIED WARRANTIES FOR MERCHANTABILITY OR FITNESS FOR A PARTICULAR PURPOSE ARE HEREBY EXCLUDED AND SHALL NOT APPLY TO THE PRODUCT. BUYER'S SOLE AND EXCLUSIVE REMEDY IN CONTRACT, TORT, OR UNDER ANY OTHER THEORY AGAINST MANUFACTURER REGARDING THE PRODUCT AND ITS USE SHALL BE THE REPLACEMENT OR REPAIR OF THE PRODUCT AS DESCRIBED ABOVE.

### Limitation of Liability:

IN THE EVENT OF LIABILITY FOR DAMAGES ARISING OUT OF THIS LIMITED WARRANTY OR ANY OTHER CLAIM RELATED TO THE MANUFACTURER'S PRODUCTS, MANUFACTURER'S LIABILITY FOR DAMAGES SHALL BE LIMITED TO THE AMOUNT PAID FOR THE PRODUCT AT THE TIME OF THE ORIGINAL PURCHASE. IN NO EVENT SHALL MANUFACTURER BE LIABLE FOR LOST PROFITS, THE COST OF SUBSTITUTE EQUIPMENT OR LABOR, PROPERTY DAMAGE, OR OTHER SPECIAL, CONSEQUENTIAL, OR INCIDENTAL DAMAGES BASED UPON ANY CLAIM FOR BREACH OF CONTRACT, IMPROPER INSTALLATION, NEGLIGENCE, OR OTHER CLAIM, EVEN IF MANUFACTURER OR A MANUFACTURER'S REPRESENTATIVE HAS BEEN ADVISED OF THE POSSIBILITY OF SUCH DAMAGES. MANUFACTURER SHALL HAVE NO FURTHER OBLIGATION OR LIABILITY WITH RESPECT TO THE PRODUCT OR ITS SALE, OPERATION AND USE, AND MANUFACTURER NEITHER ASSUMES NOR AUTHORIZES THE ASSUMPTION OF ANY OTHER OBLIGATION OR LIABILITY IN CONNECTION WITH SUCH PRODUCT.

This Limited Warranty defines specific legal rights. You may have other legal rights which vary from state to state. Some states do not allow the exclusion or limitation of incidental or consequential damages.



833 West Diamond St  
Boise, Idaho 83705  
**Customer Service**  
USA 800.635.5900  
UK + (0)113 237 5340  
AUS +61 (0)3 63322444  
www.eccogroup.com