



TRUCK AND VAN EQUIPMENT

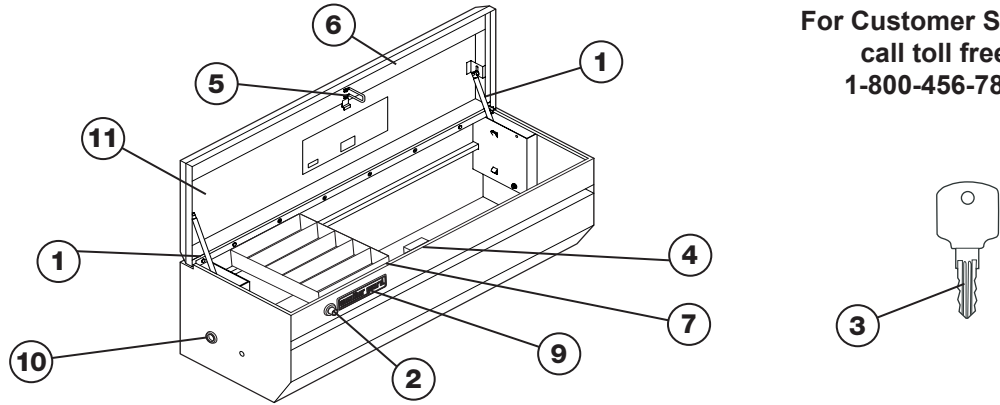
REPLACEMENT PARTS

STEEL & ALUMINUM ALL-PURPOSE CHEST
MODELS 644-0-01 THRU 685-3-01

FOR REPLACEMENT PARTS GO TO WWW.WEATHERGUARD.COM

For Customer Service
call toll free:
1-800-456-7865

Parts service current models listed below as Model#-Color-01 Series which began in 2005.



ITEM	PART No.	DESCRIPTION	FITS MODEL #
1	7095-2PK	Gas Springs	644-0-01, 644-5-01, 645-3-01, 645-5-01, 654-0-01, 654-5-01, 655-3-01, 664-0-01, 664-5-01, 674-0-01, 674-5-01, 675-3-01
1	7096-2PK	Gas Springs	665-3-01, 665-5-01
1	7902-2PK	Gas Springs	684-0-01, 684-5-01
1	7904-2PK	Gas Springs	685-3-01
2	7748-1PK	EXTREME PROTECTION™ Replacement Lock (Single lock with key, no specific key code)	All Model#-Color-01 Series Chests. Specific key codes can be ordered from a distributor.
3	7750-XX	Key Replacement (XX = key code) (2 keys)	For retracting style Red Pushbutton locks
4	7731	Latch & Striker Kit (1 latch, 1 striker, & mounting hardware)	All Model#-Color-01 Series Chests
5	7106-1PK	Striker Kit (1 Striker and mounting hardware)	All Model#-Color-01 Series Chests
6	7730	Weather Strip Kit (various styles for 1 box)	All Chests
7	615	Tray (1 tray plus dividers) <i>*Dividers not sold separately</i>	654-0-01, 654-5-01, 655-3-01, 664-0-01, 664-5-01, 665-3-01, 665-5-01, 674-0-01, 674-5-01, 675-3-01
7	617	Tray (1 tray plus dividers)	684-0-01, 684-5-01, 685-3-01
8	7736	Mounting Kit (Not shown)	All Model#-Color-01 Series Chests
9	7746	Nameplate Kit (3 stickers, 2 side bezels, 1 front bezel & rivets)	All Model#-Color-01 Series Chests
10	7749	Grommet Kit	All Model#-Color-01 Series Chests
11	7798-0*	Cover	644-0-01
11	7798-5*	Cover	644-5-01
11	7799-0*	Cover	654-0-01
11	7799-5*	Cover	654-5-01
11	7800-0*	Cover	664-0-01
11	7800-5*	Cover	664-5-01
11	7808-0*	Cover	674-0-01
11	7808-5*	Cover	674-5-01
11	7809-0*	Cover	684-0-01
11	7809-5*	Cover	684-5-01
11	7933-3	Cover	645-3-01
11	7934-3	Cover	655-3-01
11	7935-3	Cover	665-3-01
11	7935-5	Cover	665-5-01
11	7936-3	Cover	675-3-01
11	7937-3	Cover	685-3-01
11	7942-0*	Cover	644-0-01
11	7942-5*	Cover	644-5-01
11	7943-0*	Cover	654-0-01
11	7943-5*	Cover	654-5-01
11	7944-0*	Cover	664-0-01
11	7944-5*	Cover	664-5-01
11	7945-0*	Cover	674-0-01
11	7945-5*	Cover	674-5-01
11	7946-0*	Cover	684-0-01
11	7946-5*	Cover	684-5-01
12	7742	Latch Rod Kit (Not shown)	644-0-01, 644-5-01, 645-3-01, 645-5-01
12	7743	Latch Rod Kit (Not shown)	654-0-01, 654-5-01, 655-3-01
12	7744	Latch Rod Kit (Not shown)	664-0-01, 664-5-01, 665-3-01, 665-5-01, 684-0-01, 684-5-01, 685-3-01
12	7745	Latch Rod Kit (Not shown)	674-0-01, 674-5-01, 675-3-01

* Check Serial Number on product to get the proper cover. All product with Serial Number 052351XXXX use 7900 series covers. All product with Serial Number 052341XXXX and below use 7700 or 7800 series covers.

NOTE: Covers include Weather Strip, Striker Loop Plate, Wireform Striker, Bolt Kit, Taptite® Screws, Hinge, and Instruction Sheet.

Please note, in the model numbers above: 0 = Clear, 3 = White, 5 = Black. XX = Key Code.