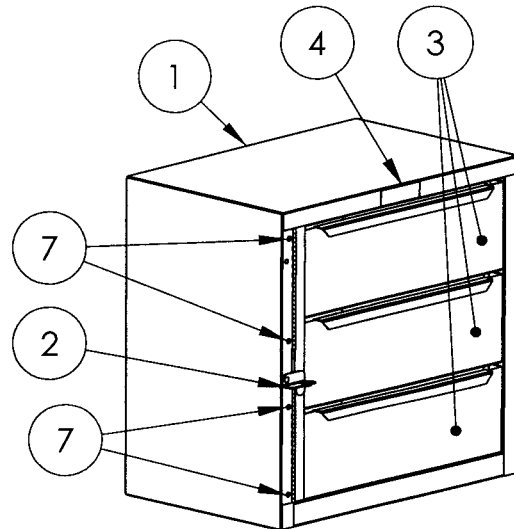
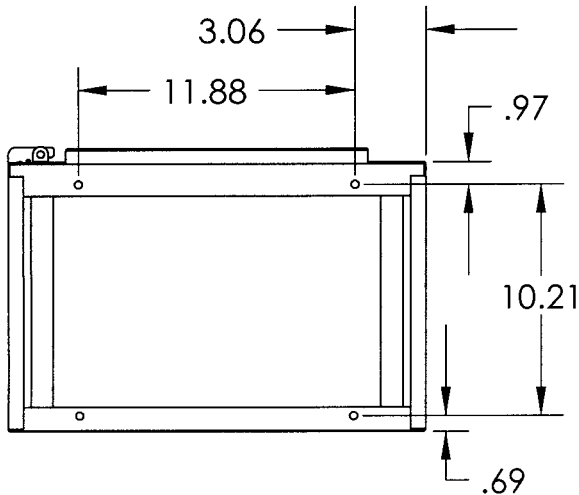
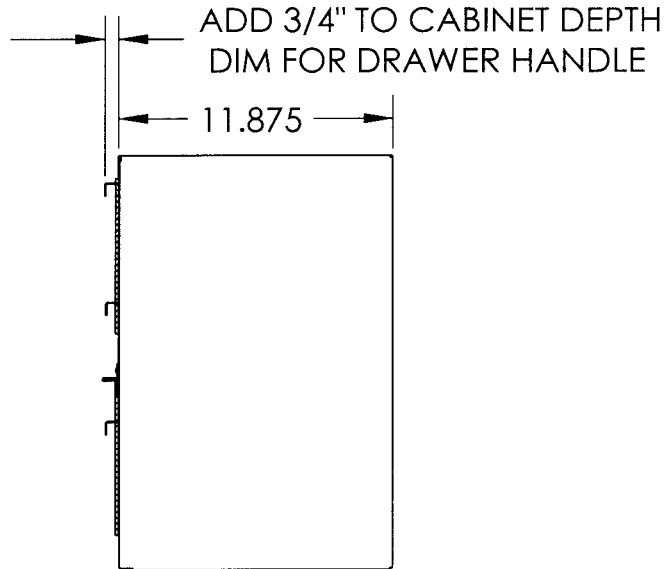
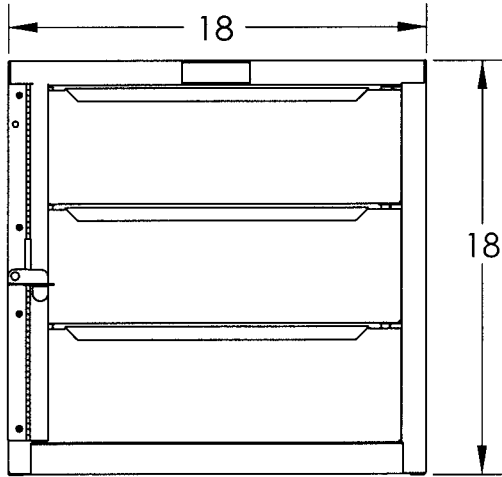


ITEM NO.	PART NUMBER	DESCRIPTION	QTY
1	03836-0	WELDMENT, #8 CABINET (16640)	1
2	09233-0	HINGE, LOCK #8 CABINET	1
3	16536-0	DRAWER, #8, 1PC, 5x12x16	3
4	LOGO-SM	.875"X3.0"ADRIAN STEEL LO	1
5	BAG0002-0	#2 BAG FOR #12, 38, 43, 51, CBS #7	1
6	CRT03846-0	CARTON #8 / SPECIAL PKG	1
7	FAS0736	Rivet, Blind, Buttonhead, 1/8x.125 Grip, Alum	4



CHECK ALIGNMENT AND SMOOTHNESS OF DRAWER OPERATION. CORRECT AS REQ'D

printed document is uncontrolled

Sheet 1 of 1

for reference only!

REVISION LEVEL: **C**

Part Number: **8**

THIS PRODUCT IS SUBJECT TO CHANGE. ADRIAN STEEL COMPANY RESERVES THE RIGHT TO CHANGE THE PRODUCT OF IT'S DESIGN WITHOUT PRIOR NOTICE.  THIS DRAWING IS THE PROPERTY OF ADRIAN STEEL COMPANY AND IS NOT TO BE USED IN ANY MANNER DETRIMENTAL TO THE INTERESTS OF ADRIAN STEEL COMPANY.	Shipping Wt. (Lbs.): <b>30.7</b>	<b>ADRIAN STEEL</b> VAN AND PICKUP EQUIPMENT 906 James St. Adrian, MI 49221 517.265.6194
	Coating/Finish: <b>GrayPwdct</b>	
Do Not Scale This Drawing!		
Part Description: <b>CABINET ASM, #8, 3-DRW MED</b>	Part Number: <b>8</b>	REVISION LEVEL: <b>C</b>