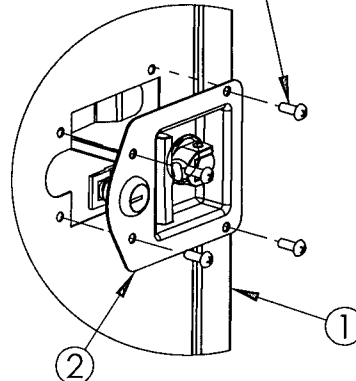


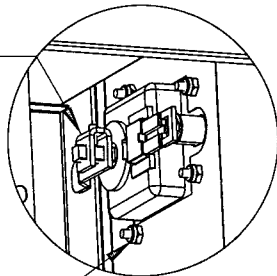
ITEM NO.	PART NUMBER	DESCRIPTION	12/QTY.
1	10068-0	CABINET SUB-ASM, #12, (3862)	1
2	21000-0	Folding T-Handle	1
3	BAG0002-0	#2 BAG FOR #12, 38, 43, 51, CBS #7	1
4	CRT03862-0	CARTON #12 / SPECIAL PKG	1
5	CRT03862-A	CARTON, PAD FOR #12	1
6	12B	SHELF PANEL (#12 CABINET)	1

FAS0021
SCREW, RHP, #10-24UNC X 1/2"
QTY = 4



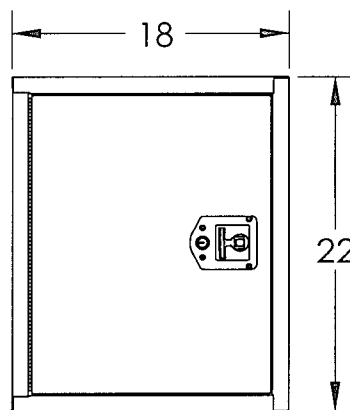
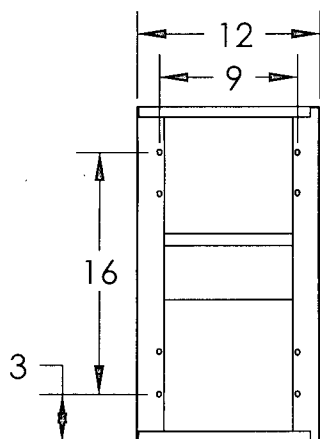
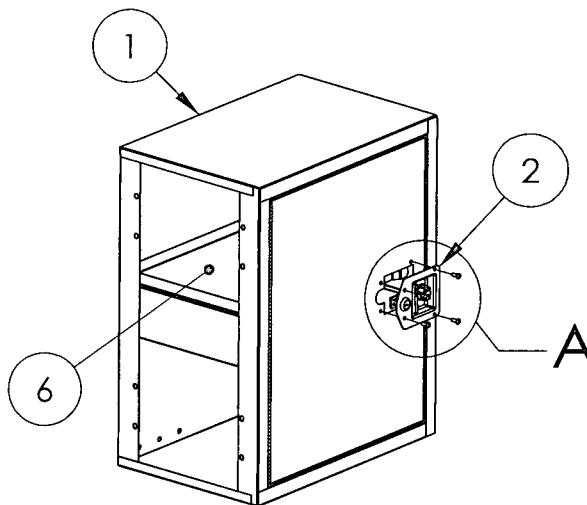
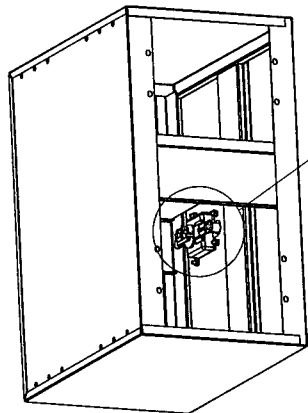
DETAIL A
SCALE 1 : 4

LATCH PAWL, ADJUST POSITION
AS REQ'D
SECURE w/SETSCREWW, #8-32x1/2"



DETAIL B
SCALE 1 : 4

FAS0029
NUT, NYLON LOCK, #10-24UNC
QTY = 4



PRINTED DOCUMENT IS UNCONTROLLED

Sheet 1 of 1

THIS PRODUCT IS SUBJECT TO CHANGE.
ADRIAN STEEL COMPANY RESERVES THE RIGHT TO
CHANGE THE PRODUCT OF IT'S DESIGN WITHOUT
PRIOR NOTICE.

THIS DRAWING IS THE PROPERTY OF ADRIAN STEEL COMPANY
AND IS NOT TO BE USED IN ANY MANNER DETRIMENTAL TO
THE INTERESTS OF ADRIAN STEEL COMPANY.

Shipping Wt. (Lbs.):
21.257

Coating/Finish: **GrayPwcdt**

Do Not Scale This Drawing!

ADRIAN STEEL
VAN AND PICKUP EQUIPMENT
906 James St.
Adrian, MI 49221
517.265.6194

Part Description: **CABINET 12 X 22 X 18**

Part Number: **12**

REVISION LEVEL:

C

FOR REFERENCE ONLY!

Part Number: **12**

REVISION LEVEL: **C**