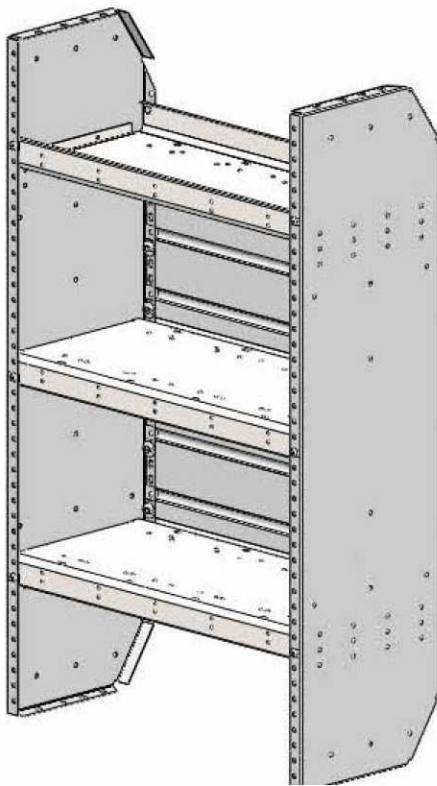


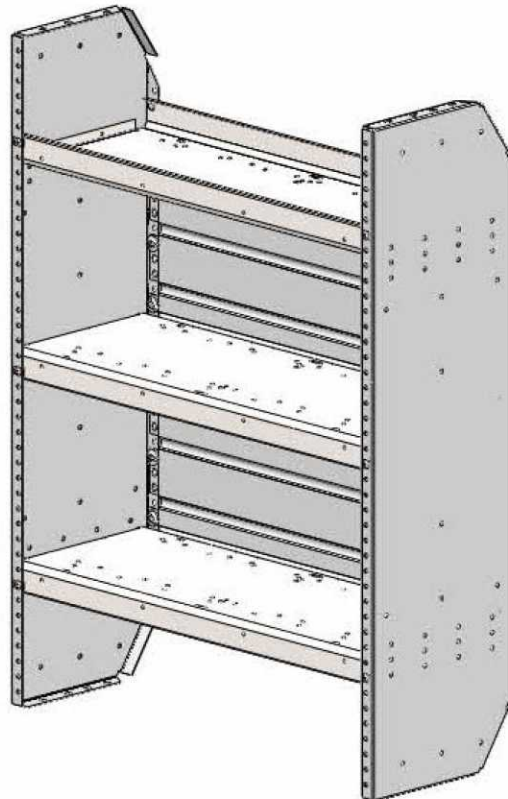
Introduction / Comments:

12DX26WX44H AND 12DX32WX44H SHELF ASSEMBLY. These units are designed for the 2014 Transit Connect only. You can install (1) AD1226TC or (1) AD1232TC14 unit on either side using Rail Kit RKTC14, or (2)AD1232TC14 units per side using Rail Kit RKDTC14. Long Wheel Base Only ref Assembly Instructions 46482. It will not work in any other applications without modifications.

Note: It is advised that all fasteners used in this assembly and installation should be checked for tightness at the following intervals: @ 2-weeks and again @ 6-weeks of operation. This preventive maintenance step must be completed to ensure your Product gives you long service life.



AD1226TC14



AD1232TC14

NOTE: WHEN INSTALLING UNITS ON STREET SIDE. REMOVE JACK AND ASSOCIATED EQUIPMENT AND STOW. REMEMBER TO REPLACE COVER ON TRIM BEFORE MOUNTING SHELVING.

AD1226TC14, AD1232TC14

- PRECAUTIONS -



**THE USE OF AIR IMPACT TOOLS CAN
OVER-TORQUE FASTENERS AND
CAUSE FASTENER FAILURE!**



**ALL INSTALLATION HOLES SHOULD BE SEALED
WITH SILICON OR BUTYL SEALANT TO PREVENT
EXHAUST FUMES FROM ENTERING THE VEHICLE!**



**INSPECT FOR FUEL TANK, FUEL LINES, BRAKE LINES, HIGH
VOLTAGE BATTERIES AND ELECTRICAL LINES PRIOR TO
DRILLING TO AVOID DAMAGING CRITICAL VEHICLE SYSTEMS
OR INJURY TO INSTALLER DURING INSTALLATION PROCESS!**



**TO AVOID DAMAGING THE VEHICLE ALWAYS
USE DRILL STOPS WHEN DRILLING ANY IN-
STALLATION HOLES!**



- IMPORTANT WARRANTY REQUIREMENTS -

1. SUBSTITUTING ADRIAN STEEL SPECIFIED FASTENERS FOR ASSEMBLY AND/OR INSTALLATION WILL VOID YOUR PRODUCT WARRANTY.
2. ALL HOLES DRILLED INTO VEHICLE SHOULD HAVE THE RAW METAL EDGES SEALED WITH A SELF-ETCHING PRIMER TO RESIST CORROSION AND POTENTIAL FASTENER POINT FAILURE.
3. ALL FASTENERS USED IN THE INSTALLATION OF THIS PRODUCT SHOULD BE TIGHTENED TO THE TORQUE(S) SPECIFIED IN THESE INSTRUCTIONS.
4. THESE INSTRUCTIONS SHOULD BE KEPT WITH THE VEHICLE.

THE BASIC TOOLS NEEDED FOR MOST INSTALLATIONS



DRILL



DRILL BIT WITH
STOP



RATCHET, SOCKETS
AND/OR WRENCHES



SCREWDRIVERS



MEASURING TAPE

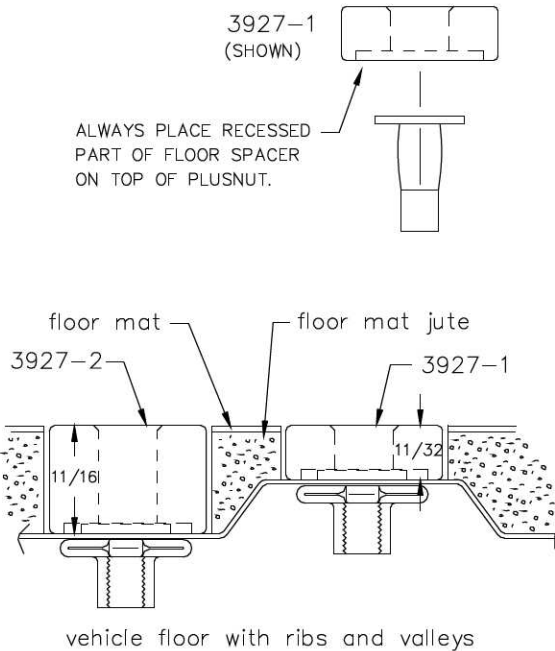
ADDITIONAL TOOLS MAY BE NEEDED FOR THIS INSTALLATION AND THEY WILL BE IDENTIFIED IN THE STEPS THAT FOLLOW.

If your vehicle contains carpet or a rubber floor mat you will need to prepare the mounting location. Position the product to be installed into the vehicle and once you are satisfied with the mounting locations, mark the mounting locations. Using a 1-3/16" diameter carpet cutter (P/N: 31183-0). Select the appropriate floor spacers as shown in the illustration. Set those aside for use later into the installation process.

Using the correct drill bit size for the selected plusnut, drill the mounting holes in the vehicle sheet metal to prepare for installing the plusnuts.

If you are thru-bolting at any of the locations simply drill a hole that is 1/16" larger than the bolt size(s) for those locations.

Once you have drilled the holes into the vehicle, the raw metal edges should be sealed using a self-etching primer to resist corrosion and potential fastener point failure.



A PLUSNUT (RIVNUT) SETTING TOOL IS REQUIRED FOR PLUSNUT (RIVNUT) INSTALLATION AND IS SUPPLIED WITH THIS KIT. OR USE AN AIR POWERED PLUSNUT SETTING GUN.

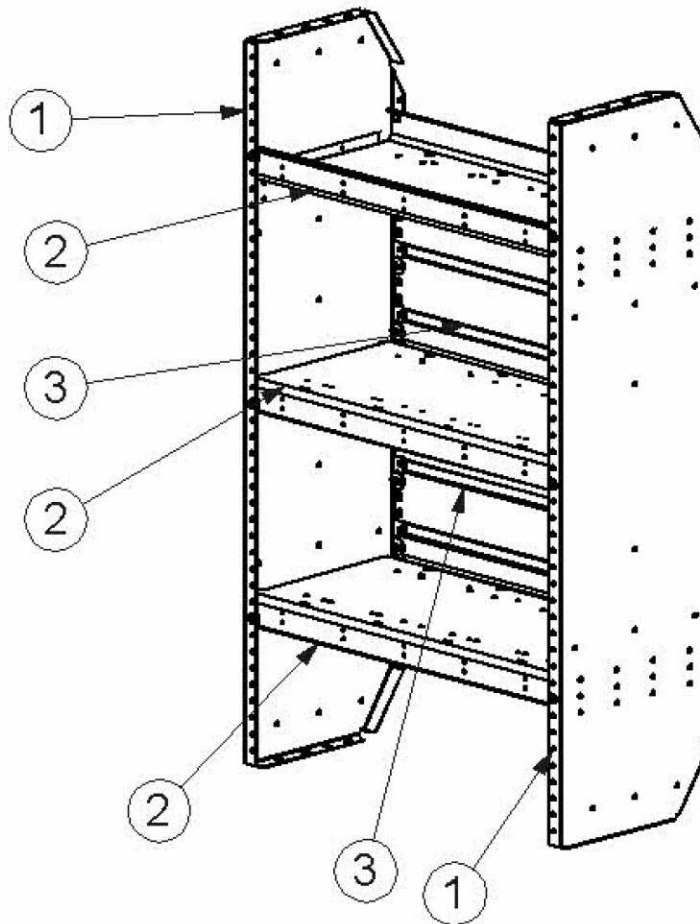
1/4-20UNC Plusnut (FAS0052) Use 3/8" dia. drill w/stop
 FAS0080 SCREW, HXHD, 1/4-20UNCx2.00", G8
 FAS0067 WASHER, FLAT, 1/4"ID
 22200-0 PLUSNUT TOOL

5/16-18UNC Plusnut (FAS0091) Use 1/2" dia. drill w/stop
 FAS0095 SCREW, HXHD, 5/16-18UNCx2.00", G8
 FAS0086 WASHER, FLAT, 5/16"ID
 22200-0 PLUSNUT TOOL

Place barrel of the plusnut body in sheet metal thru hole until flange is flush with sheet metal.
 Using a 9/16" combination wrench of plusnut tool body and a second hand wrench, ratchet, or air tool, rotate the hex bolt head CW to draw plus nut flanges up (set the plusnut).

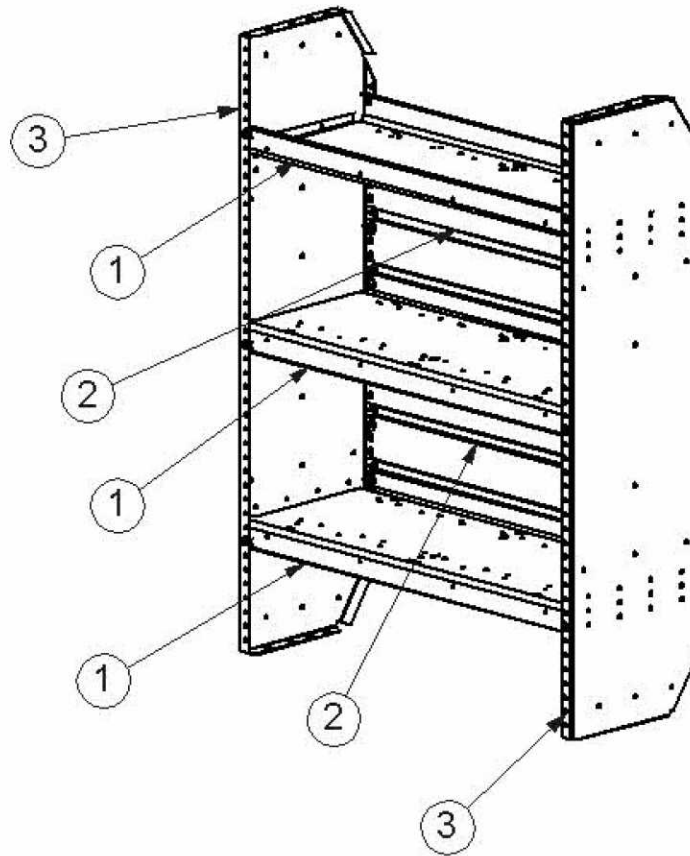
AD1226TC14

ITEM NO.	PART NUMBER	DESCRIPTION	QTY.
1	EP1244TC14	12X44 END PANEL, TC, 2014	2
2	44367-G	12X26 PAINTED SHELF ASS'Y	3
3	38755-G	BACK PANEL 26",PAINTED	2



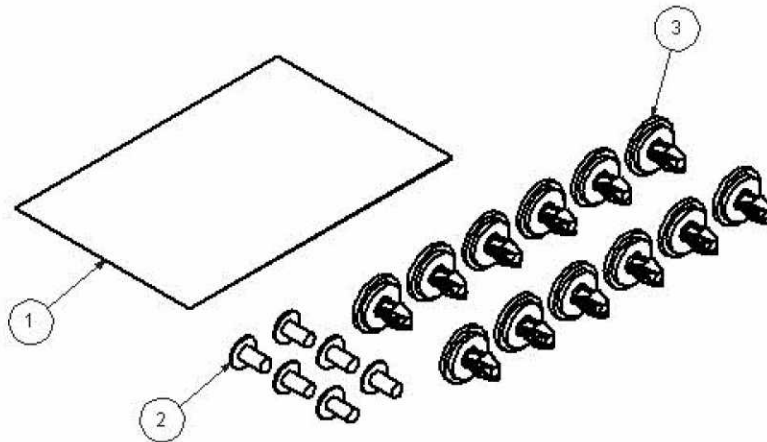
AD1232TC14

ITEM NO.	PART NUMBER	DESCRIPTION	QTY.
1	44369-G	12x32 PAINTED SHELF ASS'Y	3
2	35318-G	BACK PANEL 32",PAINTED	2
3	EP1244TC14	12X44 END PANEL, TC, 2014	2

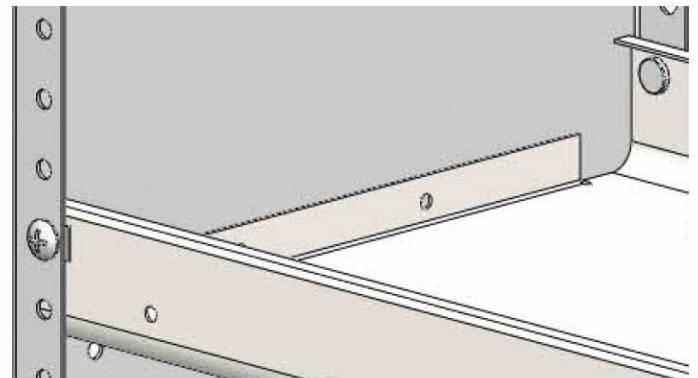
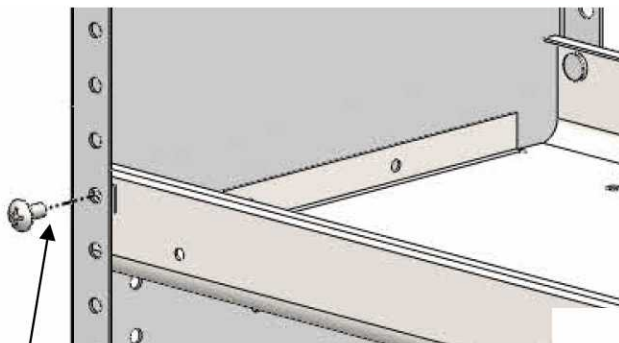
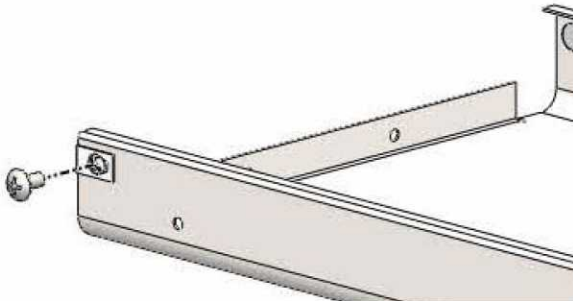
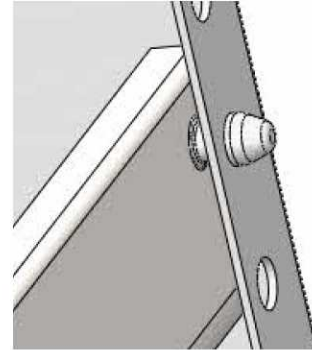
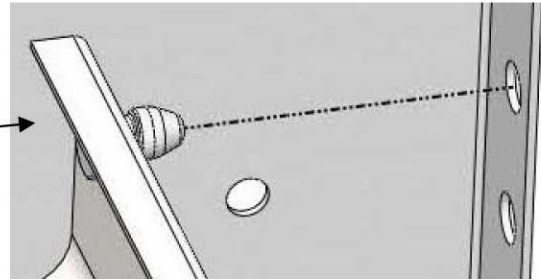
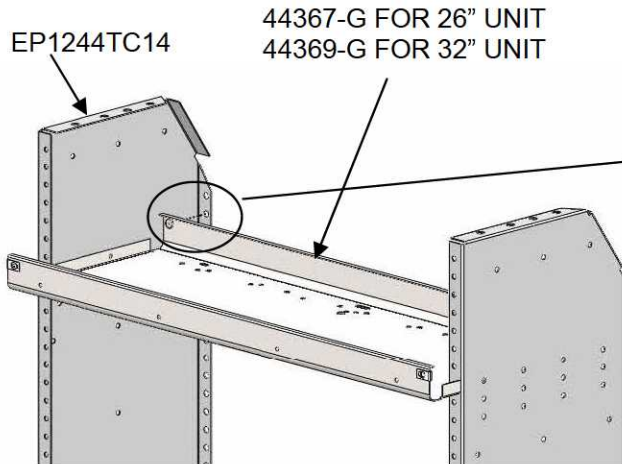


BAGADXXFP FASTENER BAG

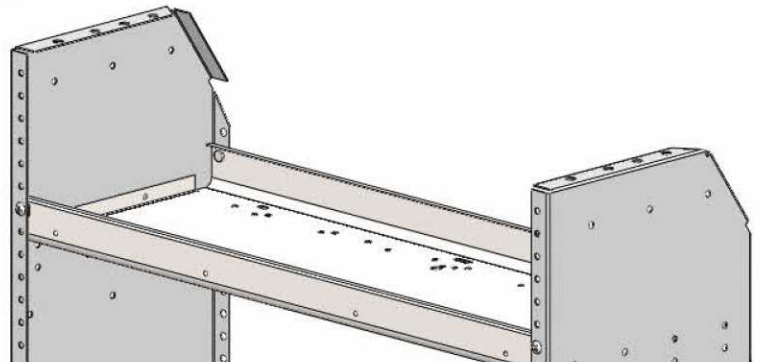
ITEM NO.	PART NUMBER	DESCRIPTION	BAGADXXFP/QTY.
1	BAG0406-A	4" X 6" 3MIL AUTOBAG	1
2	FAS0061	Screw, Truss Hd. Ph, 1/4-20x0.50	6
3	FAS0712	RIVET AND WASHER ASSEMBLY	12



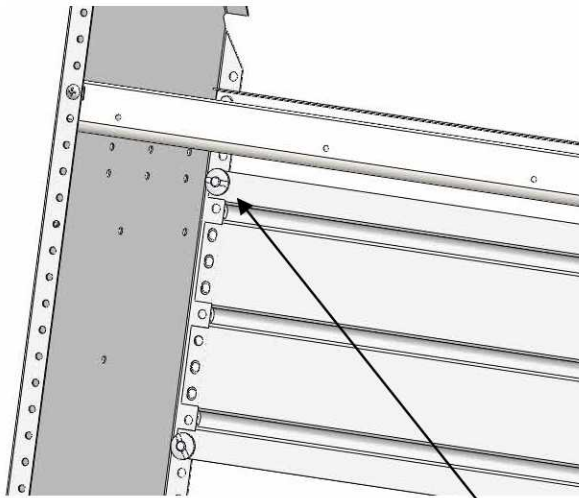
STEP 1 FOR AD1226TC14 ASSEMBLE 44367-G 12X26 SHELF
TO EP1244TC14 END PANELS
FOR AD1232TC14 ASSEMBLE 44369-G 12X32 SHELF
TO EP1244TC14 END PANELS
TOP SHELF SHOWN LIP UP



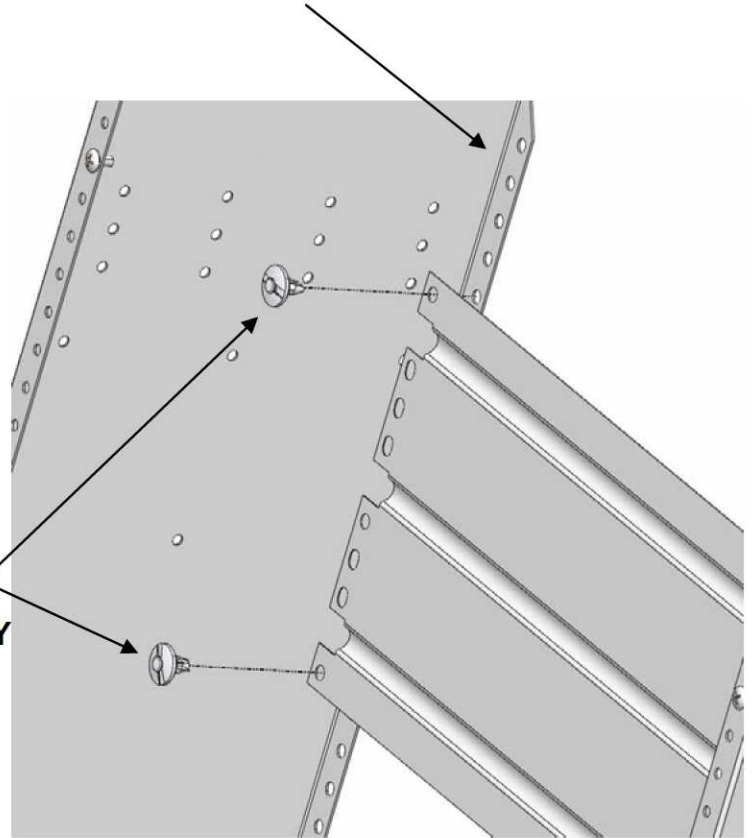
SECURE USING A FAS0061,
1/4-20 SCREW INTO BOTH END PANELS



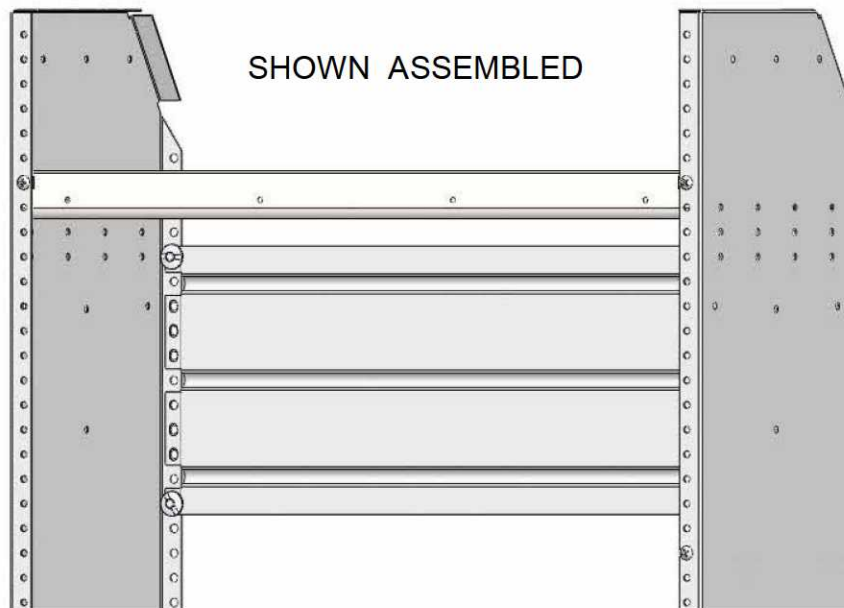
**STEP 2 ASSEMBLE 38755-G 26" BACK PANEL FOR AD1226TC14 OR
35318-G 32" BACK PANEL FOR AD1232TC14
TO EP1244TC14 END PANELS**



SHOWN WITHOUT SHELF FOR CLARITY



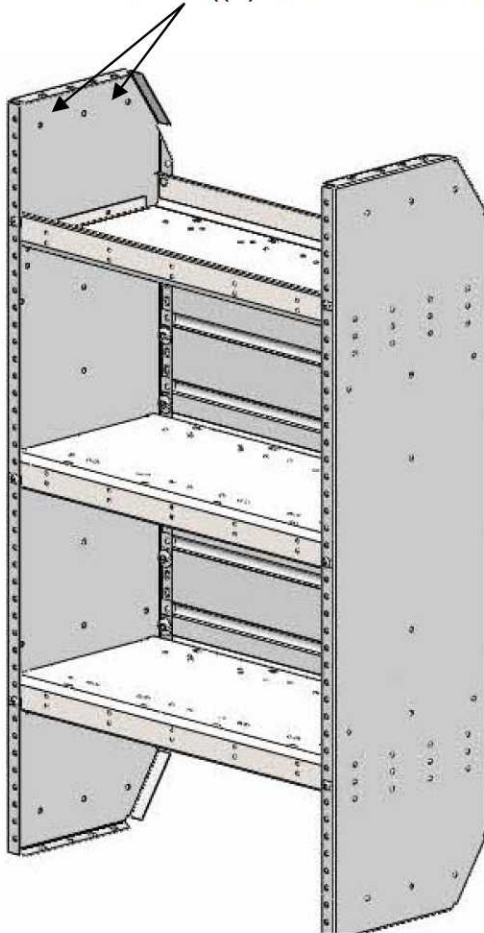
**38755-G 26" BACK PANEL
OR 35318-G 32" BACK PANEL TO
EP1244TC14 AS SHOWN USING
(2) FAS0712 RIVET WASHER ASSEMBLY
PUSH INTO HOLE TO SECURE**



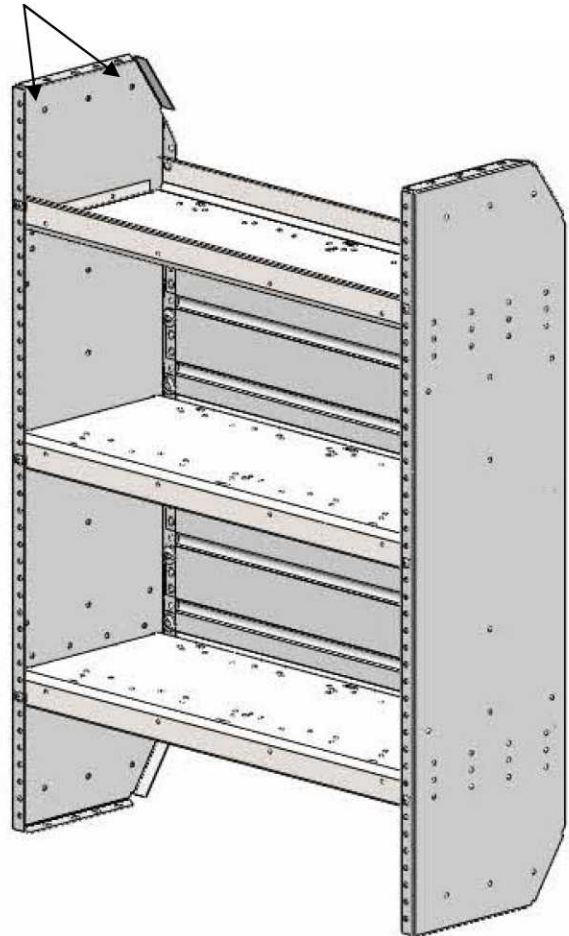
SHOWN ASSEMBLED

**STEP 3 ASSEMBLE OTHER TWO SHELVES AND REMAINING BACK PANEL
EACH UNIT HAS 3 SHELVES AND 2 BACK PANELS. SHELVES AND BACK
PANELS ARE ADJUSTABLE TO SUIT CUSTOMERS NEEDS.**

IF USING (2) AD1226TC14'S OR (2) AD1232TC14'S
FASTEN TOGETHER AT TOP WITH (2) FAS0018 1/4-20 SCREWS
AND ((2) FAS0055 1/4-20 LOCK NUTS IN HOLES SHOWN



AD1226TC14



AD1232TC14

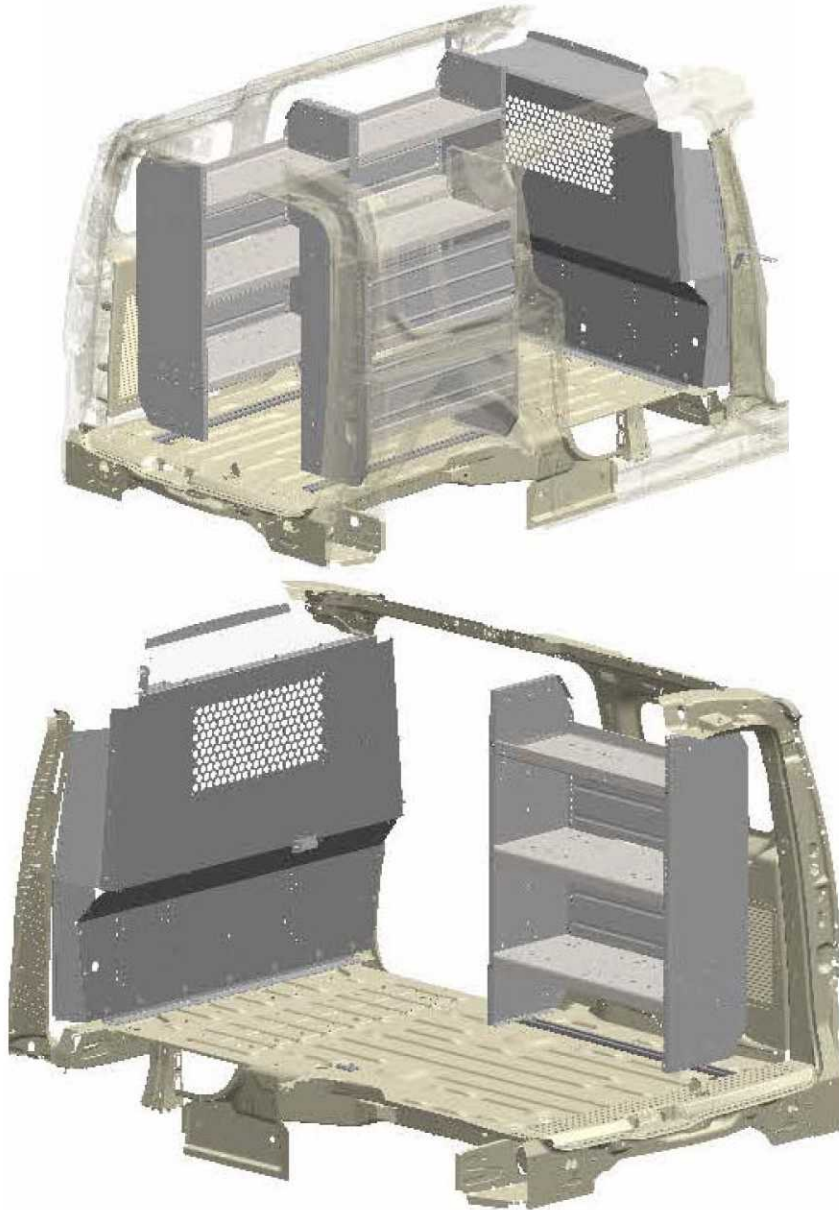
**DOUBLE CHECK ALL FASTENER LOCATIONS TO BE SURE THAT ALL
FASTENERS ARE TIGHTENED TO SPECIFICATIONS.**

YOUR INSTALLATION IS NOW COMPLETE!

STOW THIS COPY IN THE VEHICLE FOR FUTURE REFERENCES!

YOUR INSTALLATION IS NOW COMPLETE

For Installation into Transit Connect .
See 46482 Rail Kit Instructions



**DOUBLE CHECK ALL FASTENER LOCATIONS TO BE SURE THAT ALL
FASTENERS ARE TIGHTENED TO SPECIFICATIONS.
YOUR INSTALLATION IS NOW COMPLETE!
STOW THIS COPY IN THE VEHICLE FOR FUTURE REFERENCES!**