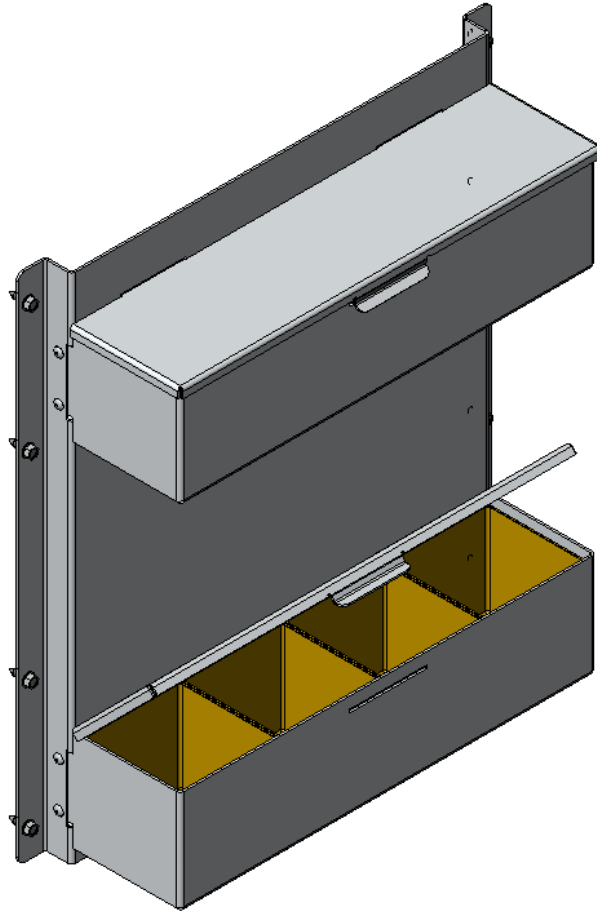


# INSTALLATION GUIDE

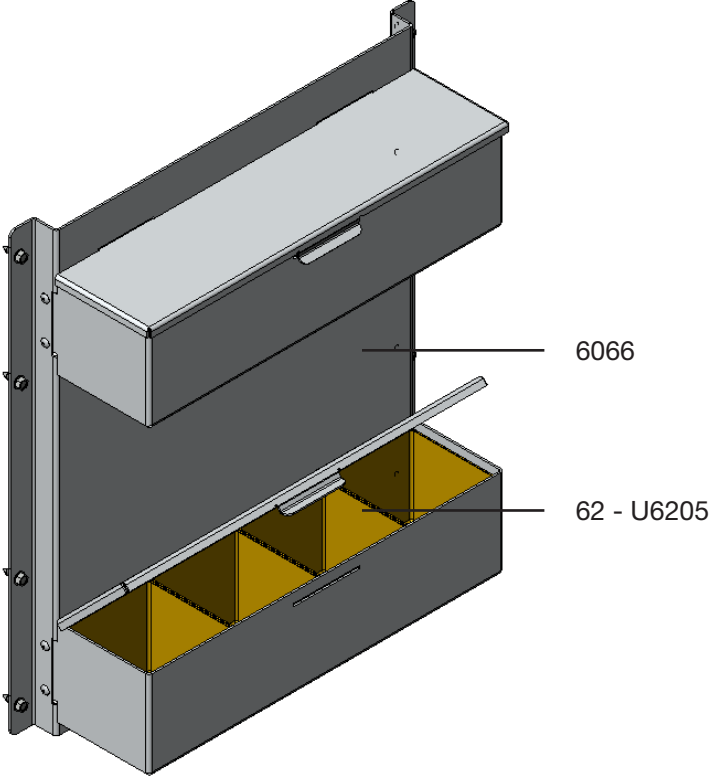


## 6066 Pocket Holder

# PHASE 1 – ASSEMBLY

## 1.1 SETUP

1.1.1 Unpack components; compare with the bill of materials.



1.1.2 Verify all parts are present.

### BILL OF MATERIALS

| Item No.   | Description       | Qty. |
|------------|-------------------|------|
| 6066       | Pocket Holder     | 1    |
| 62 - U6205 | Inner Plastic Bin | 8    |
| 90 - 7025  | Fastener Kit      | 1    |