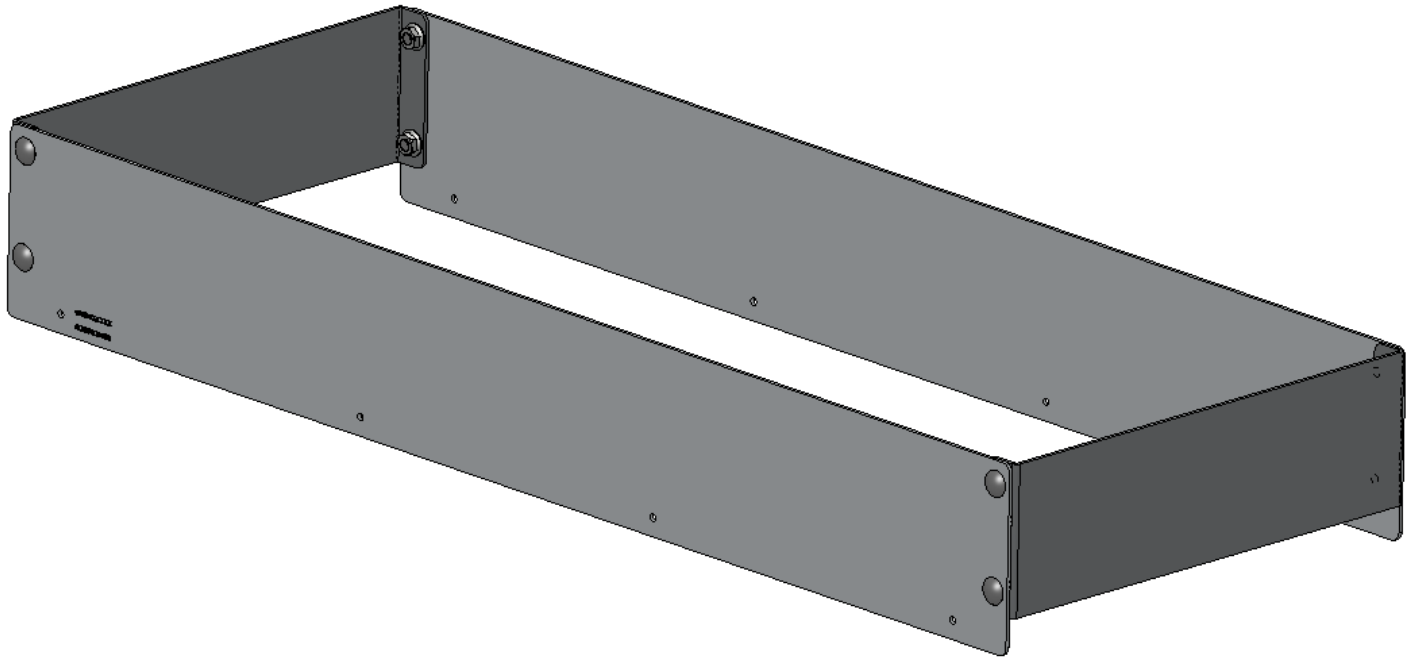


# QUICK START GUIDE

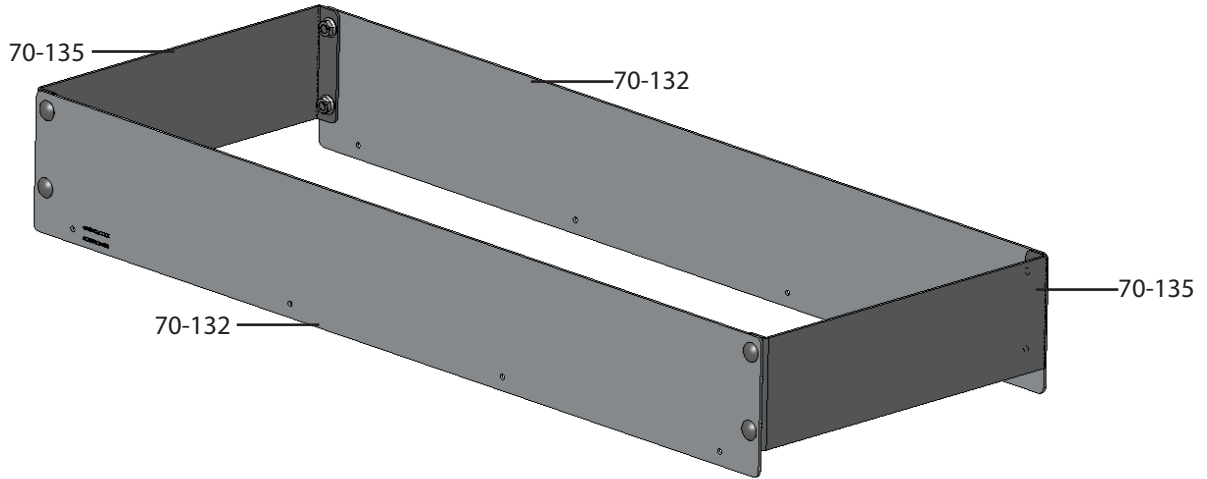


5052 Tool Drawer for Cargo Vans, Top Edge

# PHASE 1 – ASSEMBLY

## 1.1 SETUP

1.1.1 Unpack components; compare with the bill of materials.



1.1.2 Verify all parts are present.

### BILL OF MATERIALS

Item No.	Description	Qty.
70-132	Side plate, 35", top edge	2
70-135	End plate, 13-1/2", top edge	2
90-5024	Fastener Kit	1

1.1.3 Fastener kits.

